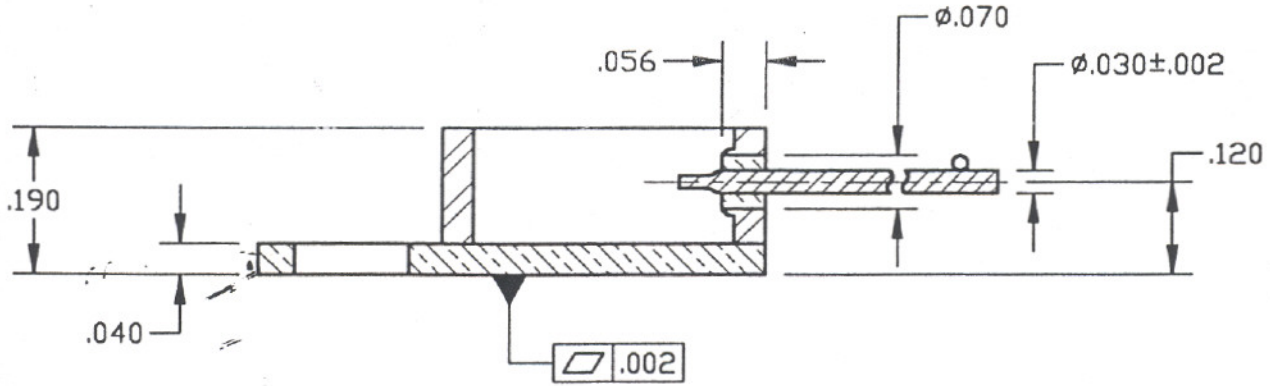
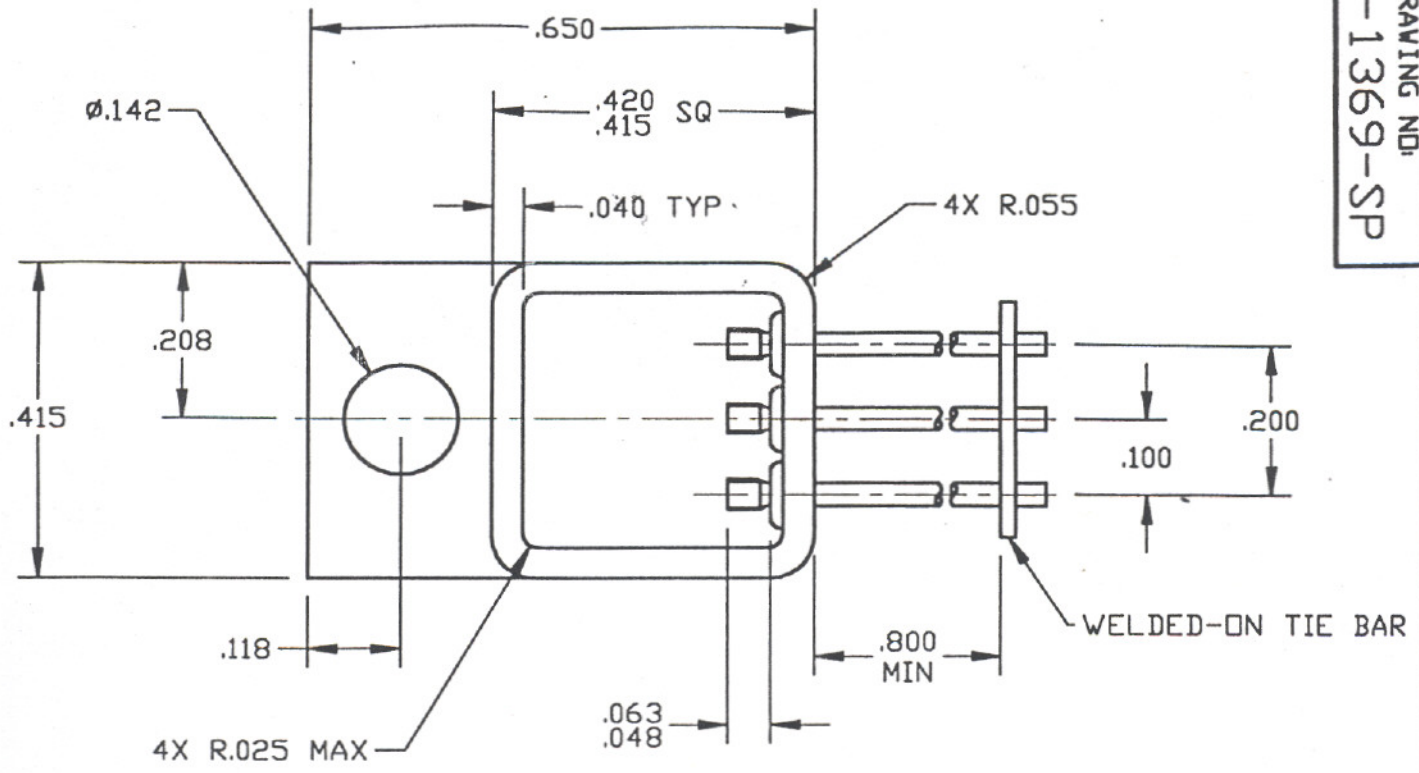
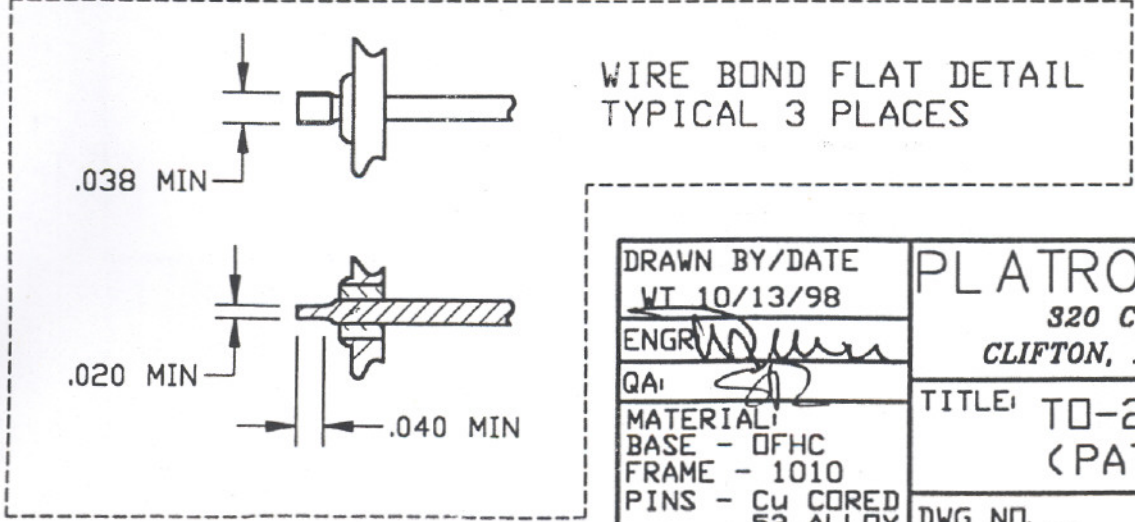


DRAWING NO:
S-1369-SP



ENGINEERING APPROVED



WIRE BOND FLAT DETAIL
TYPICAL 3 PLACES

DRAWN BY/DATE
WT 10/13/98
ENGR *[Signature]*
QA: *[Signature]*
MATERIAL:
BASE - OFHC
FRAME - 1010
PINS - Cu CORED
52 ALLOY
SEALS - GLASS

PLATRONICS-SEALS
320 COLFAX AVENUE
CLIFTON, NEW JERSEY 07013
TITLE: TO-257DP PACKAGE
(PATENT PENDING)
DWG NO. S-1369-SP

UNLESS OTHERWISE SPECIFIED
DIMENSIONS ARE IN INCHES
TOLERANCES UNLESS NOTED
DECIMAL .XXX±.005
ANGULAR ±1°

SCALE: 4X FINISH:

ET REVISION APPR/DATE

THIS DRAWING IS THE PROPERTY OF PLATRONICS-SEALS AND IS NOT TO BE REPRODUCED WITHOUT EXPRESSED WRITTEN CONSENT.