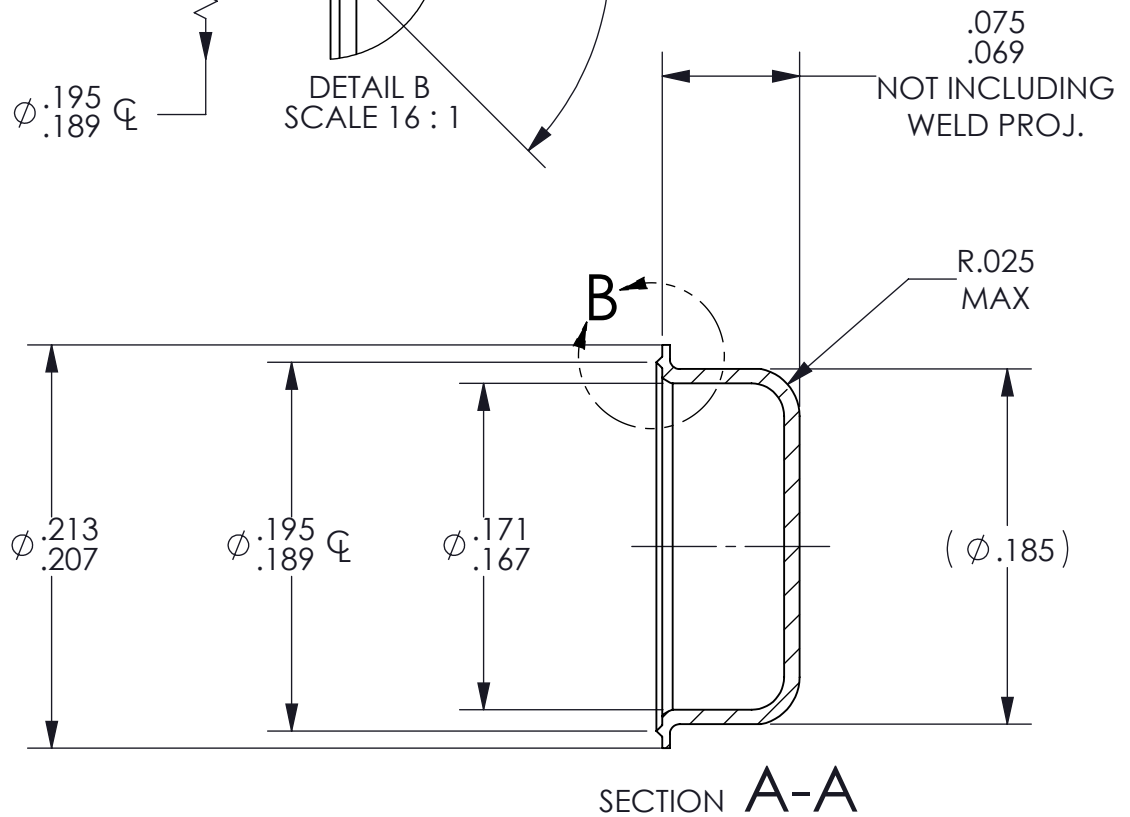
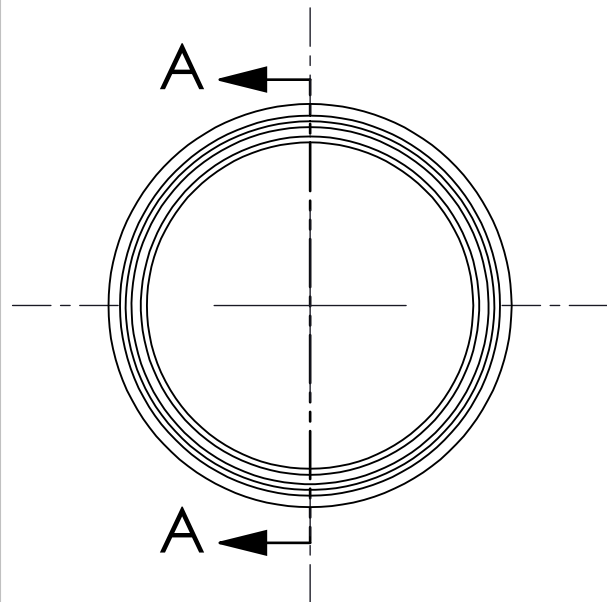
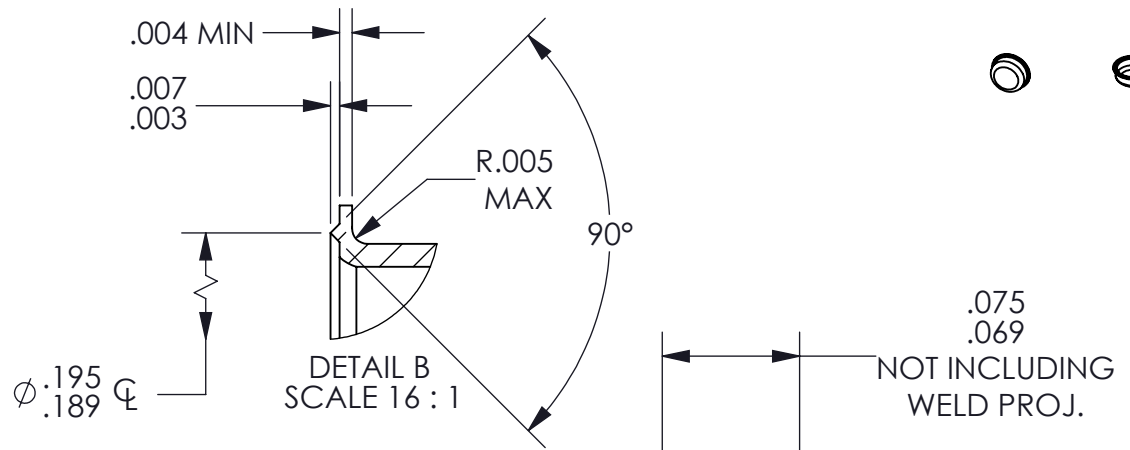


NOTES:

1. MATERIAL: GRADE A NICKEL, .008 ± .0005 STARTING GAGE
2. PARTS MUST BE FREE AND CLEAN OF CONTAMINANTS INCLUDING SOLVENTS & OILS.
3. PARTS TO BE FREE OF SRATCHES, DENTS & BURRS PER MANUFACTURING PLANTS VISUAL STANDARDS.



RICARDS METAL PRODUCTS INC.
WOLCOTT, CONNECTICUT

CONFIDENTIAL PROPERTY OF RICHARDS METAL PRODUCTS INC. DO NOT DISCLOSE TO OTHERS, COPY, OR REPRODUCE WITHOUT WRITTEN PERMISSION.

DWG PER ANSI/ASME Y14.5-1994(R2004)

RMP# 8228-C

DESC: TO-46/18		CUST. #:	
ENG. MGR:	SALES:	MFG. MGR:	QUAL. MGR:
DATE:	DATE:	DATE:	DATE:
DRAWN: F.H.G.	DATE: 6/24/15	SCALE: 10:1	COMBO:

LET	REVISIONS	DATE	BY