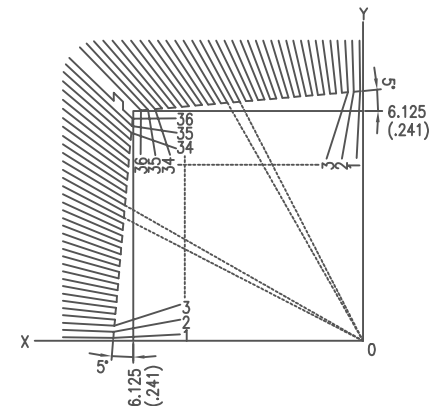
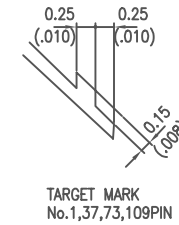


| No. | ANGLE | No. | ANGLE |
|-----|----------|-----|----------|
| 1 | 0.672 ° | 19 | 24.756 ° |
| 2 | 2.101 ° | 20 | 26.048 ° |
| 3 | 3.441 ° | 21 | 27.237 ° |
| 4 | 4.864 ° | 22 | 28.497 ° |
| 5 | 6.204 ° | 23 | 29.662 ° |
| 6 | 7.623 ° | 24 | 30.893 ° |
| 7 | 8.948 ° | 25 | 32.031 ° |
| 8 | 10.356 ° | 26 | 33.229 ° |
| 9 | 11.669 ° | 27 | 34.336 ° |
| 10 | 13.061 ° | 28 | 35.498 ° |
| 11 | 14.365 ° | 29 | 36.577 ° |
| 12 | 15.744 ° | 30 | 37.711 ° |
| 13 | 17.024 ° | 31 | 38.759 ° |
| 14 | 18.383 ° | 32 | 39.857 ° |
| 15 | 19.653 ° | 33 | 40.871 ° |
| 16 | 20.986 ° | 34 | 41.934 ° |
| 17 | 22.230 ° | 35 | 42.922 ° |
| 18 | 23.542 ° | 36 | 43.949 ° |



| MODIFICATIONS | CHANGE | DATE | DRAWN | CHECKED | APPROVED | NAME 144LD QUAD K-PACK Z'(12.0SQ) | SCALE 5 : 1 | TOLERANCES: UNLESS OTHERWISE SPECIFIED | MATERIAL | DRAWN | CHECKED | DATE | APPROVED |
|---------------|--------|------|-------|---------|----------|--------------------------------------|----------------|---|----------|-------|---------|------|----------|
| | | | | | | | | | | | | | |