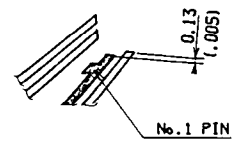


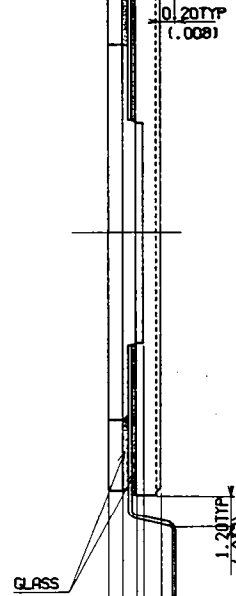
'P' DETAIL



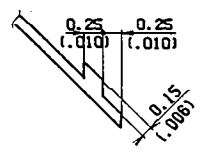
LEAD FRAME
ALLOY 42
t=0.15
(.006)

CERAMIC BASE
Al₂O₃ 90%MIN
(BLACK)

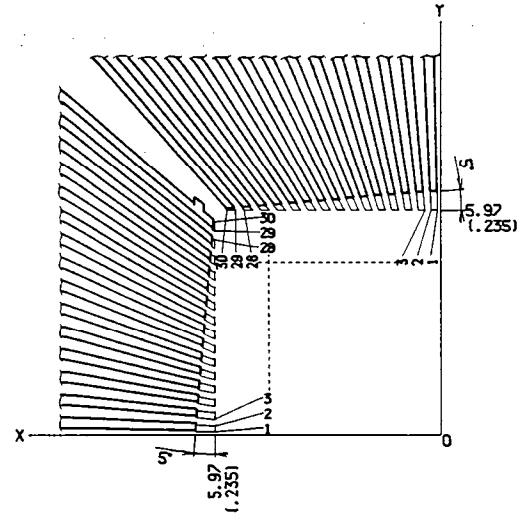
CERAMIC FRAME
Al₂O₃ 90%MIN
(BLACK)



No. 1PIN INDEX



TARGET MARK
No. 1, 31, 61, 91PIN



No	X or Y
1	0.085 (.0033)
2	0.258 (.0102)
3	0.428 (.0169)
4	0.602 (.0237)
5	0.772 (.0304)
6	0.942 (.0373)
7	1.119 (.0441)
8	1.295 (.0510)
9	1.469 (.0578)
10	1.647 (.0648)
11	1.824 (.0718)
12	2.004 (.0789)
13	2.184 (.0860)
14	2.368 (.0932)
15	2.551 (.1004)
16	2.739 (.1078)
17	2.926 (.1152)
18	3.119 (.1228)
19	3.310 (.1303)
20	3.508 (.1381)
21	3.705 (.1459)
22	3.909 (.1539)
23	4.112 (.1619)
24	4.322 (.1702)
25	4.532 (.1784)
26	4.749 (.1870)
27	4.967 (.1958)
28	5.192 (.2044)
29	5.417 (.2133)
30	5.651 (.2225)

NO.	DATE	DRAWN	CHECKED	APPROVED

NAME 120LD QUAD K-PACK Z* (11.68SQ) ID	TOLERANCES UNLESS OTHERWISE SPECIFIED	DRAWN <i>[Signature]</i>	CHECKED <i>[Signature]</i>
SCALE 5 X 1	MATERIAL	APPROVED <i>[Signature]</i>	DATE MAY. 29 '89
KYOCERA CORPORATION		KYOTO JAPAN	
CHANGE		DWG No. QC-120313-WZ	