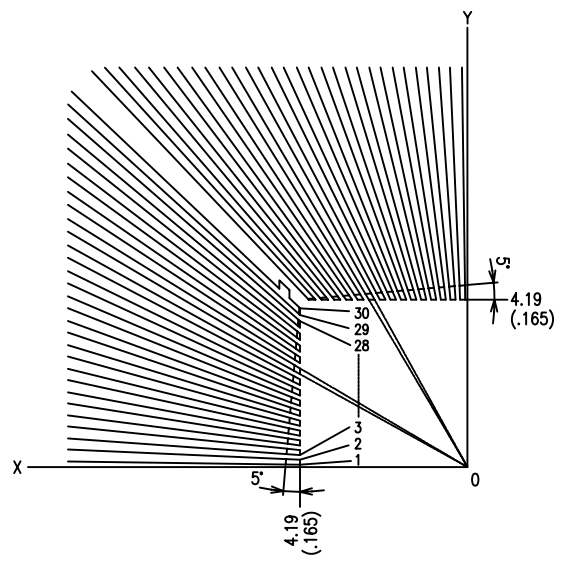


No.	ANGLE
1	0.793 °
2	2.514 °
3	4.082 °
4	5.792 °
5	7.357 °
6	9.058 °
7	10.598 °
8	12.280 °
9	13.811 °
10	15.475 °
11	16.975 °
12	18.611 °
13	20.084 °
14	21.683 °
15	23.133 °
16	24.698 °
17	26.115 °
18	27.638 °
19	29.015 °
20	30.499 °
21	31.831 °
22	33.278 °
23	34.568 °
24	35.962 °
25	37.214 °
26	38.560 °
27	39.768 °
28	41.068 °
29	42.236 °
30	43.484 °



MODIFICATIONS	NAME	SCALE	MATERIAL	TOLERANCES: UNLESS OTHERWISE SPECIFIED	DRAWN	CHECKED
					K.Okada	N.Goda
					APPROVED	DATE
		5 : 1				MAY.27'88
CHANGE	DATE	DRAWN	CHECKED	APPROVED	KYOCERA CORPORATION	
					KYOTO JAPAN	DWG No. QC-120309-WZ