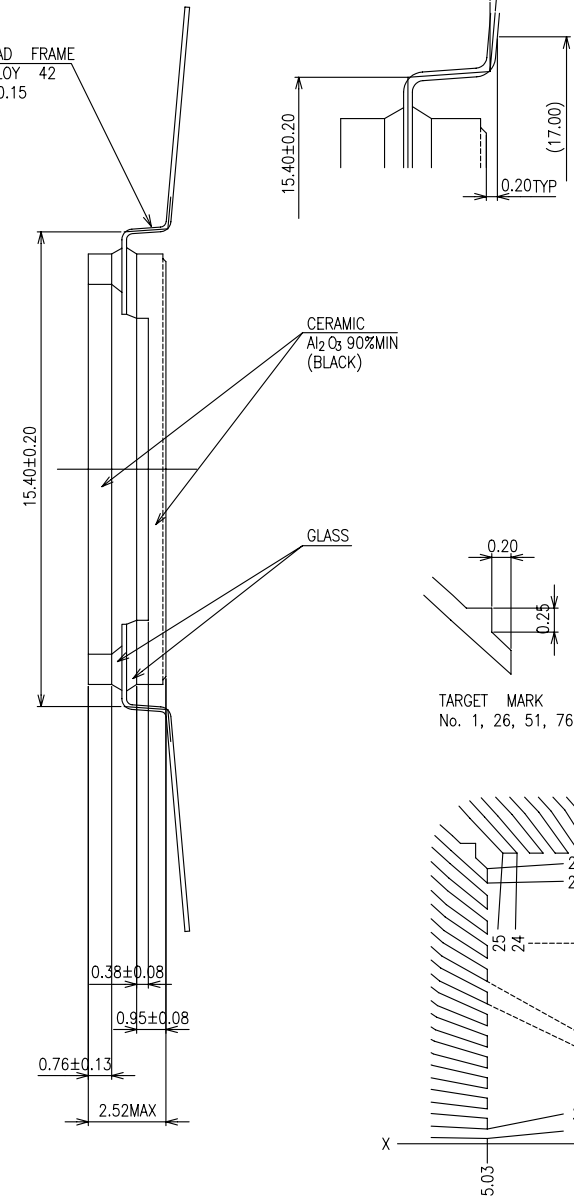


LEAD FRAME
ALLOY 42
t=0.15



CERAMIC
Al₂O₃ 90%MIN
(BLACK)

GLASS

TARGET MARK
No. 1, 26, 51, 76 PIN

No	ANGLE
1	1.052 °
2	2.924 °
3	5.003 °
4	6.857 °
5	8.922 °
6	10.768 °
7	12.799 °
8	14.621 °
9	16.626 °
10	18.396 °
11	20.358 °
12	22.099 °
13	24.003 °
14	25.700 °
15	27.542 °
16	29.183 °
17	30.974 °
18	32.558 °
19	34.285 °
20	35.801 °
21	37.463 °
22	38.923 °
23	40.509 °
24	41.903 °
25	43.423 °

MODIFICATIONS	CHANGE	DATE	DRAWN	CHECKED	APPROVED	NAME	TOLERANCES:	DRAWN	CHECKED
						100LD QUAD K-PACK 'Z'(9.8SQ)	UNLESS OTHERWISE SPECIFIED		
						SCALE			
						8/1	MATERIAL		

KYOCERA CORPORATION	KYOTO JAPAN	DWG No.	APPROVED	DATE
				JUN.20 '91
			QC-100367-WZ	