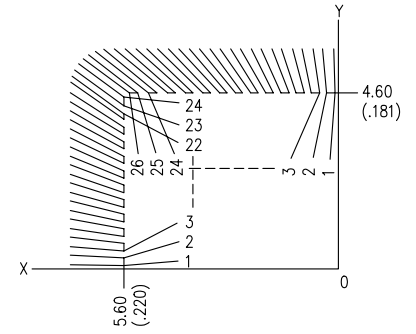
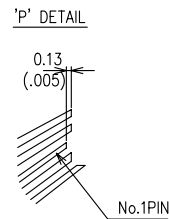


	X	Y
1	0.09 (.004)	1 0.09 (.004)
2	0.31 (.012)	2 0.29 (.011)
3	0.49 (.019)	3 0.47 (.018)
4	0.71 (.028)	4 0.67 (.026)
5	0.89 (.035)	5 0.85 (.033)
6	1.11 (.044)	6 1.05 (.041)
7	1.29 (.051)	7 1.23 (.048)
8	1.50 (.059)	8 1.43 (.056)
9	1.70 (.067)	9 1.61 (.063)
10	1.90 (.075)	10 1.81 (.071)
11	2.10 (.083)	11 1.99 (.078)
12	2.29 (.090)	12 2.19 (.086)
13	2.51 (.098)	13 2.37 (.093)
14	2.69 (.106)	14 2.56 (.101)
15	2.91 (.115)	15 2.76 (.109)
16	3.10 (.122)	16 2.94 (.116)
17	3.34 (.131)	17 3.14 (.124)
18	3.54 (.140)	18 3.32 (.131)
19	3.80 (.150)	19 3.52 (.139)
20	3.99 (.157)	20 3.70 (.146)
21	4.26 (.168)	21 3.91 (.154)
22	4.46 (.176)	22 4.05 (.159)
23	4.74 (.187)	23 4.26 (.168)
24	4.96 (.195)	24 4.49 (.177)
25	5.24 (.206)	
26	5.46 (.215)	



No.1PIN INDEX

MODIFICATIONS						NAME	TOLERANCES:	DRAWN	CHECKED
						100LD QUAD K-PACK'Z'(9X11)ID	UNLESS OTHERWISE SPECIFIED	K.Okada	
						SCALE	MATERIAL	APPROVED	DATE
						5 : 1			MAY.25'89
						KYOCERA CORPORATION	KYOTO JAPAN	DWG No.	QC-100346-WZ
	CHANGE	DATE	DRAWN	CHECKED	APPROVED				