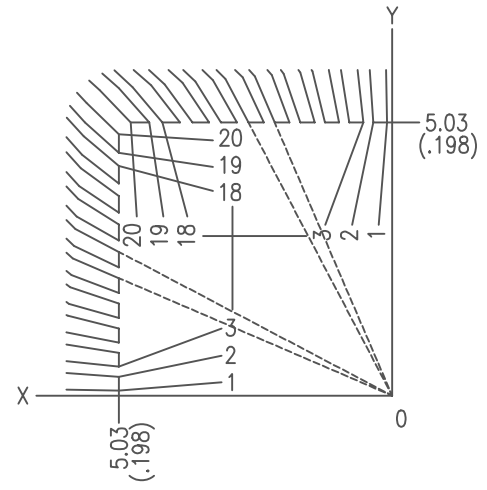


No	ANGLE
1	1.053 °
2	3.958 °
3	6.048 °
4	8.933 °
5	11.000 °
6	13.823 °
7	15.849 °
8	18.617 °
9	20.585 °
10	23.270 °
11	25.176 °
12	27.756 °
13	29.587 °
14	32.062 °
15	33.807 °
16	36.168 °
17	37.835 °
18	40.067 °
19	41.647 °
20	43.753 °



MODIFICATIONS					NAME	TOLERANCES: UNLESS OTHERWISE SPECIFIED	DRAWN	CHECKED	
					80LD QUAD K-PACK (9.8SQ)				
					SCALE		MATERIAL	APPROVED	DATE
					4 / 1				JUL.23 '91
	C H A N G E	DATE	DRAWN	CHECKED	APPROVED	KYOCERA CORPORATION KYOTO JAPAN	DWG No.	QC-080333-WZ	