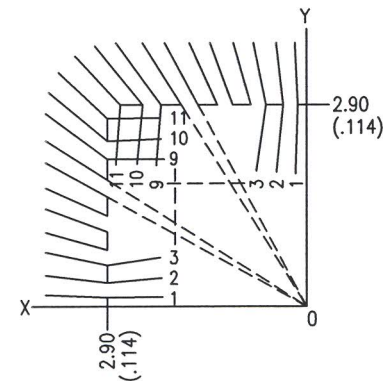


No.	ANGLE
1	2.49 °
2	6.68 °
3	11.55 °
4	15.62 °
5	20.29 °
6	24.14 °
7	28.51 °
8	32.09 °
9	36.11 °
10	39.37 °
11	43.01 °



CERAMIC CRACK, HERMETICITY SHALL BE FREE.

MODIFICATIONS

NO.	DATE	DRAWN	CHECKED	APPROVED

NAME 44LD QUAD K-PACK 'Z' (5.6SQ)	
SCALE 5 : 1	MATERIAL
KYOCERA CORPORATION	

TOLERANCES: UNLESS OTHERWISE SPECIFIED	DRAWN	CHECKED
	APPROVED	DATE
		APR.05'94

KYOTO JAPAN	DWG No. QC-044320-WZ
-------------	-------------------------