

NOTES;

1. ALL EXPOSED METALLIZED AREA SHALL BE GOLD PLATED 60 MICRO INCH MIN. THK. OVER NICKEL PLATED UNLESS OTHERWISE SPECIFIED PURCHASE ORDER.
2. FLATNESS METALLIZED PAD'S ONLY.
3. SEAL AREA AND DIE ATTACH AREA SHALL BE ISOLATED FROM ANY LEAD'S. (ZERO GROUND)

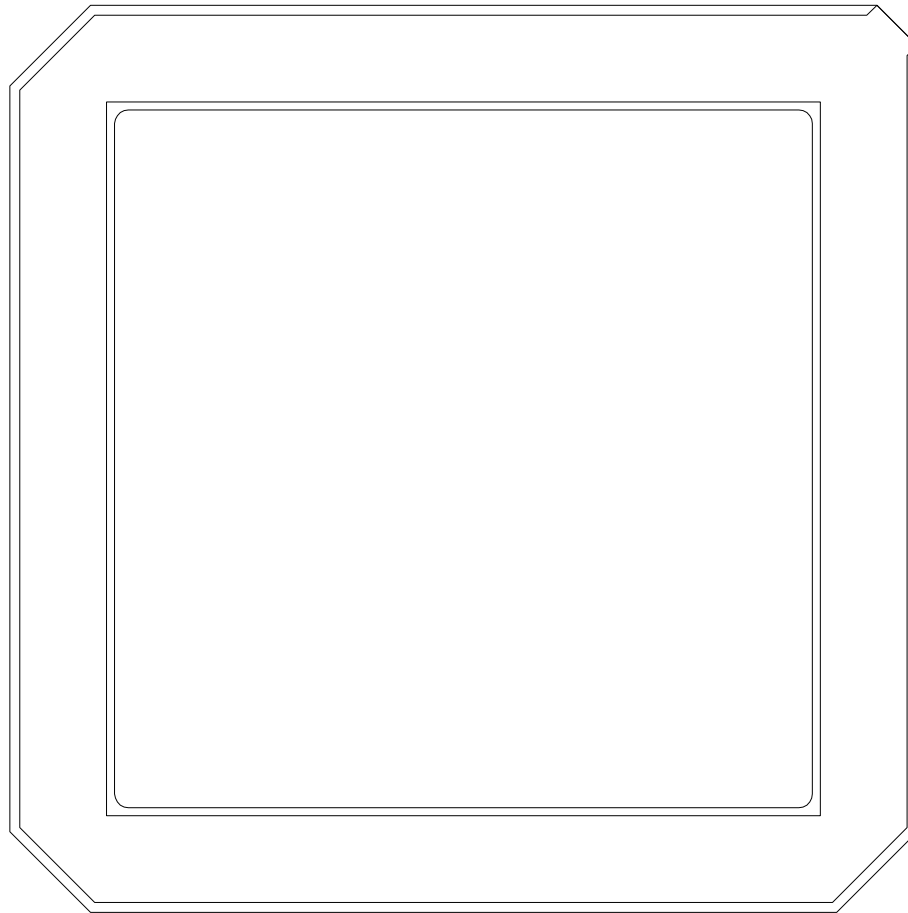
S=0  
D=0

MODIFICATIONS									
	CHANGE		DATE	DRAWN	CHECKED	APPROVED			

NAME	28 LCC (AHB-28C)
SCALE	8 / 1
MATERIAL	KYOCERA A440
<b>KYOCERA</b>	
KYOCERA CORPORATION KYOTO JAPAN	

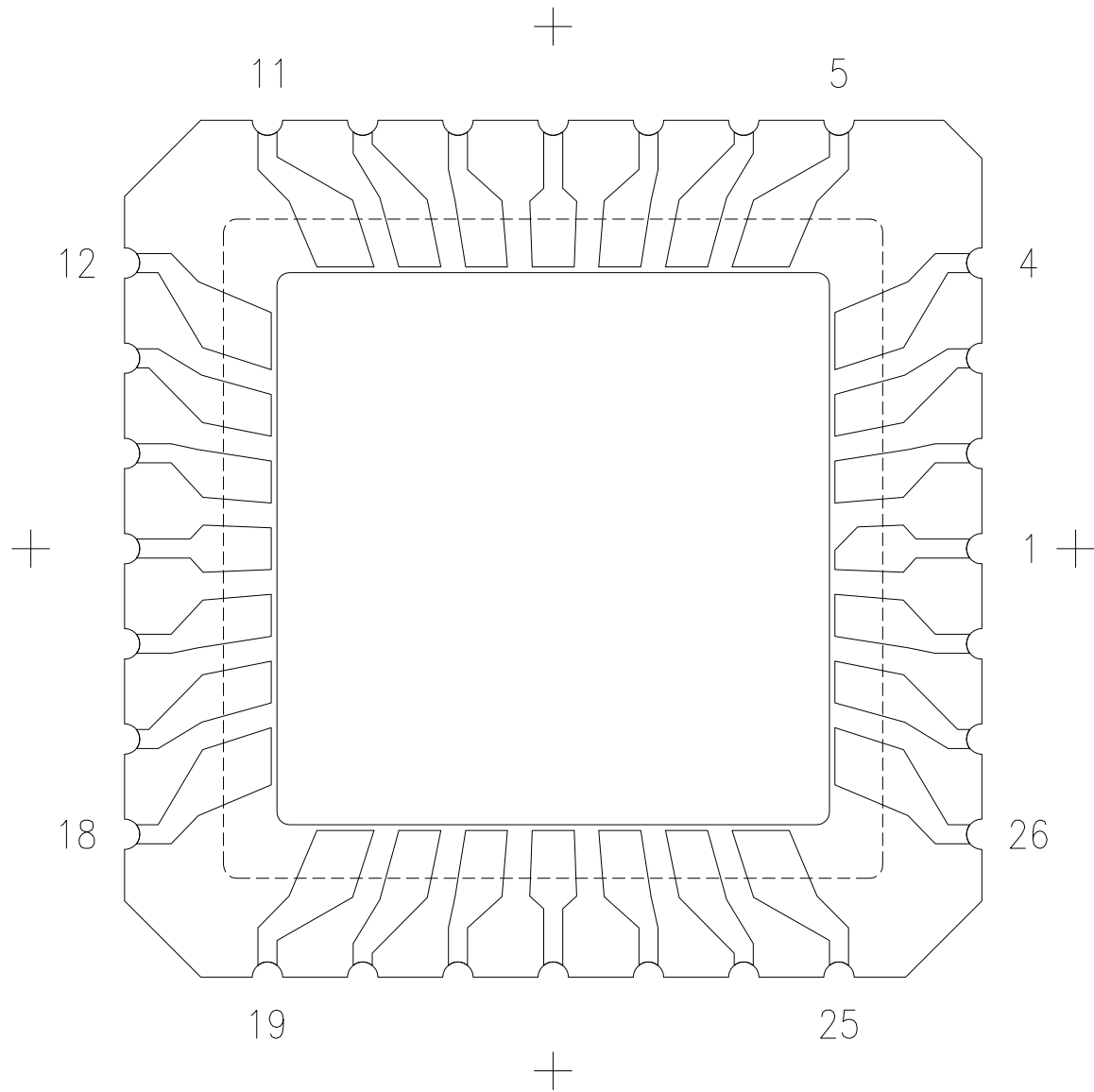
TOLERANCES:  
UNLESS OTHERWISE SPECIFIED  
± 1%  
N.L.T. ± .005  
THIRD ANGLE PROJECTION

04-X1992-1		AHB-28C	
DRAWN	CHECKED	APPROVED	DATE
			6.14.85
DRAWING NO.			SHEET
PB-C85189			1 / 5



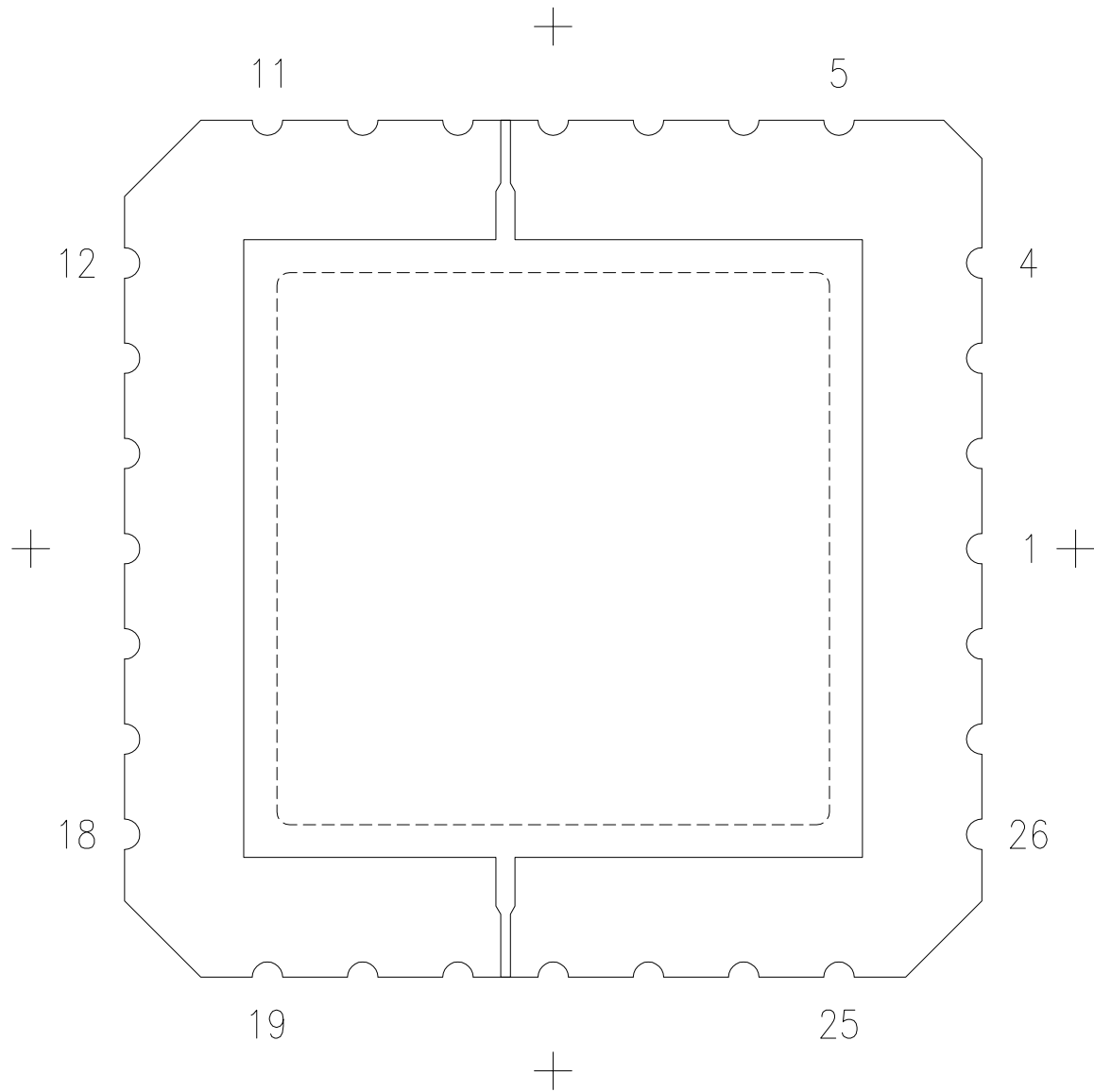
1 PA

MODIFICATIONS						NAME	28 LCC	TOLERANCES:	DRAWN	CHECKED	APPROVED	DATE
						SCALE	15/1	UNLESS OTHERWISE SPECIFIED				6.14.'85
						MATERIAL						
								THIRD ANGLE PROJECTION				
	CHANGE	DATE	DRAWN	CHECKED	APPROVED		KYOCERA CORPORATION KYOTO JAPAN	DRAWING NO.	PB-C85189		SHEET	2/5



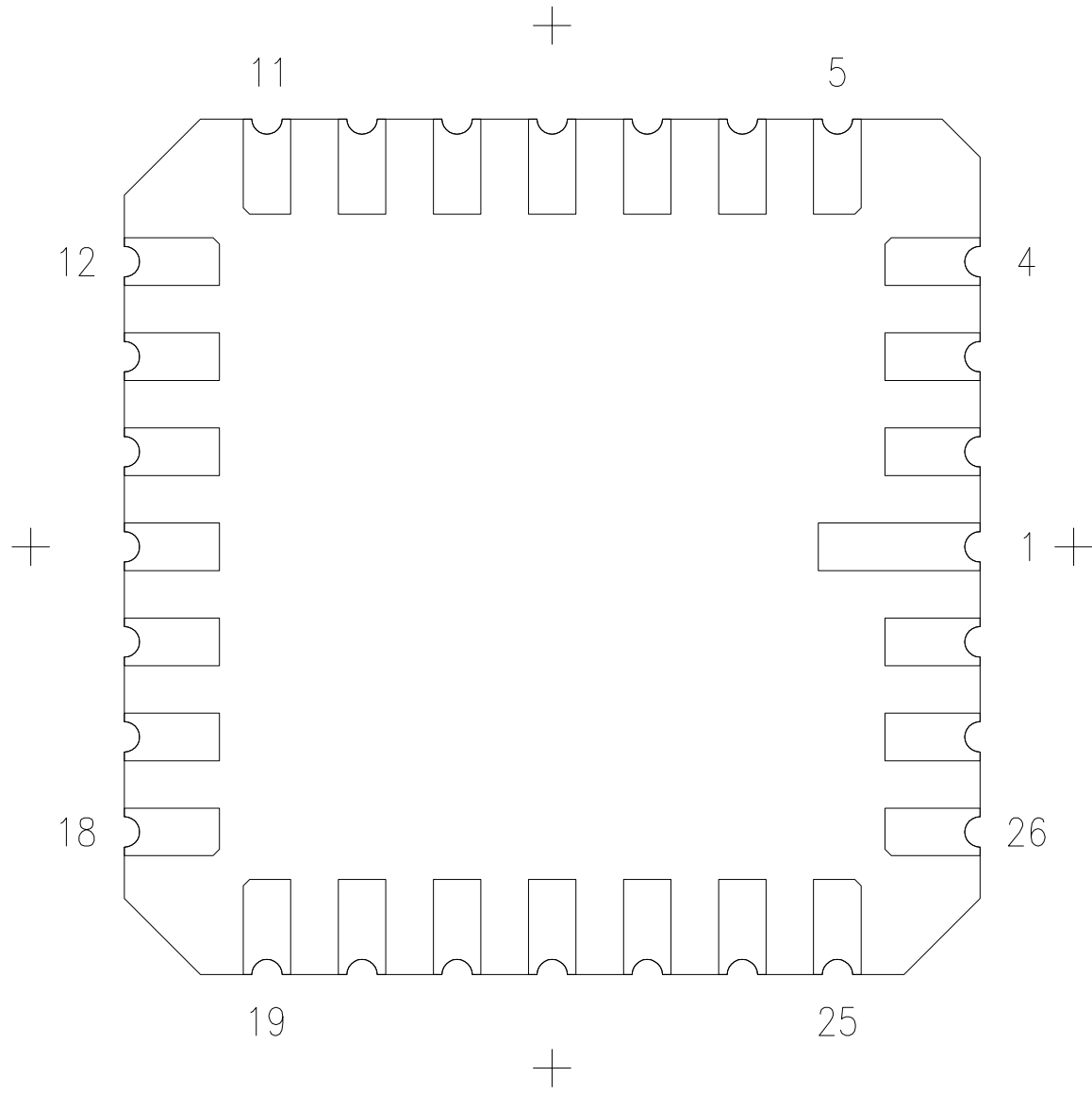
2 PA

MODIFICATIONS						NAME	28 LCC	TOLERANCES: UNLESS OTHERWISE SPECIFIED	DRAWN	CHECKED	APPROVED	DATE
						SCALE	15/1					6.14.'85
						MATERIAL		THIRD ANGLE PROJECTION				
	CHANGE	DATE	DRAWN	CHECKED	APPROVED	<b>KYOCERA</b>	KYOCERA CORPORATION KYOTO JAPAN	DRAWING NO.	PB-C85189		SHEET	3/5



3 PA

MODIFICATIONS						NAME	28 LCC	TOLERANCES:	DRAWN	CHECKED	APPROVED	DATE
						SCALE	15/1	UNLESS OTHERWISE SPECIFIED				6.14.'85
						MATERIAL						
								THIRD ANGLE PROJECTION				
	CHANGE	DATE	DRAWN	CHECKED	APPROVED	<b>KYOCERA</b>	KYOCERA CORPORATION KYOTO JAPAN	DRAWING NO.	PB-C85189		SHEET	4/5



3 PB  
(TOP VIEW)

MODIFICATIONS						NAME	28 LCC	TOLERANCES: UNLESS OTHERWISE SPECIFIED	DRAWN	CHECKED	APPROVED	DATE
						SCALE	15/1					6.14.'85
							MATERIAL					
								THIRD ANGLE PROJECTION				
	CHANGE	DATE	DRAWN	CHECKED	APPROVED		KYOCERA CORPORATION KYOTO JAPAN		DRAWING NO.	PB-C85189		SHEET