

- NOTES:
1. METALLIZATION/PLATING: TUNGSTEN+NICKEL 50~350 μ UNDER GOLD 100~225 μ .
 2. SEAL RING AND DIE ATTACH TO BE FLOATING.

223 Pin Grid Array

Chelsea P/N: P223PG460

| B/P | PIN |
|-----|-----|
| 1 | B2 |
| 2 | E3 |
| 3 | E4 |
| 4 | F4 |
| 5 | D2 |
| 6 | F3 |
| 7 | C1 |
| 8 | D1 |
| 9 | F2 |
| 10 | E1 |
| 11 | G4 |
| 12 | H4 |
| 13 | G2 |
| 14 | G1 |
| 15 | H2 |
| 16 | H1 |
| 17 | J1 |
| 18 | J2 |
| 19 | K3 |
| 20 | K2 |
| 21 | K1 |
| 22 | L1 |
| 23 | L3 |
| 24 | M1 |
| 25 | M2 |
| 26 | L4 |
| 27 | N1 |
| 28 | P1 |
| 29 | N2 |

| B/P | PIN |
|-----|-----|
| 30 | R1 |
| 31 | P2 |
| 32 | N4 |
| 33 | P4 |
| 34 | N3 |
| 35 | R2 |
| 36 | U1 |
| 37 | T4 |
| 38 | T5 |
| 39 | V2 |
| 40 | V3 |
| 41 | T6 |
| 42 | U5 |
| 43 | V5 |
| 44 | R5 |
| 45 | R6 |
| 46 | R7 |
| 47 | U6 |
| 48 | V6 |
| 49 | U7 |
| 50 | V7 |
| 51 | U8 |
| 52 | V8 |
| 53 | V9 |
| 54 | U9 |
| 55 | T10 |
| 56 | U10 |
| 57 | V10 |
| 58 | V11 |

| B/P | PIN |
|-----|-----|
| 59 | T11 |
| 60 | V12 |
| 61 | U12 |
| 62 | V13 |
| 63 | R11 |
| 64 | R12 |
| 65 | V14 |
| 66 | V15 |
| 67 | T13 |
| 68 | V16 |
| 69 | V17 |
| 70 | R13 |
| 71 | U15 |
| 72 | U16 |
| 73 | T16 |
| 74 | P16 |
| 75 | T17 |
| 76 | N16 |
| 77 | P17 |
| 78 | T18 |
| 79 | N17 |
| 80 | P15 |
| 81 | N15 |
| 82 | P18 |
| 83 | M17 |
| 84 | M18 |
| 85 | M15 |
| 86 | L15 |
| 87 | L17 |

| B/P | PIN |
|-----|-----|
| 88 | L18 |
| 89 | K18 |
| 90 | K17 |
| 91 | J16 |
| 92 | J17 |
| 93 | J18 |
| 94 | H18 |
| 95 | G15 |
| 96 | H17 |
| 97 | H16 |
| 98 | G18 |
| 99 | F18 |
| 100 | E18 |
| 101 | F15 |
| 102 | E15 |
| 103 | D18 |
| 104 | C18 |
| 105 | F16 |
| 106 | E17 |
| 107 | D17 |
| 108 | E16 |
| 109 | C15 |
| 110 | A17 |
| 111 | B15 |
| 112 | A16 |
| 113 | B14 |
| 114 | C13 |
| 115 | A14 |
| 116 | B13 |

| B/P | PIN |
|-----|-----|
| 117 | D14 |
| 118 | D13 |
| 119 | B12 |
| 120 | A12 |
| 121 | B11 |
| 122 | D12 |
| 123 | C11 |
| 124 | A11 |
| 125 | A10 |
| 126 | A9 |
| 127 | C10 |
| 128 | C9 |
| 129 | B9 |
| 130 | A8 |
| 131 | A7 |
| 132 | C8 |
| 133 | D8 |
| 134 | D7 |
| 135 | B7 |
| 136 | A5 |
| 137 | A4 |
| 138 | D6 |
| 139 | B6 |
| 140 | B5 |
| 141 | A3 |
| 142 | C6 |
| 143 | A2 |
| 144 | B3 |
| 145 | C4 |

| B/P | PIN |
|-----|-----|
| 146 | C3 |
| 147 | C2 |
| 148 | B1 |
| 149 | VCC |
| 150 | E2 |
| 151 | GND |
| 152 | F1 |
| 153 | VCC |
| 154 | H3 |
| 155 | GND |
| 156 | J3 |
| 157 | VCC |
| 158 | L2 |
| 159 | GND |
| 160 | M4 |
| 161 | VCC |
| 162 | T1 |
| 163 | GND |
| 164 | T2 |
| 165 | P3 |
| 166 | T3 |
| 167 | U2 |
| 168 | V1 |
| 169 | U3 |
| 170 | U4 |
| 171 | VCC |
| 172 | V4 |
| 173 | GND |
| 174 | R8 |

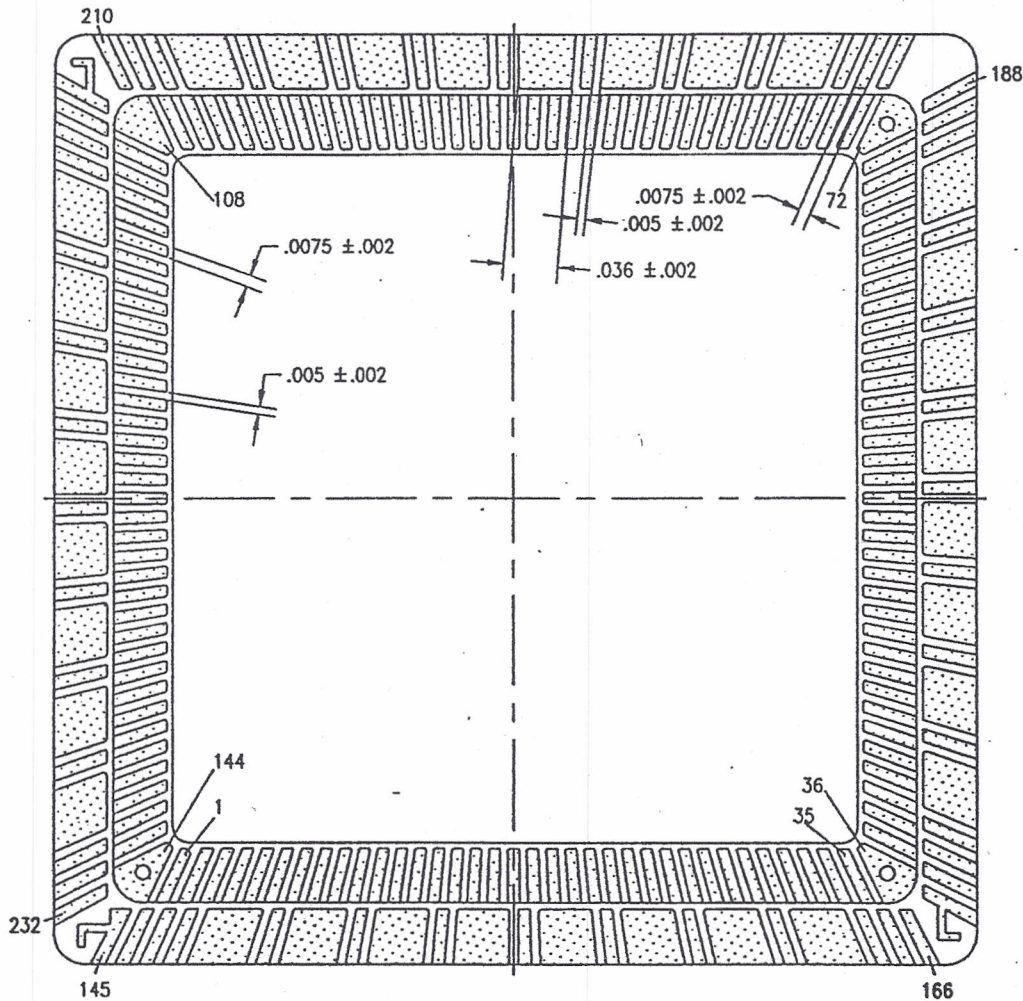
| B/P | PIN |
|-----|-----|
| 175 | VCC |
| 176 | T8 |
| 177 | GND |
| 178 | T9 |
| 179 | VCC |
| 180 | U11 |
| 181 | GND |
| 182 | U13 |
| 183 | VCC |
| 184 | U14 |
| 185 | GND |
| 186 | R14 |
| 187 | T14 |
| 188 | T15 |
| 189 | V18 |
| 190 | U17 |
| 191 | U18 |
| 192 | R17 |
| 193 | VCC |
| 194 | R18 |
| 195 | GND |
| 196 | N18 |
| 197 | VCC |
| 198 | L16 |
| 199 | GND |
| 200 | K16 |
| 201 | VCC |
| 202 | H15 |
| 203 | GND |

| B/P | PIN |
|-----|-----|
| 204 | G17 |
| 205 | VCC |
| 206 | F17 |
| 207 | GND |
| 208 | B18 |
| 209 | C17 |
| 210 | B17 |
| 211 | C16 |
| 212 | A18 |
| 213 | B16 |
| 214 | C14 |
| 215 | VCC |
| 216 | A15 |
| 217 | GND |
| 218 | A13 |
| 219 | VCC |
| 220 | D11 |
| 221 | GND |
| 222 | B10 |
| 223 | VCC |
| 224 | B8 |
| 225 | GND |
| 226 | A6 |
| 227 | VCC |
| 228 | D5 |
| 229 | GND |
| 230 | B4 |
| 231 | C5 |
| 232 | NC |



223 Pin Grid Array

Chelsea PIN: P223PG 460



223 Pin Grid Array
 Chelsea P/N: P223PG460

NOTES:

1. B/F PULLBACK TARGET IS .005 FROM THE CAVITY (DESIGNED AT .004).
2. ALL B/F DIMENSIONS ARE AT THE TIPS.