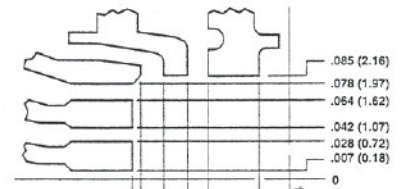
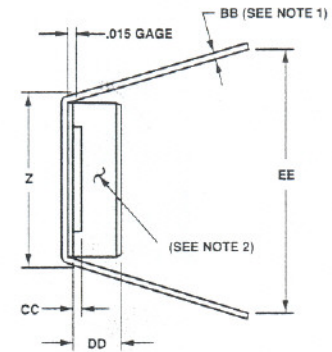
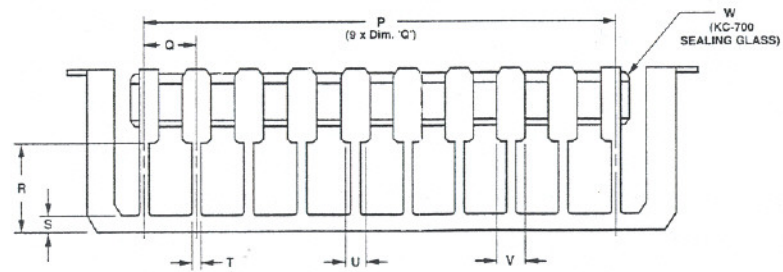
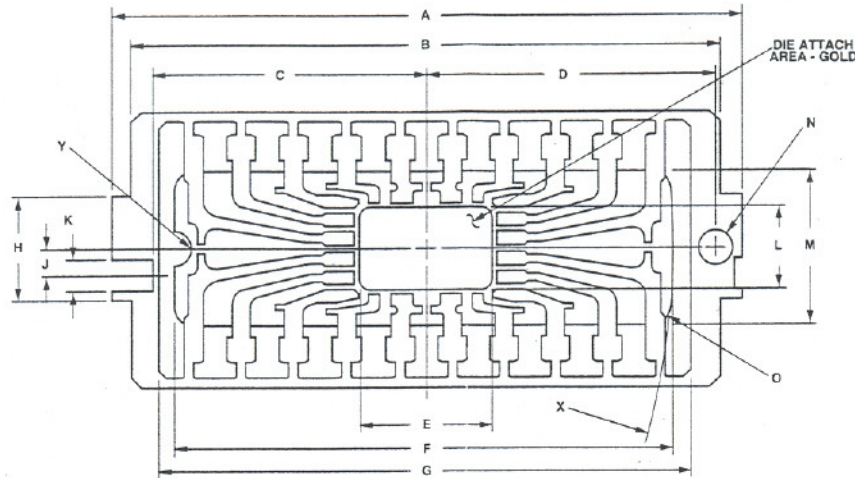


VENDOR

REV. NO.	REVISIONS	DATE	APP'D.
-	INIT PER SCN # 15617	05/03/94	
A	CHANGED PER SCN # 16088	08/04/94	RJY

	DIMENSIONS				NOTES
	INCHES		MILLIMETERS		
	MIN.	MAX.	MIN.	MAX.	
A	1.192	1.202	30.27	30.53	
B	1.115	1.125	28.32	28.58	
C	0.515	0.525	13.07	13.33	
D	0.546	0.556	13.87	14.13	
E	0.247	0.253	6.27	6.43	
F	0.942	0.958	23.93	24.33	
G	1.003	1.013	25.47	25.73	
H	0.192	0.202	4.87	5.13	
J	0.045	0.055	1.14	1.40	
K	0.056	0.066	1.42	1.68	
L	0.157	0.163	3.98	4.14	
M	0.285	0.291	7.24	7.40	
N	0.059	0.063	1.50	1.60	Ø DIA.
O	0.020	0.040	0.51	1.02	R. (4 PLCS)
P	0.895	0.905	22.73	22.99	
Q	0.095	0.105	2.41	2.67	TYP.
R	0.190	0.200	4.82	5.08	
S	0.032	0.042	0.82	1.08	
T	0.015	0.021	0.38	0.53	TYP.
U	0.034	0.044	0.87	1.13	TYP.
V	0.051	0.061	1.29	1.55	TYP.
W	0.010	0.015	0.254	0.406	
X	3.932	3.942	99.87	100.13	RAD.
Y	0.020	0.030	0.51	0.77	RAD.
Z	0.310	0.318	7.87	8.08	
BB	0.009	0.011	0.23	0.28	
CC	0.012	0.018	0.30	0.46	
DD	0.075	0.080	1.91	2.04	
EE	0.385	0.415	9.78	10.54	



CAVITY SIZE: 0.170 x 0.270

CONTROLLED COPY  
 028 0865  
 2 5 1994

- NOTES:
- LEAD FRAME MATERIAL SHALL BE ALLOY 42. DETAIL DIMENSIONS PER SHINKO DWG CA-F521.
  - CERAMIC BASE MATERIAL SHALL BE Al<sub>2</sub>O<sub>3</sub> (ALUMINA) - 90% MIN. (BLACK). DETAIL DIMENSIONS PER UICC DWG MB-2140-1.

UNLESS OTHERWISE SPECIFIED ALL DIMENSIONS ARE IN INCHES			
MATERIAL	DRAWN	RJV	DATE 05/94
	APP'D.	<i>RJM</i>	DATE 8/94
FINISH	TOLERANCES (U.O.S.) .XX ± .01 .XXX ± .005		
	FRACTIONS = 1/64		
	ANGLES ± 1/2°		
DO NOT SCALE THIS DWG			SURFACE QUALITY ✓
TITLE		UNITRODE INTEGRATED CIRCUIT CORP. MEMPHIS, TN	
20 LEAD CERDIP FRAME ON BASE ASSEMBLY		DWG NO. MB 2141	
SCALE: N/A		SHEET	