

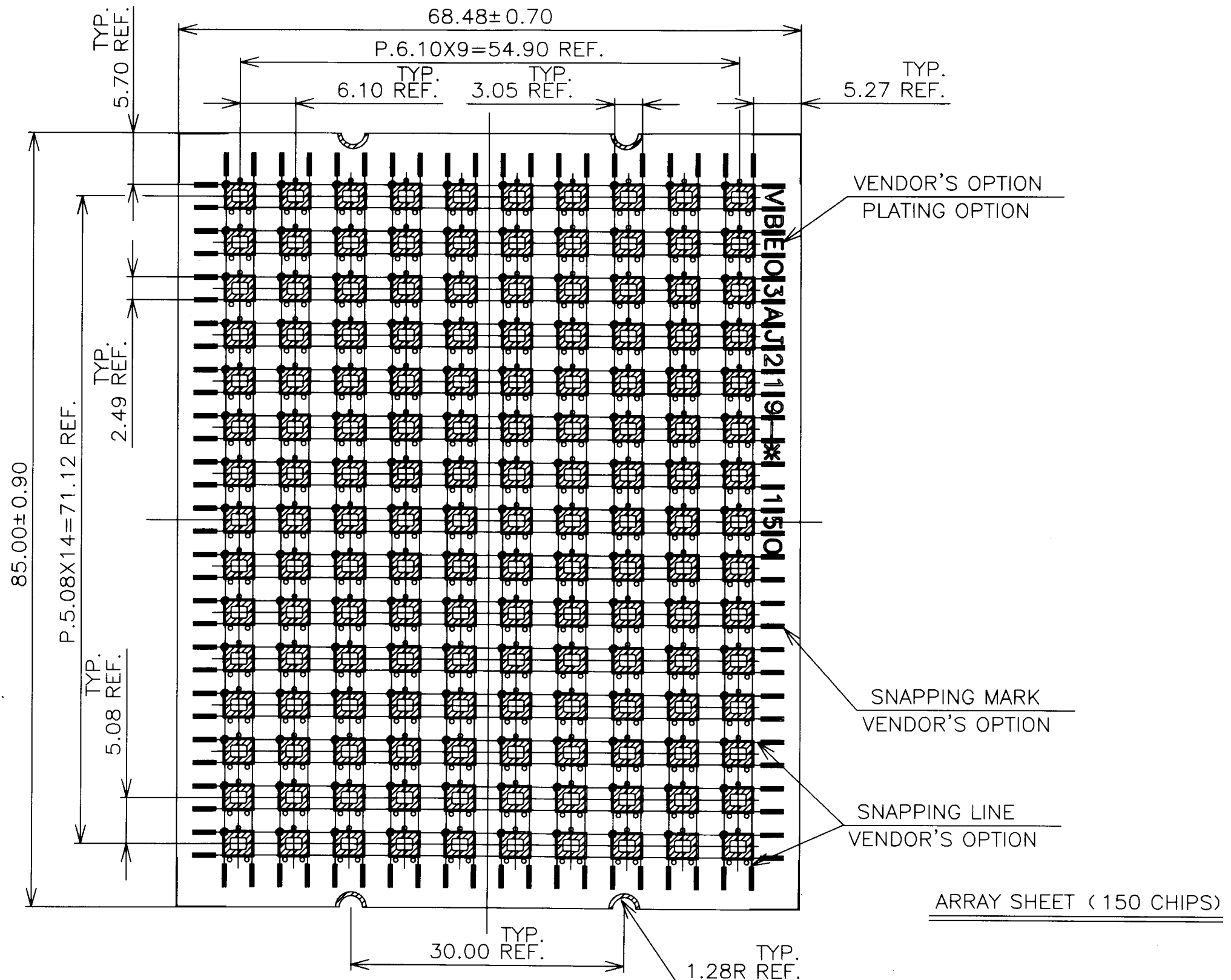
NOTE:

1. GOLD PLATE 1.5μm MIN. OVER
2.0μm MIN. NICKEL.
(EXCEPT CASTELLATION)
2. CONNECTION
(1-A), (2-C), (3-B), (S/R-D)
3. CAMBER: 0.05mm MAXIMUM. (SINGLE PART TYPE)
0.34mm MAXIMUM. (ARRAY TYPE)
4. 30 DEFECT PARTS MAXIMUM/SHEET

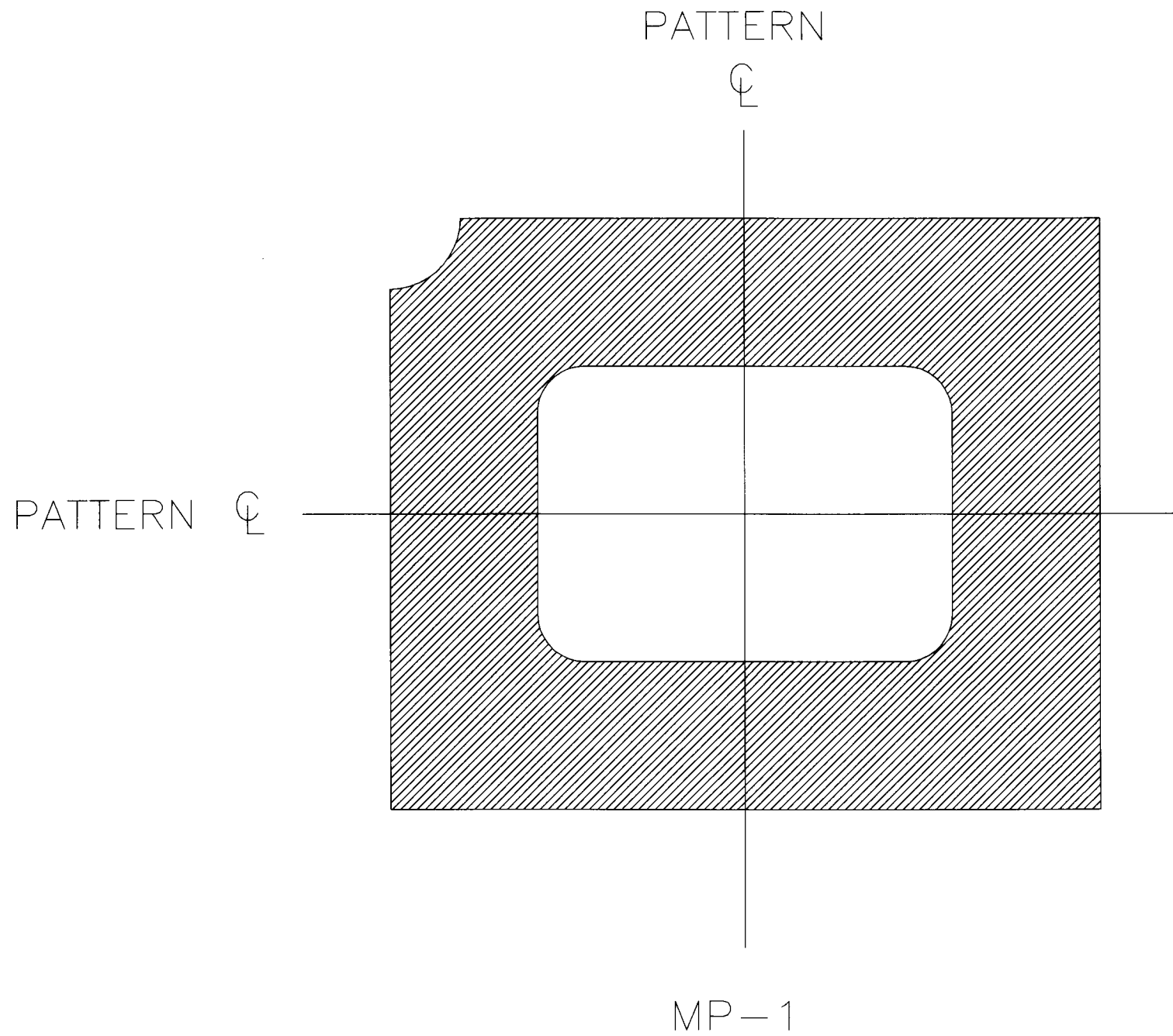
| SHIPPING TYPE | |
|---------------|------------------|
| 01 | SINGLE PART TYPE |
| 02 | ARRAY TYPE |

VBE03AJ219-*

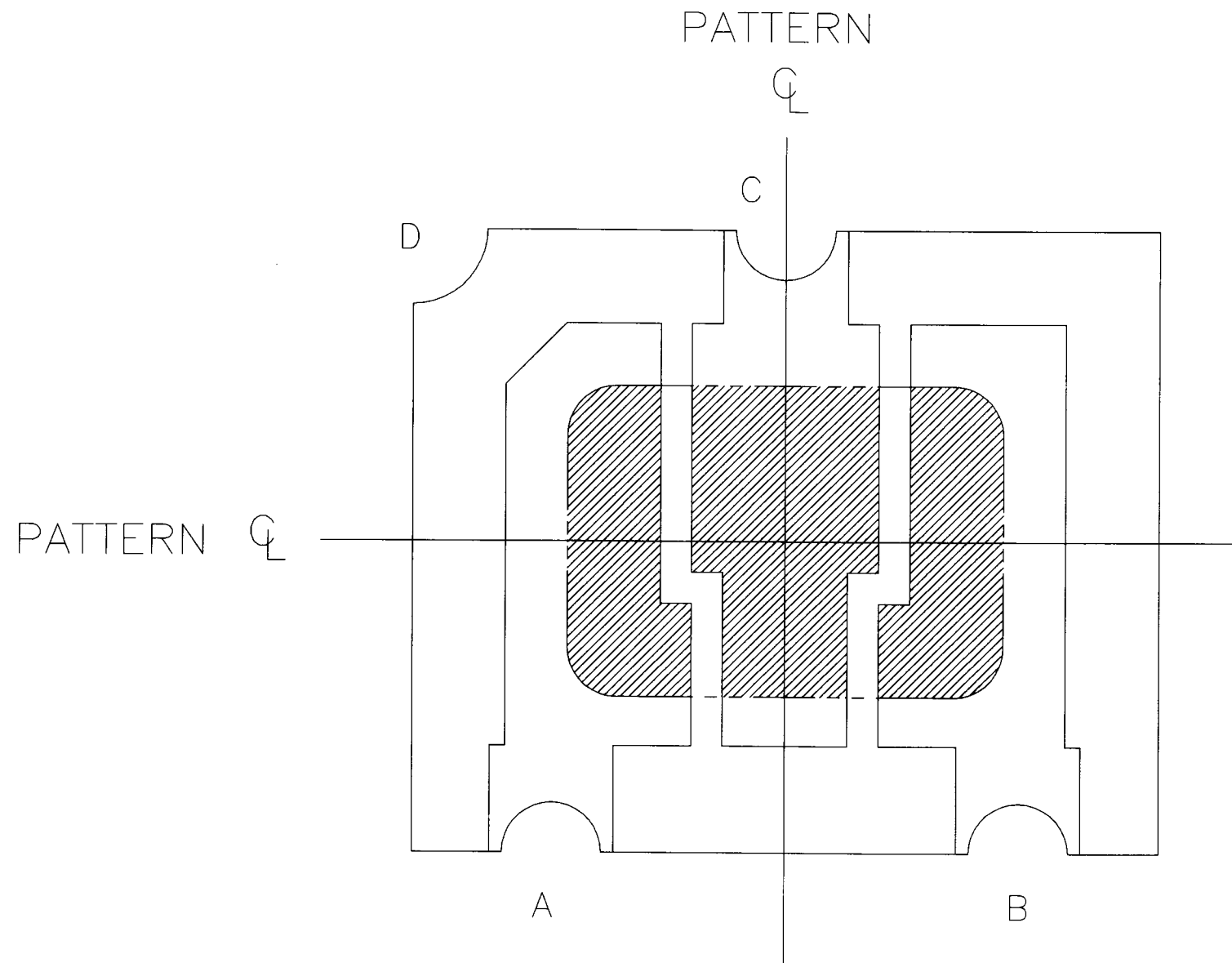
| MODIFICATION | | | | | | NAME | TOLERANCE | DRAWN | CHECKED | APPROVED | DATE |
|--------------|--|------|-------|---------|------------|-----------------------|------------------------------------|------------------|--------------|----------------------------|------------|
| | | | | | | 3 PIN LCC | UNLESS OTHERWISE SPECIFIED | K.I | K.N/W.M | M.M | FEB.23.'00 |
| | | | | | SCALE 20/1 | MATERIAL AS INDICATED | ±0.20 | <i>Kobayashi</i> | <i>M.M.I</i> | <i>W. H. H. / M. M. M.</i> | |
| | | | | | | | THIRD ANGLE PROJECTION | | | | |
| | | | | | | | | | | | |
| CHANGED | | | | | | | | | | | |
| | | DATE | DRAWN | CHECKED | APPROVED | | KYOCERA CORPORATION KYOTO JAPAN | DRAWING NO. | | | SHEET |
| | | | | | | | | KD-VA0219 | | | 1/5 |



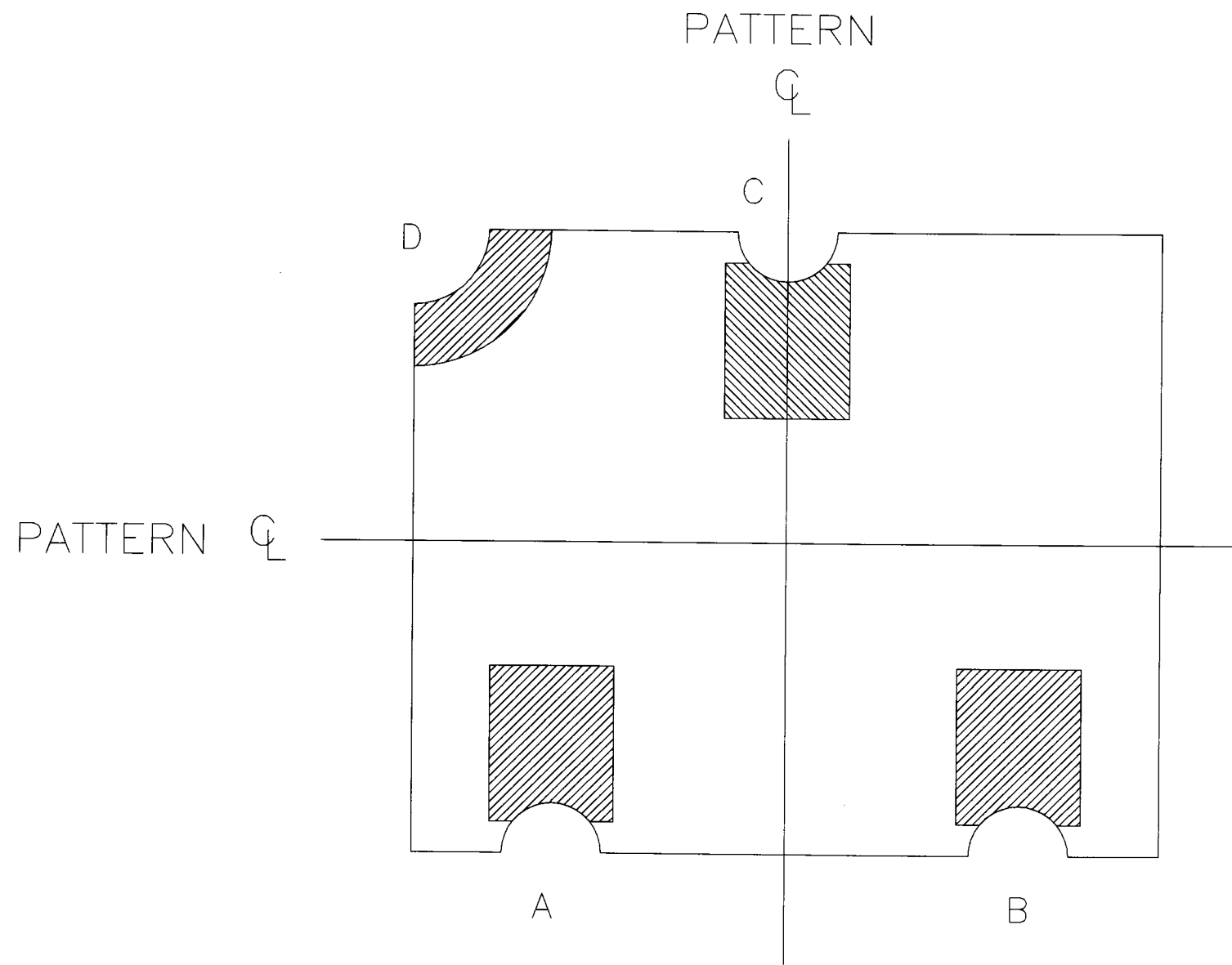
| | | | | | | | | | | | |
|--------------|---------|------|-------|---------|----------|------------------------------------|----------------------------|----------------|-------------|-----------------|------------|
| MODIFICATION | | | | | NAME | 3 PIN LCC | TOLERANCE | DRAWN | CHECKED | APPROVED | DATE |
| | | | | | SCALE | 2 / 1 | UNLESS OTHERWISE SPECIFIED | K.I | K.N/M.M | K.M | FEB.23.'00 |
| | | | | | MATERIAL | | THIRD ANGLE PROJECTION | <i>K. Iryo</i> | <i>M.MI</i> | <i>W. Nijer</i> | |
| | | | | | | KYOCERA CORPORATION KYOTO JAPAN | DRAWING NO. | | | | SHEET |
| | CHANGED | DATE | DRAWN | CHECKED | | | APPROVED | KD-VA0219 | | 2 / 5 | |



| | | | | | | | | | | | | |
|--------------|---------|------|-------|---------|----------|----------|------------------------------------|----------------------------|------------|------------|-----------------|-------------------|
| MODIFICATION | | | | | | NAME | 3 PIN LCC | TOLERANCE | DRAWN | CHECKED | APPROVED | DATE |
| | | | | | | SCALE | 40 / 1 | UNLESS OTHERWISE SPECIFIED | K.I | K.N/W.M | M.M | FEB.23.'00 |
| | | | | | | MATERIAL | | THIRD ANGLE PROJECTION | <i>K.I</i> | <i>M.M</i> | <i>W. Meyer</i> | <i>Ch. Anzaki</i> |
| | | | | | | | KYOCERA CORPORATION KYOTO JAPAN | DRAWING NO. | KD-VA0219 | | SHEET | 3 / 5 |
| | CHANGED | DATE | DRAWN | CHECKED | APPROVED | | | | | | | |



| | | | | | | | | | | | | | | | | | |
|--------------|---------|--|------|-------|---------|----------|-----------|------------------------------------|----------------------------|---------------|-----------|--------------|---------|-----------------|-----|------|------------|
| MODIFICATION | | | | | | NAME | 3 PIN LCC | TOLERANCE | UNLESS OTHERWISE SPECIFIED | DRAWN | K.I. | CHECKED | K.N/W.M | APPROVED | M.M | DATE | FEB.23.'00 |
| | | | | | | SCALE | 40 / 1 | MATERIAL | | | | | | | | | |
| | | | | | | | | | THIRD ANGLE PROJECTION | <i>Kilgus</i> | | <i>M.M.I</i> | | <i>An Anshu</i> | | | |
| | | | | | | | | | | | | | | | | | |
| | CHANGED | | DATE | DRAWN | CHECKED | APPROVED | | KYOCERA CORPORATION KYOTO JAPAN | | DRAWING NO. | KD-VA0219 | | | | | | SHEET |



| | | | | | | | | | | |
|--------------|---------|------|-------|---------|--------------|------------------------------------|---------------|--------------------|-----------------|----------------|
| MODIFICATION | | | | | NAME | TOLERANCE | DRAWN | CHECKED | APPROVED | DATE |
| | | | | | 3 PIN LCC | UNLESS OTHERWISE SPECIFIED | K.I | K.N/W.M | M.M | FEB.23.'00 |
| | | | | | SCALE 40 / 1 | MATERIAL | <i>K. Ito</i> | <i>M.MI</i> | <i>M. M. M.</i> | |
| | | | | | | THIRD ANGLE PROJECTION | | <i>W. Miyazaki</i> | | |
| | CHANGED | DATE | DRAWN | CHECKED | APPROVED | KYOCERA CORPORATION KYOTO JAPAN | DRAWING NO. | KD-VA0219 | | SHEET 5 / 5 |