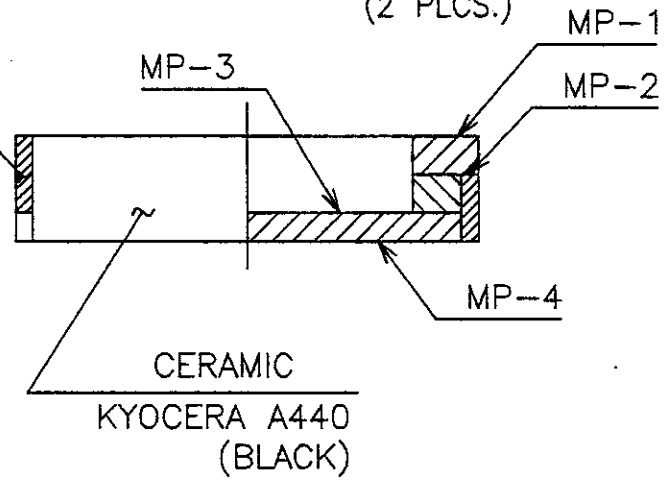


NOTES

1. PLATING THICKNESS TO BE PER CUSTOMER'S SPECIFICATION.
2. CONNECTION.
(A-1),(B-2),(C-3),(D-4),(E-5),(F-6),(S/R=NC)
3. CAMBER: .002 INCHES MAX.(SINGLE TYPE)
.013 INCHES MAX.(ARRAY TYPE)
4. 22 DEFECT PARTS MAX./SHEET.

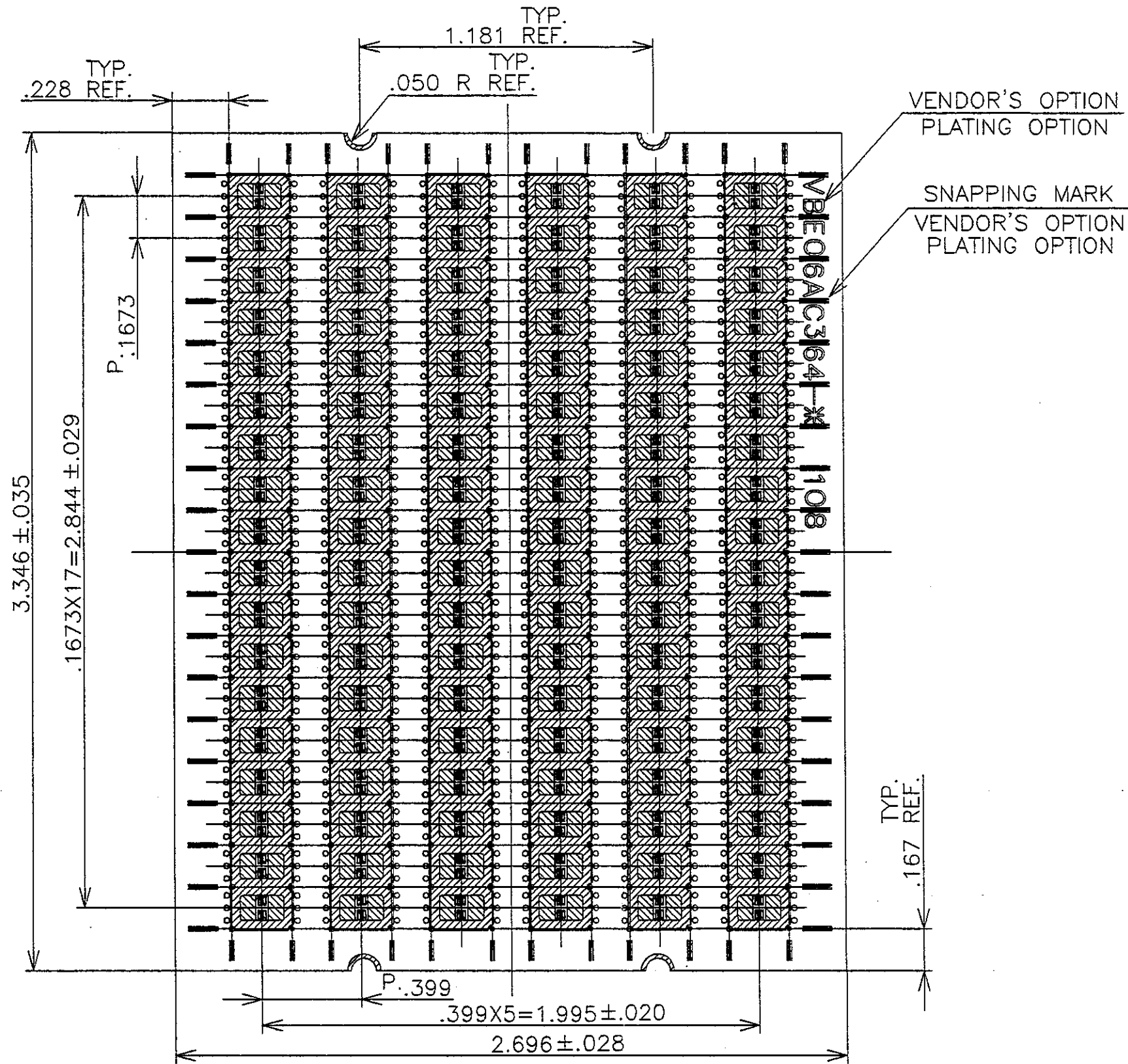
THIS METALLIZATION TO BE ELECTRICALLY CONNECTED TO THE SEAL RING. (2 PLCS.)



P/N	SHIPPING TYPE
01	SINGLE PART TYPE
02	ARRAY TYPE

VBE06AC364-* S=0 D=*

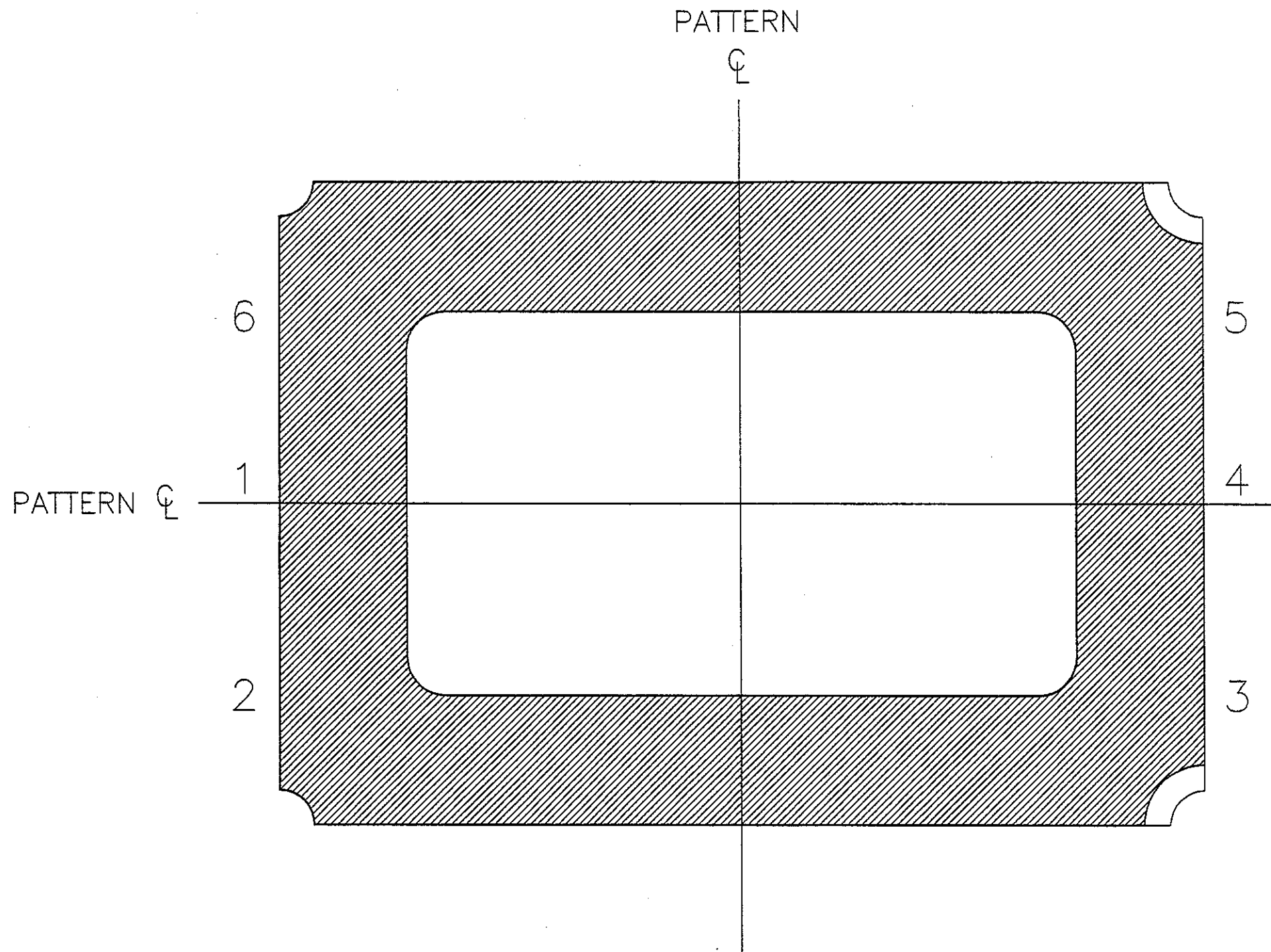
MODIFICATION						NAME 6 LEAD CHIP CARRIER	TOLERANCE UNLESS OTHERWISE SPECIFIED	DRAWN S.S.E	CHECKED H.T	APPROVED M.M	DATE APR.08.'94
						SCALE 10 / 1	MATERIAL AS INDICATED	±.005			
	REDRAWN (ADDED: SHEET (2/6~6/6))	MAY.13.'05	Y.A	T.M/W.M	H.K		KYOCERA CORPORATION KYOTO JAPAN	DRAWING NO.		SHEET	
	CHANGED	DATE	DRAWN	CHECKED	APPROVED			KD-V94364-A		1 / 6	



発行
2005. 7. 1
技設

ARRAY SHEET (108 CHIPS)

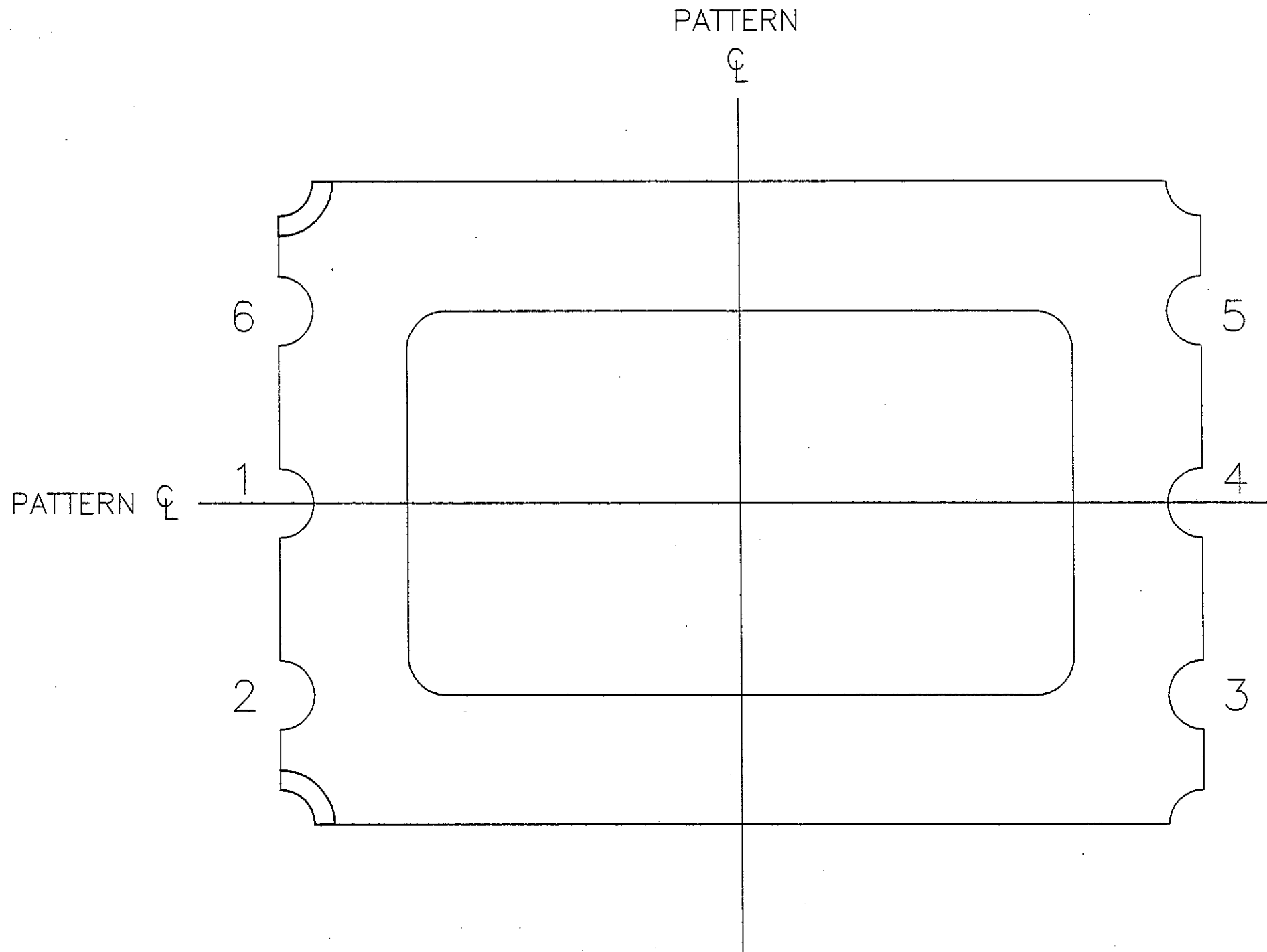
MODIFICATION						NAME 6 LEAD CHIP CARRIER	TOLERANCE UNLESS OTHERWISE SPECIFIED	DRAWN Y.M	CHECKED T.M/W.M	APPROVED H.K	DATE MAY.13.'05
						SCALE 2 / 1	MATERIAL	THIRD ANGLE PROJECTION			
△	ADDED : THIS SHEET	MAY.13.'05	Y.M	T.M/W.M	H.K	KYOCERA	KYOCERA CORPORATION KYOTO JAPAN	DRAWING NO.		SHEET	
	CHANGED	DATE	DRAWN	CHECKED	APPROVED			KD-V94364-A		2 / 6	



発行
2005. 7. 1
技設

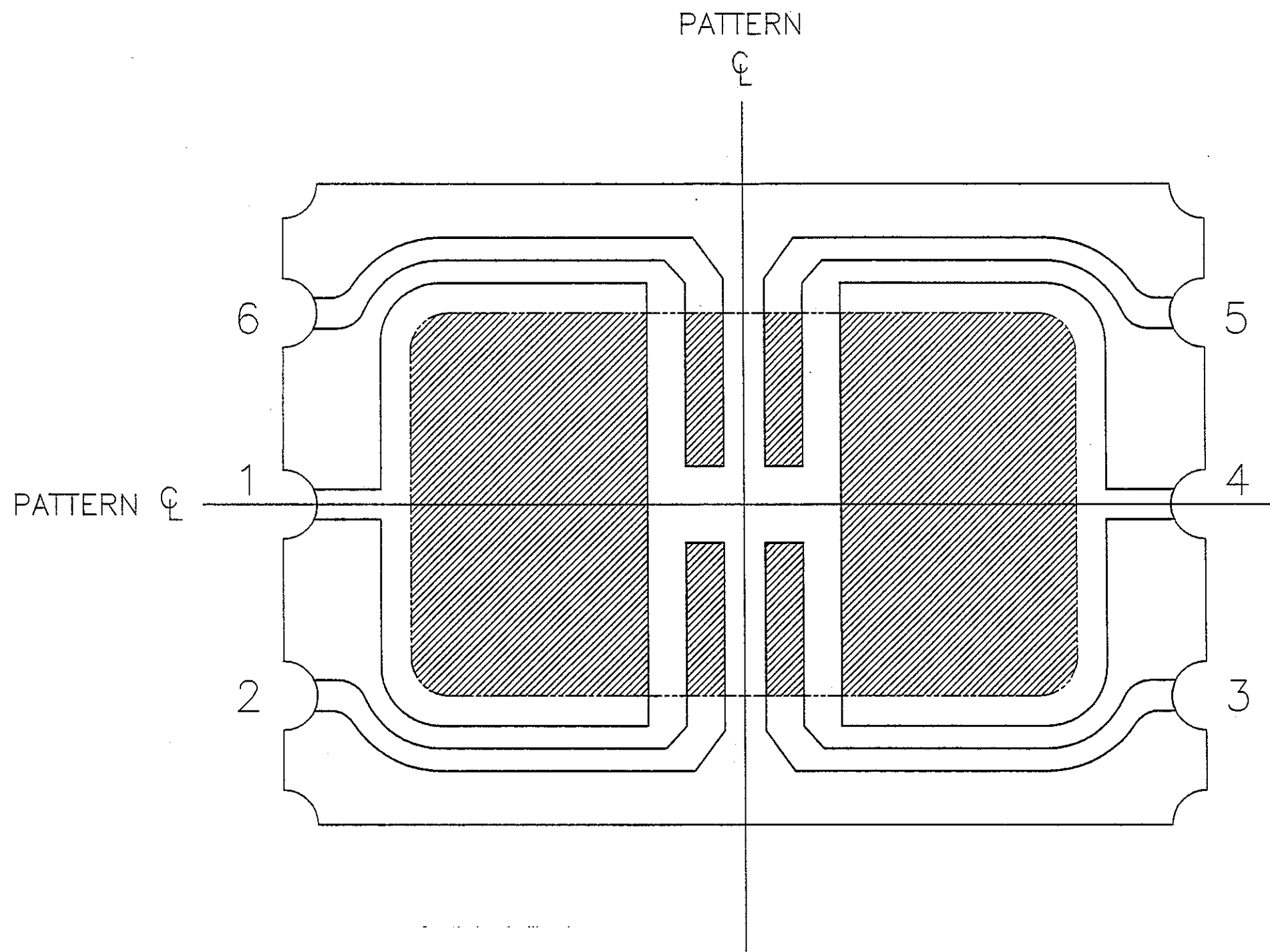
MP-1

MODIFICATION						NAME 6 LEAD CHIP CARRIER	TOLERANCE UNLESS OTHERWISE SPECIFIED	DRAWN Y.M	CHECKED T.M/W.M	APPROVED H.K	DATE MAY.13.'05
						SCALE 30 / 1	MATERIAL	THIRD ANGLE PROJECTION			
△	ADDED : THIS SHEET	MAY.13.'05	Y.M	T.M/W.M	H.K		KYOCERA CORPORATION KYOTO JAPAN	DRAWING NO.		KD-V94364-A	SHEET 3 / 6
	CHANGED	DATE	DRAWN	CHECKED	APPROVED						



MP-2

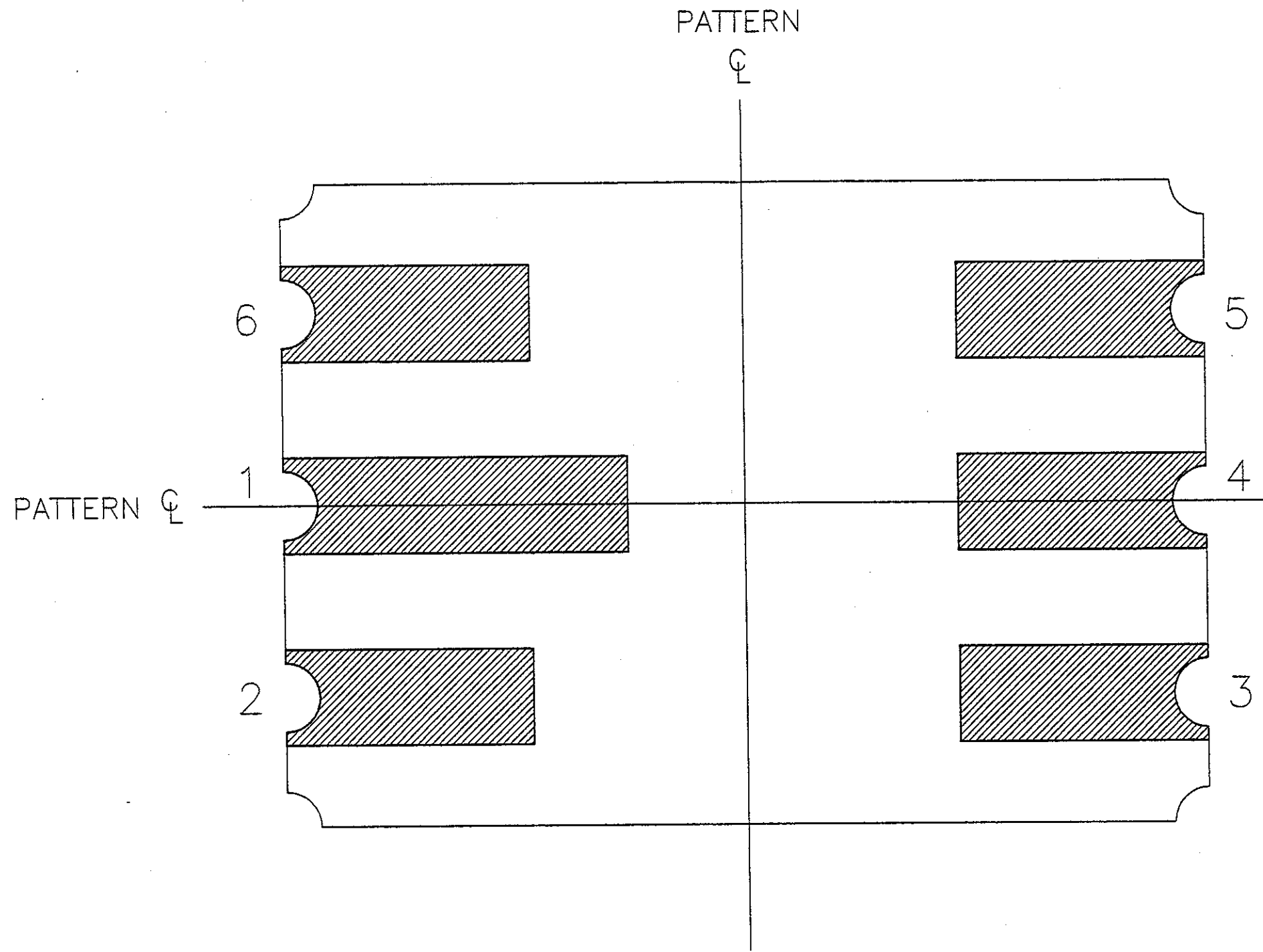
MODIFICATION						NAME 6 LEAD CHIP CARRIER	TOLERANCE UNLESS OTHERWISE SPECIFIED	DRAWN Y.M	CHECKED T.M/W.M	APPROVED H.K	DATE MAY.13.'05
						SCALE 30 / 1	MATERIAL				
							THIRD ANGLE PROJECTION				
	△	ADDED : THIS SHEET	MAY.13.'05	Y.M	T.M/W.M	H.K		KYOCERA CORPORATION KYOTO JAPAN		DRAWING NO.	SHEET
		CHANGED	DATE	DRAWN	CHECKED	APPROVED				KD-V94364-A	4 / 6



発行
2005. 7. 1
技設

MP-3

MODIFICATION						NAME 6 LEAD CHIP CARRIER	TOLERANCE UNLESS OTHERWISE SPECIFIED	DRAWN Y.M	CHECKED T.M/W.M	APPROVED H.K	DATE MAY.13.'05
						SCALE 30 / 1	MATERIAL	THIRD ANGLE PROJECTION			
△	ADDED : THIS SHEET	MAY.13.'05	Y.M	T.M/W.M	H.K		KYOCERA CORPORATION KYOTO JAPAN	DRAWING NO.		KD-V94364-A	SHEET 5/6
	CHANGED	DATE	DRAWN	CHECKED	APPROVED						



発行
2005. 7. 1
技設

MP-4
(TOP VIEW)

MODIFICATION						NAME 6 LEAD CHIP CARRIER	TOLERANCE UNLESS OTHERWISE SPECIFIED	DRAWN Y.M	CHECKED T.M/W.M	APPROVED H.K	DATE MAY.13.'05
						SCALE 30 / 1	MATERIAL				
							THIRD ANGLE PROJECTION	<i>Y. Mae</i>	<i>T. Matsuda</i>	<i>H. Kuro</i>	
	△	ADDED : THIS SHEET	MAY.13.'05	Y.M	T.M/W.M	H.K	 KYOCERA CORPORATION KYOTO JAPAN	DRAWING NO.			SHEET
		CHANGED	DATE	DRAWN	CHECKED	APPROVED		KD-V94364-A			6 / 6