

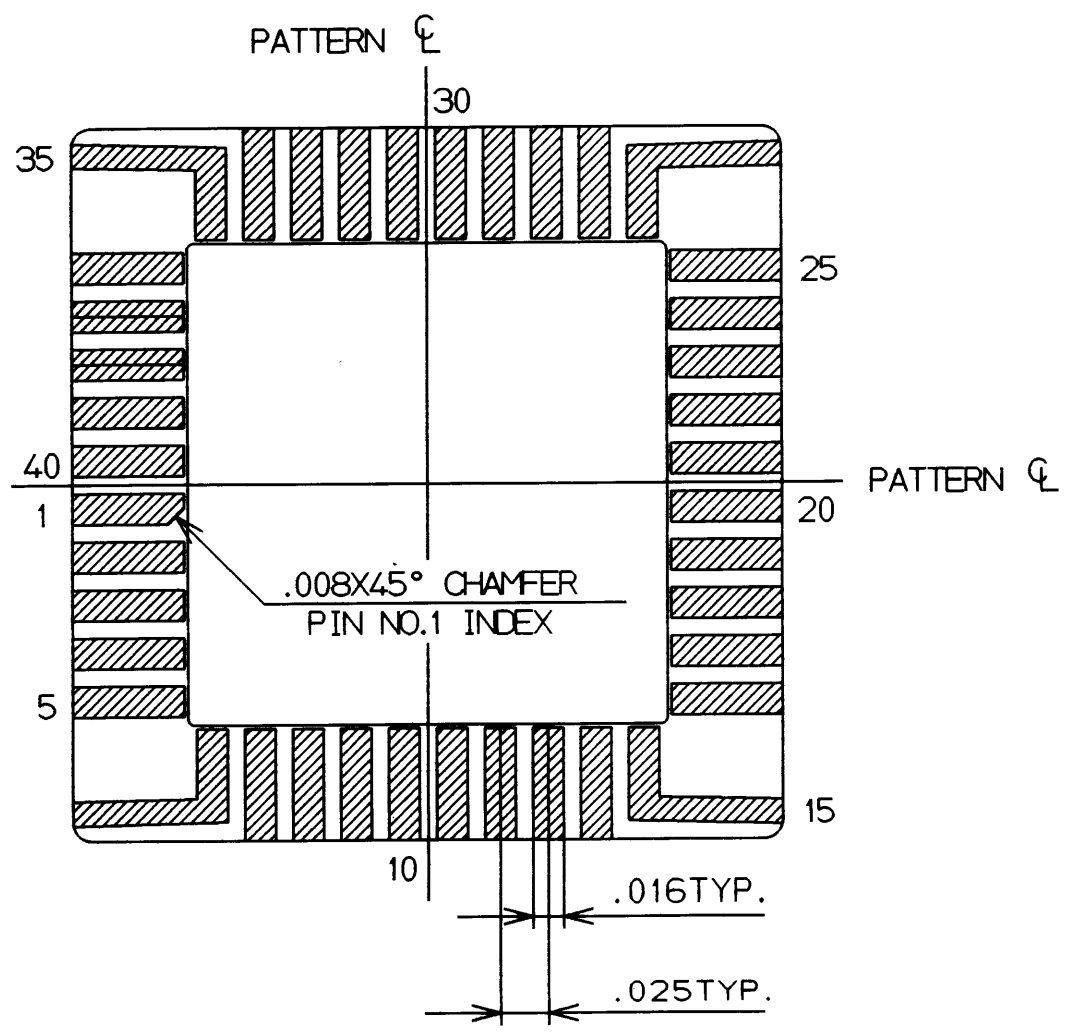
PART NO.	INDEX MARK	LEAD TIED DOWN
01		NIL.
02		PIN NO.1 ONLY.
03		PIN NO.40 ONLY

DETAIL-A

- NOTES
1. PLATING THICKNESS TO BE PER CUSTOMER'S SPECIFICATION.
  2. SEAL AREA TO BE METALLIZED.
  3. DIE ATTACH AREA TO BE METALLIZED.
  4. SEAL RING TO BE FLOATING FROM ANY PINS.
  5. LEAD RESISTANCE : 0.50Ω MAX.

SBO40I286-3	S=0 D=40
SBO40I286-2	S=0 D=1
SBO40I286-1	S=0 D=0

MODIFICATION	DATE	DRAWN	CHECKED	APPROVED	NAME	TOLERANCE UNLESS OTHERWISE SPECIFIED	DRAWN	CHECKED	APPROVED	DATE
							DRAWING NO. KD-S78286-D			SHEET 1/2



BONDING PATTERN

MODIFICATION						NAME	TOLERANCE	DRAWN	CHECKED	APPROVED	DATE
						40 LEAD SIDE BREAZED PACKAGE	UNLESS OTHERWISE SPECIFIED	H.SH	H.SU	T.A	SEP.07.'93
						SCALE 10 / 1	MATERIAL	<i>S. Fukui</i>	<i>T. Ohtsuka</i>	<i>T. Atsumi</i>	
	CHANGED		DATE	DRAWN	CHECKED	APPROVED	KYOCERA	KYOCERA CORPORATION KYOTO JAPAN	DRAWING NO.		SHEET
								KD-S78286-D		2/2	