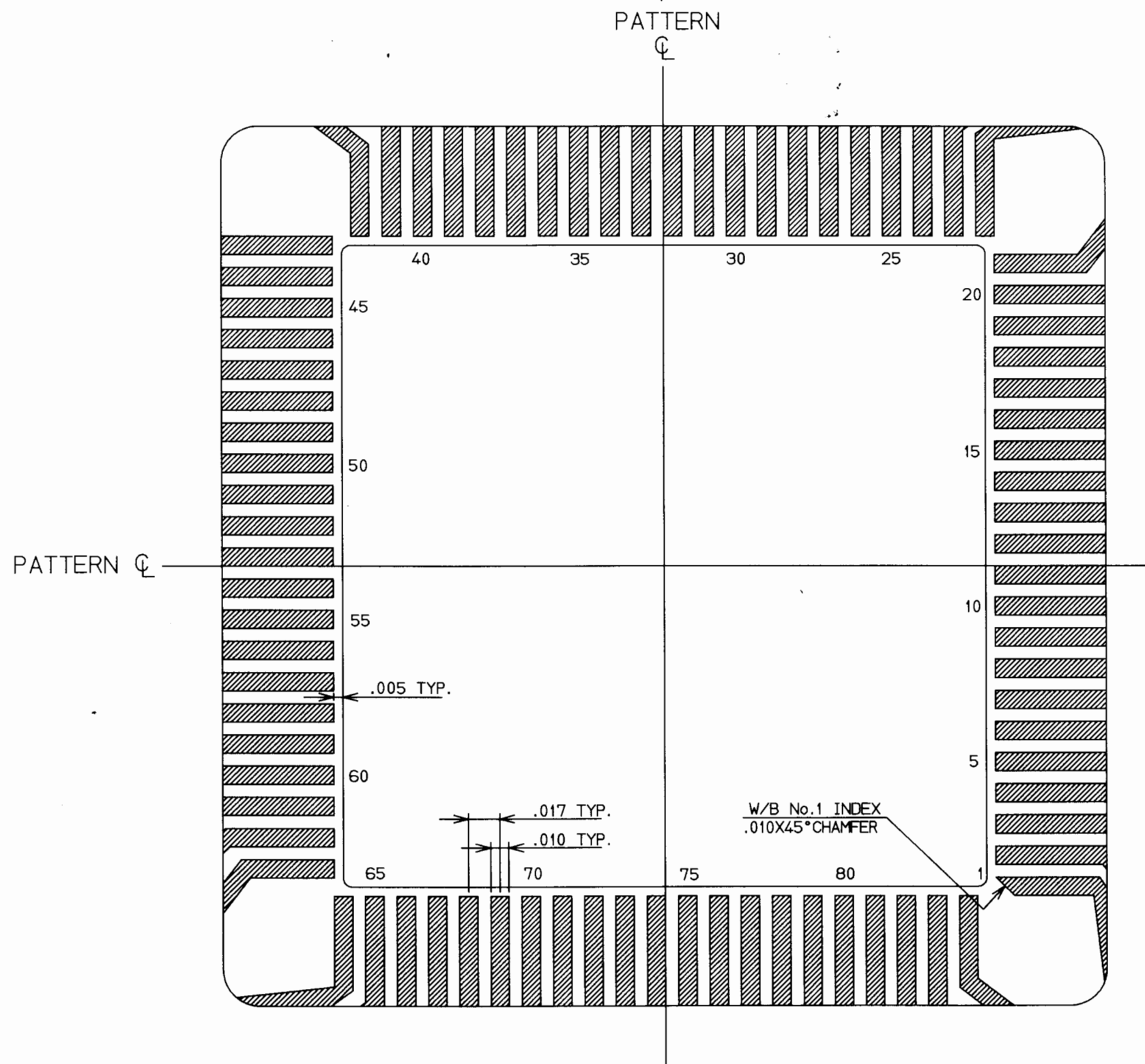


NOTES:

1. PLATING THICKNESS TO BE PER CUSTOMER'S SPECIFICATION.
2. SEAL AREA TO BE METALLIZED.
3. DIE ATTACH AREA TO BE METALLIZED.
4. SEAL RING AND DIE ATTACH PAD TO BE FLOATING FROM ANY PINS.
5. LEAD RESISTANCE:
  - W/B NO. 1, 11, 22, 32, 43, 53, 64, 74 ---- 0.3 OHM MAX.
  - THE OTHERS ---- 0.6 OHM MAX.

MODIFICATION						NAME	TOLERANCE	PB085T421-1 S=0 D=0			
						85 PIN GRID ARRAY PACKAGE	UNLESS OTHERWISE SPECIFIED	DRAWN	CHECKED	APPROVED	DATE
						SCALE 5/1	MATERIAL AS INDICATED	S.M	S.A	T.A	MAY.21.87
							$\pm .005$	THIRD ANGLE PROJECTION			
								DRAWING NO. KD-P87421-A			
								SHEET 1/3			
								DRAWING NO. KD-P87421-A			
								SHEET 1/3			
								DRAWING NO. KD-P87421-A			
								SHEET 1/3			
								DRAWING NO. KD-P87421-A			
								SHEET 1/3			
								DRAWING NO. KD-P87421-A			
								SHEET 1/3			
								DRAWING NO. KD-P87421-A			
								SHEET 1/3			
								DRAWING NO. KD-P87421-A			
								SHEET 1/3			
								DRAWING NO. KD-P87421-A			
								SHEET 1/3			
								DRAWING NO. KD-P87421-A			
								SHEET 1/3			
								DRAWING NO. KD-P87421-A			
								SHEET 1/3			
								DRAWING NO. KD-P87421-A			
								SHEET 1/3			
								DRAWING NO. KD-P87421-A			
								SHEET 1/3			
								DRAWING NO. KD-P87421-A			
								SHEET 1/3			
								DRAWING NO. KD-P87421-A			
								SHEET 1/3			
								DRAWING NO. KD-P87421-A			
								SHEET 1/3			
								DRAWING NO. KD-P87421-A			
								SHEET 1/3			
								DRAWING NO. KD-P87421-A			
								SHEET 1/3			
								DRAWING NO. KD-P87421-A			
								SHEET 1/3			
								DRAWING NO. KD-P87421-A			
								SHEET 1/3			
								DRAWING NO. KD-P87421-A			
								SHEET 1/3			
								DRAWING NO. KD-P87421-A			
								SHEET 1/3			
								DRAWING NO. KD-P87421-A			
								SHEET 1/3			
								DRAWING NO. KD-P87421-A			
								SHEET 1/3			
								DRAWING NO. KD-P87421-A			
								SHEET 1/3			
								DRAWING NO. KD-P87421-A			
								SHEET 1/3			
								DRAWING NO. KD-P87421-A			
								SHEET 1/3			
								DRAWING NO. KD-P87421-A			
								SHEET 1/3			
								DRAWING NO. KD-P87421-A			
								SHEET 1/3			
								DRAWING NO. KD-P87421-A			
								SHEET 1/3			
								DRAWING NO. KD-P87421-A			
								SHEET 1/3			
								DRAWING NO. KD-P87421-A			
								SHEET 1/3			
								DRAWING NO. KD-P87421-A			
								SHEET 1/3			
								DRAWING NO. KD-P87421-A			
								SHEET 1/3			
								DRAWING NO. KD-P87421-A			
								SHEET 1/3			
								DRAWING NO. KD-P87421-A			
								SHEET 1/3			
								DRAWING NO. KD-P87421-A			
								SHEET 1/3			
								DRAWING NO. KD-P87421-A			
								SHEET 1/3			
								DRAWING NO. KD-P87421-A			
								SHEET 1/3			
								DRAWING NO. KD-P87421-A			
								SHEET 1/3			
								DRAWING NO. KD-P87421-A			
								SHEET 1/3			
								DRAWING NO. KD-P87421-A			
								SHEET 1/3			
								DRAWING NO. KD-P87421-A			
								SHEET 1/3			
								DRAWING NO. KD-P87421-A			
								SHEET 1/3			
								DRAWING NO. KD-P87421-A			
								SHEET 1/3			
								DRAWING NO. KD-P87421-A			
								SHEET 1/3			
								DRAWING NO. KD-P87421-A			
								SHEET 1/3			
								DRAWING NO. KD-P87421-A			
								SHEET 1/3			
								DRAWING NO. KD-P87421-A			
								SHEET 1/3			
								DRAWING NO. KD-P87421-A			
								SHEET 1/3			
								DRAWING NO. KD-P87421-A			
								SHEET 1/3			
								DRAWING NO. KD-P87421-A			
								SHEET 1/3			
								DRAWING NO. KD-P87421-A			
								SHEET 1/3			
								DRAWING NO. KD-P87421-A			
								SHEET 1/3			
								DRAWING NO. KD-P87421-A			
								SHEET 1/3			
								DRAWING NO. KD-P87421-A			
								SHEET 1/3			
								DRAWING NO. KD-P87421-A			
								SHEET 1/3			
								DRAWING NO. KD-P87421-A			
								SHEET 1/3			
								DRAWING NO. KD-P87421-A			
								SHEET 1/3			
								DRAWING NO. KD-P87421-A			
								SHEET 1/3			
								DRAWING NO. KD-P87421-A			
								SHEET 1/3			
								DRAWING NO. KD-P87421-A			
								SHEET 1/3			
								DRAWING NO. KD-P87421-A			
								SHEET 1/3			
								DRAWING NO. KD-P87421-A			
								SHEET 1/3			
								DRAWING NO. KD-P87421-A			
								SHEET 1/3			
								DRAWING NO. KD-P87421-A			
								SHEET 1/3			
								DRAWING NO. KD-P87421-A			
								SHEET 1/3			
								DRAWING NO. KD-P87421-A			
								SHEET 1/3			
								DRAWING NO. KD-P87421-A			
								SHEET 1/3			
								DRAWING NO. KD-P87421-A			
								SHEET 1/3			
								DRAWING NO. KD-P87421-A			
								SHEET 1/3			
								DRAWING NO. KD-P87421-A			
								SHEET 1/3			
								DRAWING NO. KD-P87421-A			
								SHEET 1/3			
								DRAWING NO. KD-P87421-A			
								SHEET 1/3			
								DRAWING NO. KD-P87421-A			
								SHEET 1/3			
								DRAWING NO. KD-P87421-A			
								SHEET 1/3			
								DRAWING NO. KD-P87421-A			
								SHEET 1/3			
								DRAWING NO. KD-P87421-A			
								SHEET 1/3			
								DRAWING NO. KD-P87421-A			
								SHEET 1/3			
								DRAWING NO. KD-P87421-A			
								SHEET 1/3			
								DRAWING NO. KD-P87421-A			
								SHEET 1/3			
								DRAWING NO. KD-P87421-A			
								SHEET 1/3			
								DRAWING NO. KD-P87421-A			
								SHEET 1/3			
								DRAWING NO. KD-P87421-A			
								SHEET 1/3			
								DRAWING NO. KD-P87421-A			
								SHEET 1/3			
		</									



BONDING PATTERN


MODIFICATION					NAME	TOLERANCE	DRAWN	CHECKED	APPROVED	DATE
					85 PIN GRID ARRAY PACKAGE	UNLESS OTHERWISE SPECIFIED	S.M	S.A	T.A	MAY.21.'87
					SCALE 20/1	MATERIAL	H. Kawai	H. Saito	H. Saito	
	△ REDRAWN (CONVERTED TO CAD DATA)	FEB.28.'00	H.K.Y.T	H.S./S.NI	H.SA	THIRD ANGLE PROJECTION				
	CHANGED	DATE	DRAWN	CHECKED	APPROVED		KYOCERA CORPORATION KYOTO JAPAN		DRAWING NO.	SHEET
									KD-P87421-A	2/3

WIRE BOND PAD / CONNECTOR PIN INTERCONNECTION PLAN

W/B NO.	PIN NO.	W/B NO.	PIN NO.	W/B NO.	PIN NO.	W/B NO.	PIN NO.	W/B NO.	PIN NO.
1	B 2	21	L 1	41	K 9	61	B11	81	A 3
2	C 2	22	K 2	42	L11	62	C10	82	A 2
3	B 1	23	K 3	43	K10	63	A11	83	B 3
4	C 1	24	L 2	44	J10	64	B10	84	A 1
5	D 2	25	L 3	45	K11	65	B 9		
6	D 1	26	K 4	46	J11	66	A10		
7	E 3	27	L 4	47	H10	67	A 9		
8	E 2	28	J 5	48	H11	68	B 8		
9	E 1	29	K 5	49	F10	69	A 8		
10	F 2	30	L 5	50	G10	70	B 6		
11	F 3	31	K 6	51	G11	71	B 7		
12	G 3	32	J 6	52	G 9	72	A 7		
13	G 1	33	J 7	53	F 9	73	C 7		
14	G 2	34	L 7	54	F11	74	C 6		
15	F 1	35	K 7	55	E11	75	A 6		
16	H 1	36	L 6	56	E10	76	A 5		
17	H 2	37	L 8	57	E 9	77	B 5		
18	J 1	38	K 8	58	D11	78	C 5		
19	K 1	39	L 9	59	D10	79	A 4		
20	J 2	40	L10	60	C11	80	B 4		

S/R	N C
D/A	N C
EXTRA PIN (C3)	C 2

MODIFICATION						NAME	TOLERANCE	DRAWN	CHECKED	APPROVED	DATE
						85 PIN GRID ARRAY PACKAGE	UNLESS OTHERWISE SPECIFIED	S.M	S.A	T.A	MAY.21.'87
						SCALE $\times$	MATERIAL	<i>H. Kawada</i>	<i>Y. Kubota</i>	<i>H. Sasaki</i>	
	$\triangle$	REDRAWN (CONVERTED TO CAD DATA)	FEB.28.'00	H.K/Y.T	H.S/S.NI	H.SA	 KYOCERA CORPORATION KYOTO JAPAN	DRAWING NO.			SHEET
	CHANGED	DATE	DRAWN	CHECKED	APPROVED	KD-P87421-A			3/3		