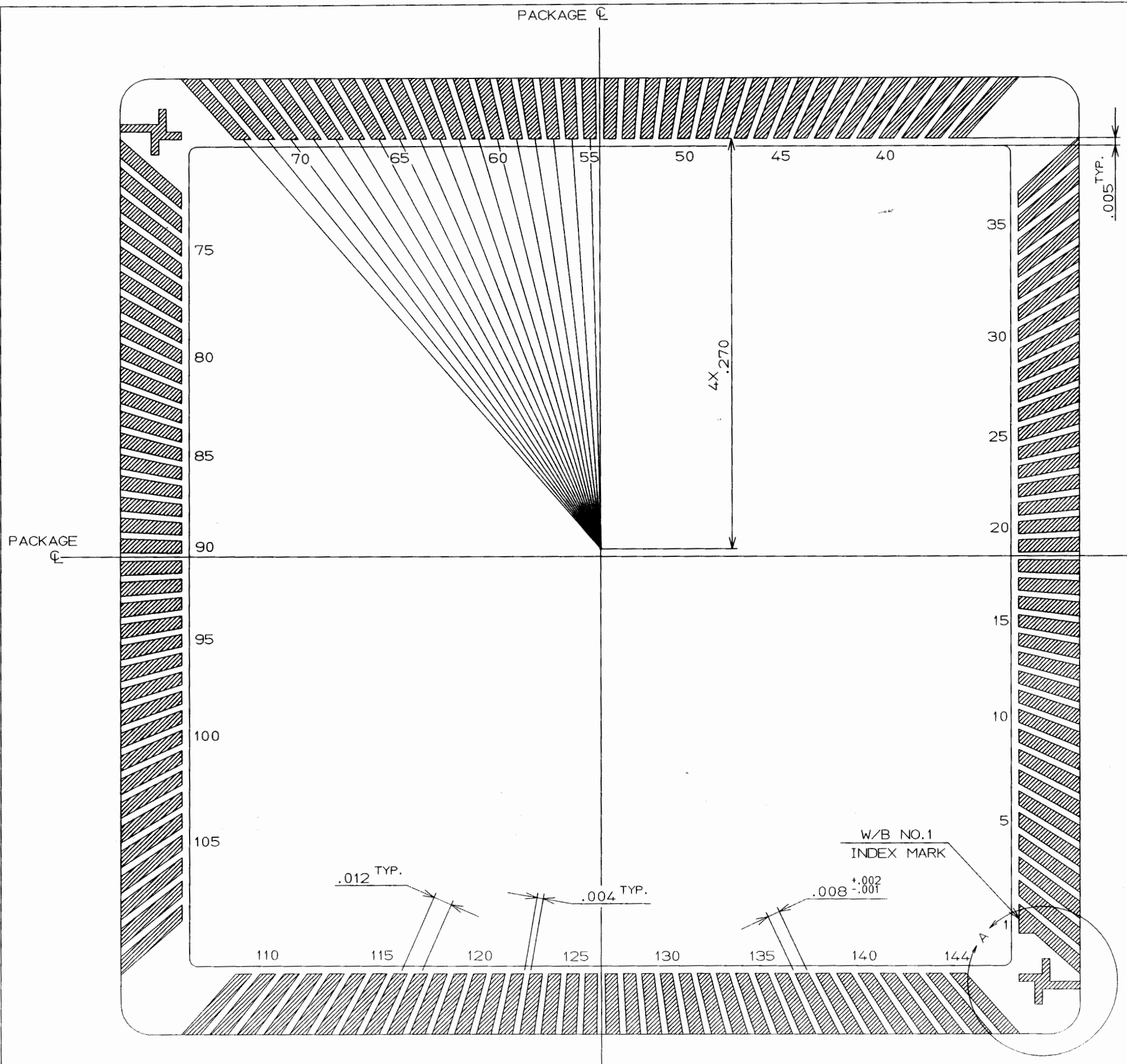
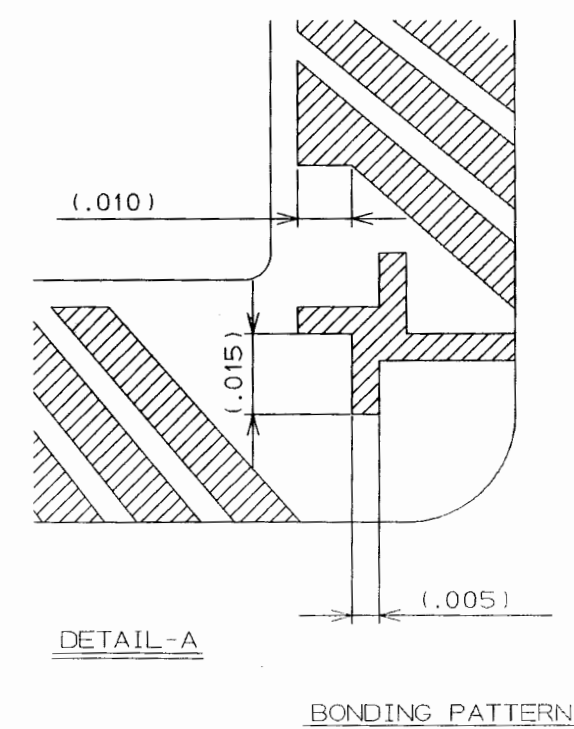


- NOTES
1. PLATING THICKNESS TO BE PER CUSTOMER'S SPECIFICATION.
 2. SEAL AREA TO BE METALLIZED.
 3. DIE ATTACH AREA TO BE METALLIZED.
 4. LEAD RESISTANCE :W/B NO.18,19,54,55,90,91,126,127---0.23 OHM MAX.
W/B NO.1,37,73,109-----0.25 OHM MAX.
THE OTHERS-----0.80 OHM MAX.
 5. SEAL RING AND DIE ATTACH PAD TO BE FLOATING FROM ANY PINS.

					NAME 145 PIN GRID ARRAY PACKAGE		TOLERANCE UNLESS OTHERWISE SPECIFIED ±.005 THIRD ANGLE PROJECTION		PB145S455-2 S=0 D=0							
					SCALE 5/1		MATERIAL AS INDICATED		DRAWN N.I		CHECKED AF		APPROVED M.K		DATE FEB.7.'90	
MODIFICATION					DATE		DRAWN		CHECKED		APPROVED		DRAWING NO. KD-P86455-D		SHEET 1/3	
△ REDRAWN (CONVERTED TO CAD DATA) CHANGED					JUN.16.'04		S.N		S.NI/A.F		H.SA		KYOCERA CORPORATION KYOTO JAPAN			



W/B NO.	W/B ANGLE
18,19,54,55,90,91,126,127	1.380
17,20,53,56,89,92,125,128	3.924
16,21,52,57,88,93,124,129	6.463
15,22,51,58,87,94,123,130	8.992
14,23,50,59,86,95,122,131	11.505
13,24,49,60,85,96,121,132	13.999
12,25,48,61,84,97,120,133	16.468
11,26,47,62,83,98,119,134	18.909
10,27,46,63,82,99,118,135	21.316
9,28,45,64,81,100,117,136	23.687
8,29,44,65,80,101,116,137	26.018
7,30,43,66,79,102,115,138	28.305
6,31,42,67,78,103,114,139	30.546
5,32,41,68,77,104,113,140	32.738
4,33,40,69,76,105,112,141	34.879
3,34,39,70,75,106,111,142	36.967
2,35,38,71,74,107,110,143	39.001
1,36,37,72,73,108,109,144	40.979



MODIFICATION					NAME	TOLERANCE	DRAWN	CHECKED	APPROVED	DATE
					145 PIN GRID ARRAY PACKAGE	UNLESS OTHERWISE SPECIFIED	N. I	A. F	M. K	FEB. 7 '90
				SCALE 20/1	MATERIAL					
						THIRD ANGLE PROJECTION				
Δ REDRAWN (CONVERTED TO CAD DATA)	JUN. 16 '04	S. N	S. NI/A.F	H. SA	KYOCERA CORPORATION KYOTO JAPAN	DRAWING NO.		SHEET		
CHANGED	DATE	DRAWN	CHECKED	APPROVED		KD-P86455-D	2/3			

WIRE BOND PAD / CONNECTOR PIN INTERCONNECTION PLAN

W/B NO.	PIN NO.	W/B NO.	PIN NO.	W/B NO.	PIN NO.	W/B NO.	PIN NO.	W/B NO.	PIN NO.	W/B NO.	PIN NO.	W/B NO.	PIN NO.
1	D3	27	M1	53	R8	79	L14	105	D13	131	B6		
2	C2	28	N1	54	N8	80	M15	106	C13	132	C6		
3	B1	29	M2	55	N9	81	K13	107	B14	133	A5		
4	D2	30	L3	56	R9	82	K14	108	A15	134	B5		
5	E3	31	N2	57	R10	83	L15	109	C12	135	A4		
6	C1	32	P1	58	P9	84	J14	110	B13	136	A3		
7	E2	33	M3	59	P10	85	J13	111	A14	137	B4		
8	D1	34	N3	60	N10	86	K15	112	B12	138	C5		
9	F3	35	P2	61	R11	87	J15	113	C11	139	B3		
10	F2	36	R1	62	P11	88	H14	114	A13	140	A2		
11	E1	37	N4	63	R12	89	H15	115	B11	141	C4		
12	G2	38	P3	64	R13	90	H13	116	A12	142	C3		
13	G3	39	R2	65	P12	91	G13	117	C10	143	B2		
14	F1	40	P4	66	N11	92	G15	118	B10	144	A1		
15	G1	41	N5	67	P13	93	F15	119	A11				
16	H2	42	R3	68	R14	94	G14	120	B9				
17	H1	43	P5	69	N12	95	F14	121	C9				
18	H3	44	R4	70	N13	96	F13	122	A10				
19	J3	45	N6	71	P14	97	E15	123	A9				
20	J1	46	P6	72	R15	98	E14	124	B8				
21	K1	47	R5	73	M13	99	D15	125	A8				
22	J2	48	P7	74	N14	100	C15	126	C8				
23	K2	49	N7	75	P15	101	D14	127	C7				
24	K3	50	R6	76	M14	102	E13	128	A7*				
25	L1	51	R7	77	L13	103	C14	129	A6				
26	L2	52	P8	78	N15	104	B15	130	B7				

EXTRA PIN	
D4	D3
S/R	NC
D/A	NC

MODIFICATION						NAME 145 PIN GRID ARRAY PACKAGE	TOLERANCE UNLESS OTHERWISE SPECIFIED	DRAWN N.I.	CHECKED A.F.	APPROVED M.K.	DATE FEB.7.'90
	△	REDRAWN (CONVERTED TO CAD DATA)	JUN.16.'04	S.N.	S.NI/A.F.	H.SA	SCALE X	MATERIAL	THIRD ANGLE PROJECTION		
	CHANGED		DATE	DRAWN	CHECKED	APPROVED		KYOCERA CORPORATION KYOTO JAPAN	DRAWING NO. KD-P86455-D	SHEET 3/3	