

NOTES: UNLESS OTHERWISE SPECIFIED

- ALL EXPOSED METAL AND METALIZED AREAS TO BE GOLD PLATED
60 MICROINCHES MINIMUM OVER 100 MICROINCHES MINIMUM NICKEL.
- INDEX MARK MUST BE WITHIN SPECIFIED AREA, CLEARLY VISIBLE AND
MUST NOT BE SMALLER THAN .030.

- LEAD RESISTANCE:
PINS: G2, G3, M7, L7, G12, G11, B7, C7.....0.2 ohms MAXIMUM.
PINS: C3, L3, L11, C11.....0.5 ohms MAXIMUM.
ALL OTHERS.....0.8 ohms MAXIMUM.

Z	KOVAR
Y	BRAZE: Ag-Cu ALLOY
X	CERAMIC: 90%-93% BLACK ALUMINA
W	GOLD METALIZATION
V	DIELECTRIC
ITEM	DESCRIPTION
	MATERIALS

QUALITY ASSURANCE PROFESSIONAL
Requirements must be in accordance
with MIL-STD-883C and an applicable number.
The preparing activity reserves the
right to purchase inspection in ac-
cordance with this specification and
to return specimens that fail.

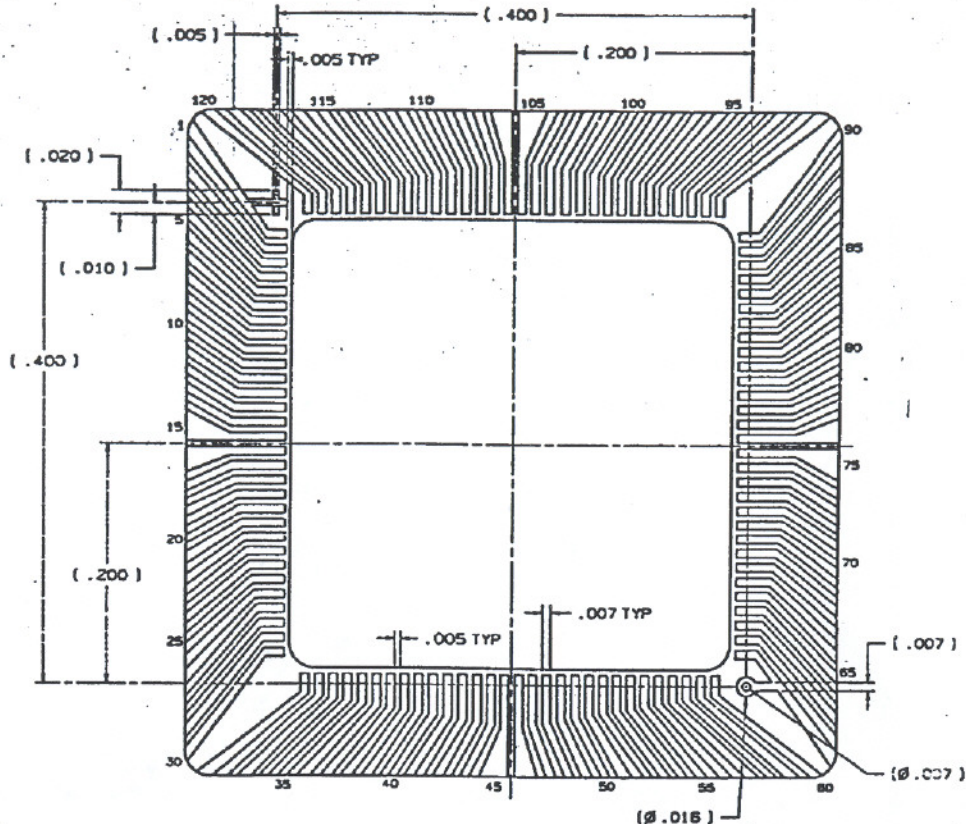
APPROVALS		DATE
DESIGNED BY	D. E. BARRY	06/18/70
DRAWN BY	J. L. BARRY	06/22/70
CHECKED BY		
DATE		
SEE TABLE		
FORM	N/A	
DO NOT SCALE DIMENSIONS		

KD-P 85B 81A

PIN GRID ARRAY,
CERAMIC, 120 PIN,
CAVITY UP

01	015019	FULL	GOLD	A.L.O.
OPT STOCK	*PLATING	CAVITY	LEADS	GROUND

BOND PAD/PIN CONNECTION TABLE					
W/B No.	PIN No.	W/B No.	PIN No.	W/B No.	PIN No.
1	C3	41	N5	81	E13
2	B2	42	L6	82	E12
3	B1	43	M6	83	D13
4	D3	44	N5	84	E11
5	C2	45	M7	85	D12
6	C1	46	L7	86	C13
7	D2	47	N7	87	B13
8	E3	48	N8	88	D11
9	D1	49	M8	89	C12
10	E2	50	L8	90	A13
11	E1	51	N9	91	C11
12	F3	52	M9	92	B12
13	F2	53	N10	93	A12
14	F1	54	L9	94	C10
15	G2	55	M10	95	B11
16	G3	56	N11	96	A11
17	H1	57	N12	97	B10
18	H1	58	L10	98	C9
19	H2	59	M11	99	A10
20	H3	60	N13	100	B9
21	J1	61	L11	101	A9
22	J2	62	M12	102	C8
23	K1	63	M13	103	B8
24	J3	64	K11	104	A8
25	K2	65	L12	105	B7
26	L1	66	L13	106	C7
27	M1	67	K12	107	A7
28	K3	68	J11	108	A6
29	L2	69	K13	109	B6
30	N1	70	J12	110	C6
31	L3	71	J13	111	A5
32	M2	72	H11	112	B5
33	N2	73	H12	113	A4
34	L4	74	H13	114	C5
35	M3	75	G12	115	B4
36	N3	76	G11	116	A3
37	M4	77	G13	117	A2
38	L5	78	F13	118	C4
39	N4	79	F12	119	B3
40	M5	80	F11	120	A1



BOND PAD DETAIL
SCALE: 20X

QUALITY ASSURANCE PROVISIONS
Requirements shall be in accordance with NSC Staff Procurement Specifications 1000 and its specified herein. The purchaser hereby assumes the right to pursue inspection or surveillance with this specification and to return shipments that fail.

APPROVALS	DATE
DESIGNER D.E. GRAY	08/18/89
APPROVER JOS & N/A	
REWORK JOS & N/A	
REVISION JOS & N/A	
DATE 08/18/89	
BY JOS & N/A	
FOR JOS & N/A	
DO NOT SCALE DRAWING	

PIN GRID ARRAY,
CERAMIC, 120 PIN,
CAVITY UP