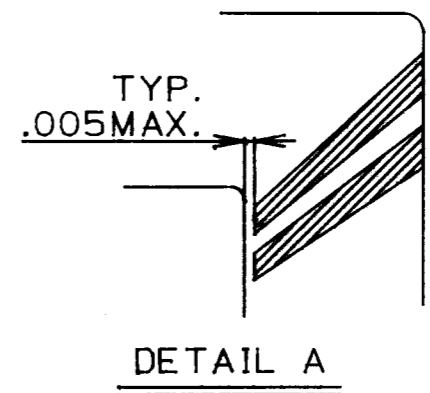
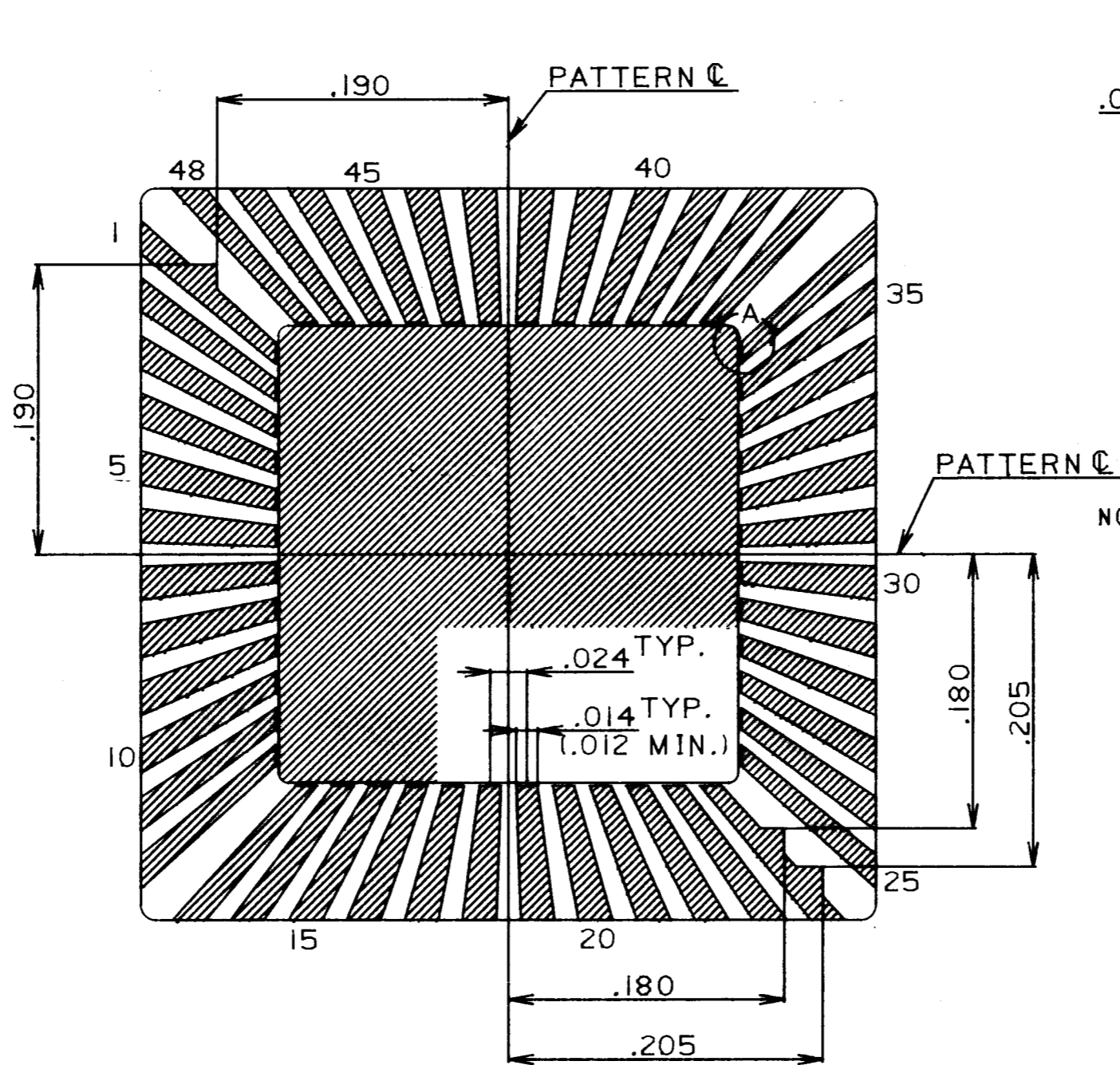


MODIFICATION		NAME 48 LEAD FLAT PACKAGE		TOLERANCE UNLESS OTHERWISE SPECIFIED		DRAWN CHECKED APPROVED DATE	
		SCALE 5/1		± .005 THIRD ANGLE PROJECTION		Y.M K.O K.M SEP.29.86	
		MATERIAL AS INDICATED		KYOCERA		DRAWING NO. SHEET	
CHANGED		DATE DRAWN CHECKED APPROVED		KYOCERA CORPORATION KYOTO JAPAN		KD-F86889 1/2	

FB048S889-1 S=0 D=0



NOTES.

1. PLATING THICKNESS TO BE PER CUSTOMER'S SPECIFICATION.
2. SEAL AREA TO BE METALLIZED.
3. DIE ATTACH AREA TO BE METALLIZED.
4. SEAL RING AND DIE ATTACH PAD TO BE FLOATING FROM ANY PINS.
5. LEAD RESISTANCE : 0.70 MAX.

BONDING PATTERN

MODIFICATION						NAME	48 LEAD FLAT PACKAGE	TOLERANCE	UNLESS OTHERWISE SPECIFIED	DRAWN	CHECKED	APPROVED	DATE
						SCALE	10/1	±	—	Y.M	K.O	K.M	SEP.29.86
							MATERIAL	THIRD ANGLE PROJECTION		<i>Y. Maeno</i> <i>x. ohashi</i> <i>M. Matsuda</i>			
	CHANGED		DATE	DRAWN	CHECKED	APPROVED		KYOCERA CORPORATION KYOTO JAPAN		DRAWING NO.	KD-F86889		SHEET 2/2