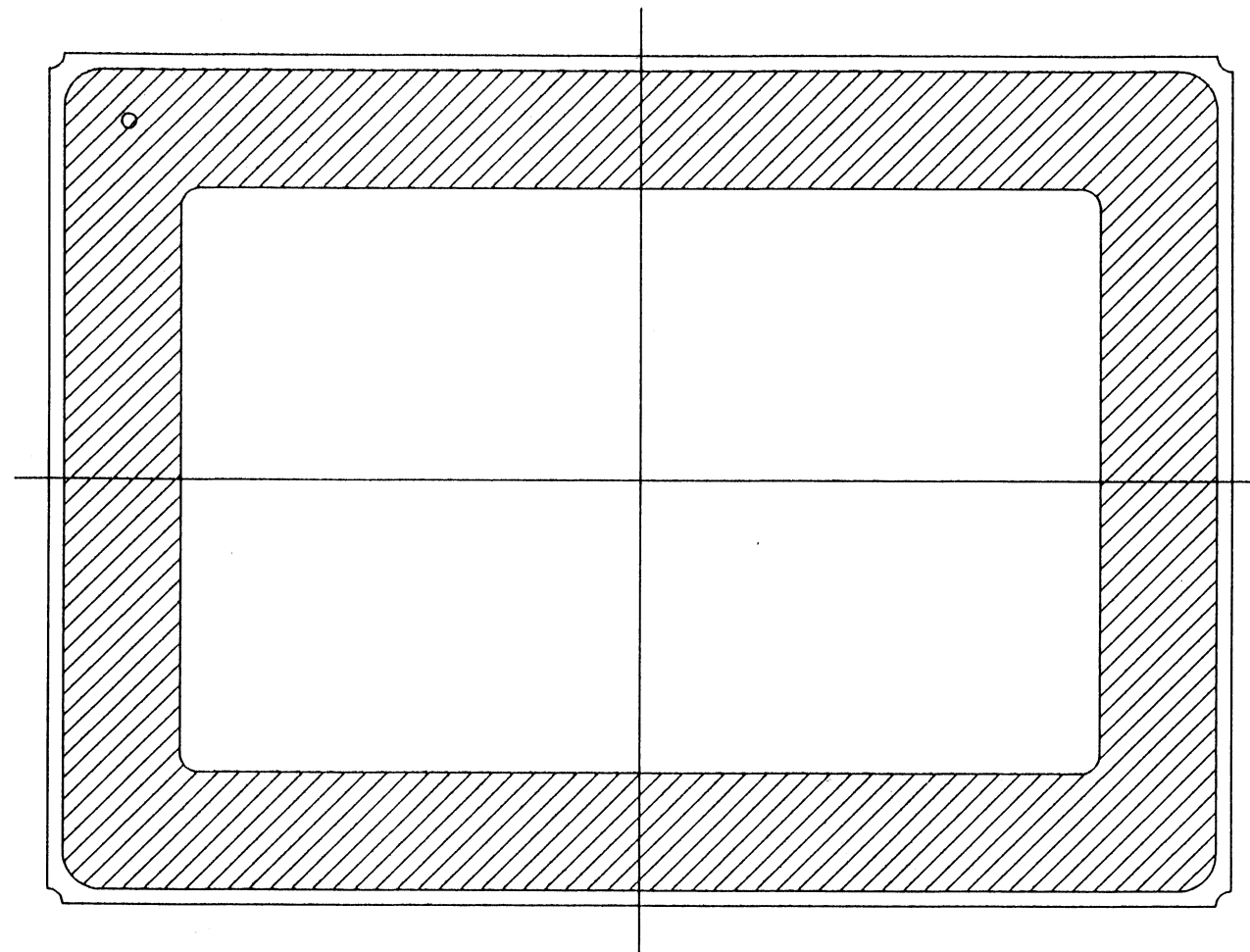



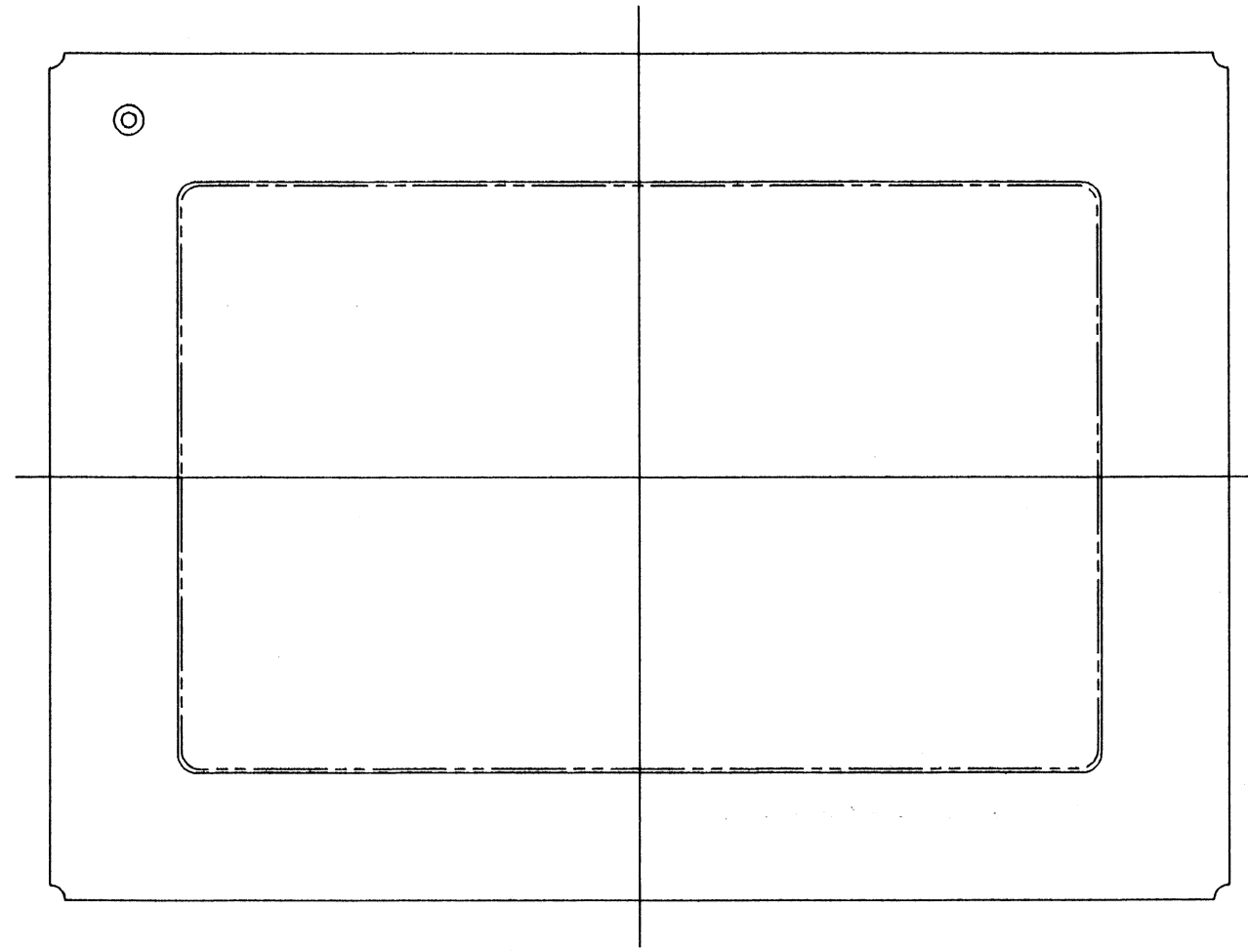
- NOTES : 1. ELECTROLYTIC PLATING : (Ni 50 μ INCH MIN.)
(Au 60 μ INCH MIN.)
2. CAMBER : .003MAX.
3. ELECTRICAL SPECIFICATION
(1-A), (2-B), (3-C), (4: ISOLATED)

| | | | | | | | | | | |
|--------------|---------|------|-------|---------|----------------------------------|---|------------------------|----------------------------|------------------|--------------------|
| MODIFICATION | | | | | NAME ALN PACKAGE FOR TO-220-A | TOLERANCE UNLESS OTHERWISE SPECIFIED | DRAWN N. I | CHECKED M.MU/M.MA | APPROVED T. A | DATE FEB.23.'94 |
| | | | | | SCALE 5 / 1 | MATERIAL AS INDICATED | ±.008 | | | |
| | | | | | | KYOCERA CORPORATION KYOTO JAPAN | THIRD ANGLE PROJECTION | <i>R. Shibasaki</i> | <i>M. Maeda</i> | <i>T. Matsui</i> |
| | CHANGED | DATE | DRAWN | CHECKED | | | APPROVED | DRAWING NO. KD-E94196-A | SHEET 1 / 7 | |



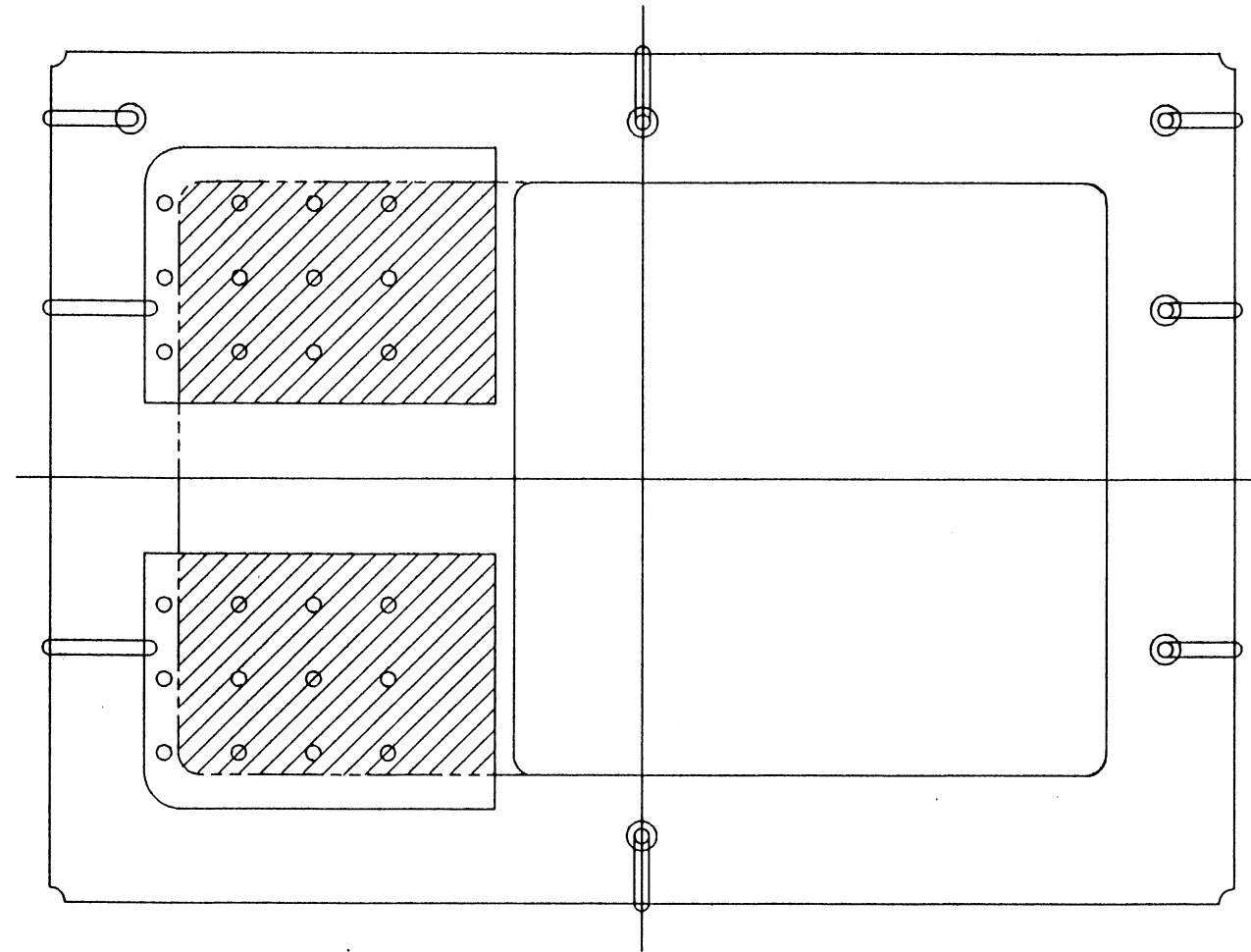
MP - 1

| | | | | | | | | | | | |
|--------------|---------|--|------|-------|---------|--------------------------|---|------------------------------------|--------------------|--------------------|--------------------|
| MODIFICATION | | | | | | NAME | TOLERANCE | DRAWN | CHECKED | APPROVED | DATE |
| | | | | | | ALN PACKAGE FOR TO-220-A | UNLESS OTHERWISE SPECIFIED | N. I | M.MU/M.MA | T. A | FEB. 23. '94 |
| | | | | | | SCALE 10 / 1 | MATERIAL | | <i>[Signature]</i> | <i>[Signature]</i> | |
| | | | | | | | | THIRD ANGLE PROJECTION | <i>[Signature]</i> | <i>[Signature]</i> | <i>[Signature]</i> |
| | CHANGED | | DATE | DRAWN | CHECKED | APPROVED |  | KYOCERA CORPORATION KYOTO JAPAN | DRAWING NO. | | SHEET |
| | | | | | | | | KD-E94196-A | | 2/7 | |



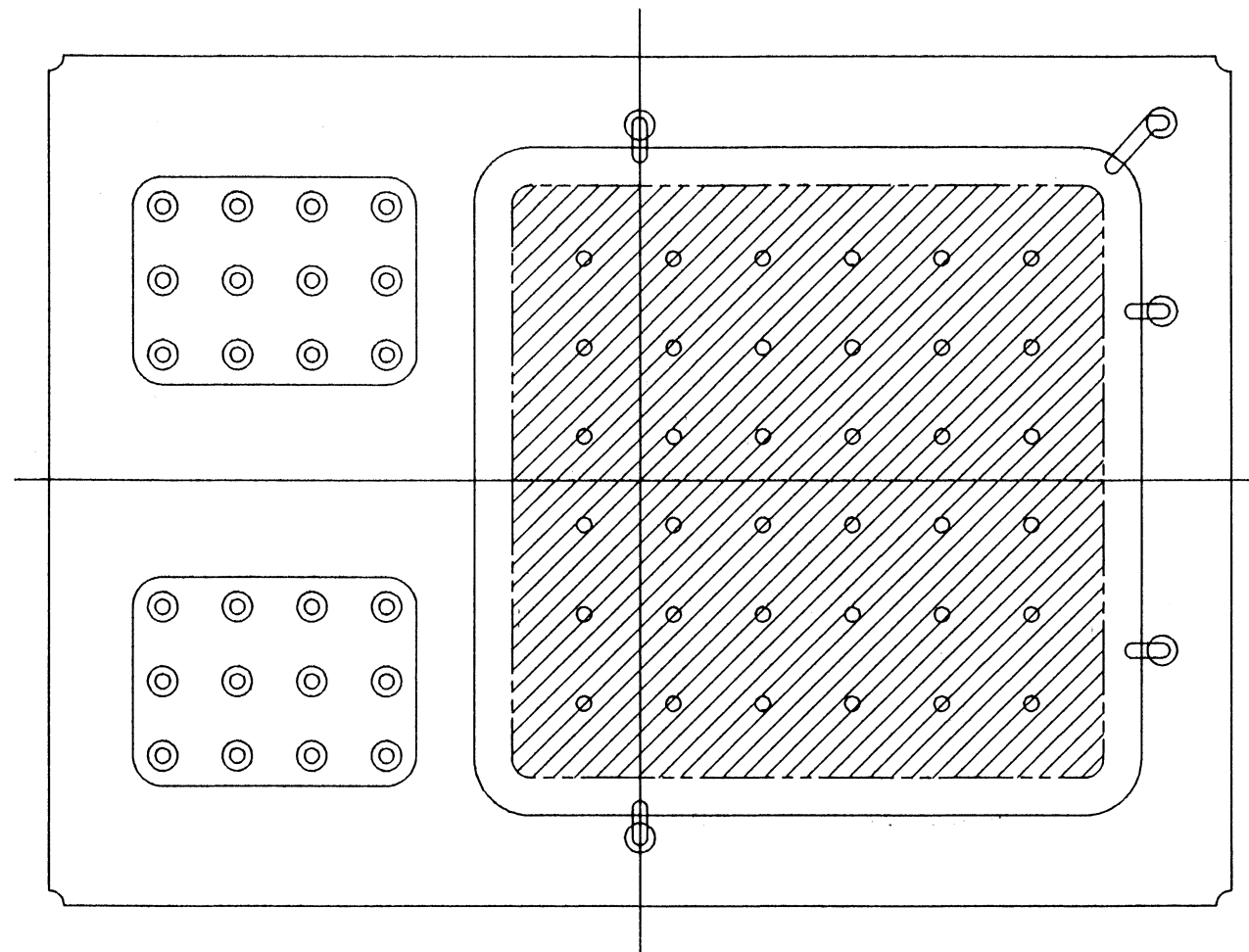
MP - 2 ~ MP - 4

| | | | | | | | | | | | |
|--------------|---------|--|------|-------|---------|--------------------------|------------------------------------|---------------------|-----------------|-----------------|--------------|
| MODIFICATION | | | | | | NAME | TOLERANCE | DRAWN | CHECKED | APPROVED | DATE |
| | | | | | | ALN PACKAGE FOR TO-220-A | UNLESS OTHERWISE SPECIFIED | N. I | M.MU/M.MA | T. A | FEB.23.'94 |
| | | | | | | SCALE 10 / 1 | MATERIAL | | | | |
| | | | | | | | THIRD ANGLE PROJECTION | <i>R. Shibasaki</i> | <i>M. Maeda</i> | <i>M. Maeda</i> | |
| | CHANGED | | DATE | DRAWN | CHECKED | APPROVED | KYOCERA CORPORATION KYOTO JAPAN | DRAWING NO. | KD-E94196-A | | SHEET 3/7 |




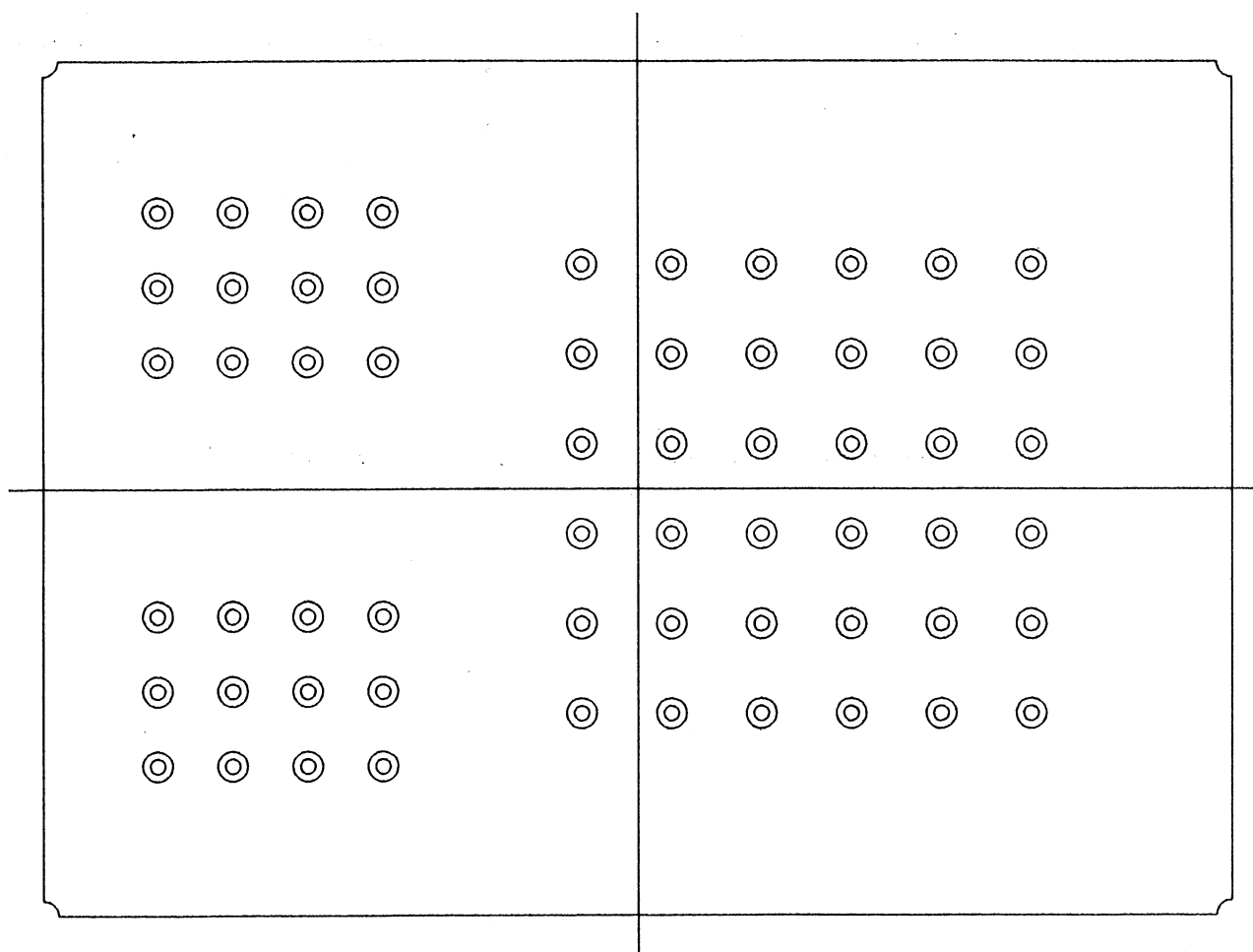
MP-5

| | | | | | | | | | | | |
|--------------|---------|---------|----------|---------|----------|----------------------------------|---|------------------------------------|----------------------------|------------------|--------------------|
| MODIFICATION | | | | | | NAME ALN PACKAGE FOR TO-220-A | TOLERANCE UNLESS OTHERWISE SPECIFIED | DRAWN N. I | CHECKED M.MU/M.MA | APPROVED T. A | DATE FEB.23.'94 |
| | | | | | | SCALE 10 / 1 | MATERIAL | | | | |
| | | | | | | | THIRD ANGLE PROJECTION | <i>R. Shibasaki</i> | <i>T. Masuda</i> | <i>T. A</i> | |
| | △ | REDRAWN | JUN.8.94 | N. I | A.F/M.M | T. A | | KYOCERA CORPORATION KYOTO JAPAN | DRAWING NO. KD-E94196-A | | SHEET 4/7 |
| | CHANGED | DATE | DRAWN | CHECKED | APPROVED | | | | | | |




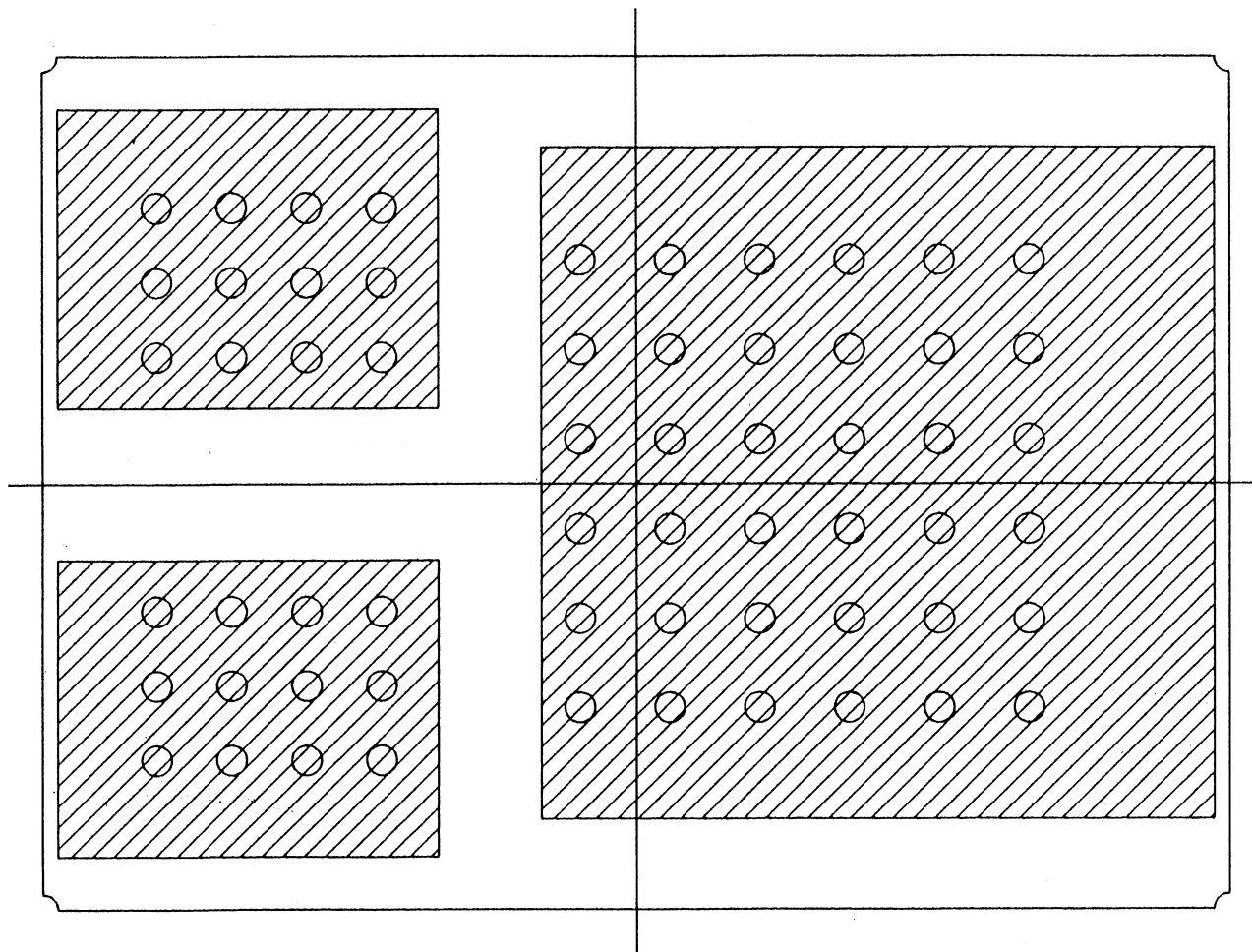
MP-6

| | | | | | | | | | | | | |
|--------------|-----------|--|----------|-------|---------|----------|---|------------------------------------|------------------------|---------------------|-----------------|------------------|
| MODIFICATION | | | | | | | NAME | TOLERANCE | DRAWN | CHECKED | APPROVED | DATE |
| | | | | | | | ALN PACKAGE FOR TO-220-A | UNLESS OTHERWISE SPECIFIED | N. I | M.MU/M.MA | T. A | FEB.23.'94 |
| | | | | | | | SCALE 10 / 1 | MATERIAL | | | | |
| | | | | | | | | | THIRD ANGLE PROJECTION | <i>R. Shibasaki</i> | <i>A. Jones</i> | <i>M. A. ...</i> |
| | △ REDRAWN | | JUN.8.94 | N. I | A.F/M.M | T. A |  | KYOCERA CORPORATION KYOTO JAPAN | DRAWING NO. | | SHEET | |
| | CHANGED | | DATE | DRAWN | CHECKED | APPROVED | | | KD-E94196-A | | 5/7 | |



MP - 7

| | | | | | | | | | | | |
|--------------|---------|------|-------|---------|----------|---|---|----------------------------|----------------------|------------------|--------------------|
| MODIFICATION | | | | | | NAME ALN PACKAGE FOR TO-220-A | TOLERANCE UNLESS OTHERWISE SPECIFIED | DRAWN N. I | CHECKED M.MJ/M.MA | APPROVED T. A | DATE FEB.23.'94 |
| | | | | | | SCALE 10 / 1 | MATERIAL | | | | |
| | | | | | | | THIRD ANGLE PROJECTION | <i>R. Shibashi</i> | <i>M. Noda</i> | <i>M. Matsui</i> | |
| | | | | | |  | KYOCERA CORPORATION KYOTO JAPAN | DRAWING NO. KD-E94196-A | | SHEET 6/7 | |
| | CHANGED | DATE | DRAWN | CHECKED | APPROVED | | | | | | |



MP - 8
(TOP VIEW)

| | | | | | | | | | | |
|--------------|---------|------|-------|---------|----------------------------------|---|------------------------------------|----------------------------|--------------------|--------------------|
| MODIFICATION | | | | | NAME ALN PACKAGE FOR TO-220-A | TOLERANCE UNLESS OTHERWISE SPECIFIED | DRAWN N. I | CHECKED M.MJ/M.MA | APPROVED T. A | DATE FEB.23.'94 |
| | | | | | SCALE 10 / 1 | MATERIAL | | | | |
| | | | | | | | THIRD ANGLE PROJECTION | <i>R. Shibasaki</i> | <i>M. M. Maeda</i> | <i>20.94</i> |
| | | | | | | | | | | |
| | CHANGED | DATE | DRAWN | CHECKED | APPROVED | KYOCERA | KYOCERA CORPORATION KYOTO JAPAN | DRAWING NO. KD-E94196-A | | SHEET 7/7 |