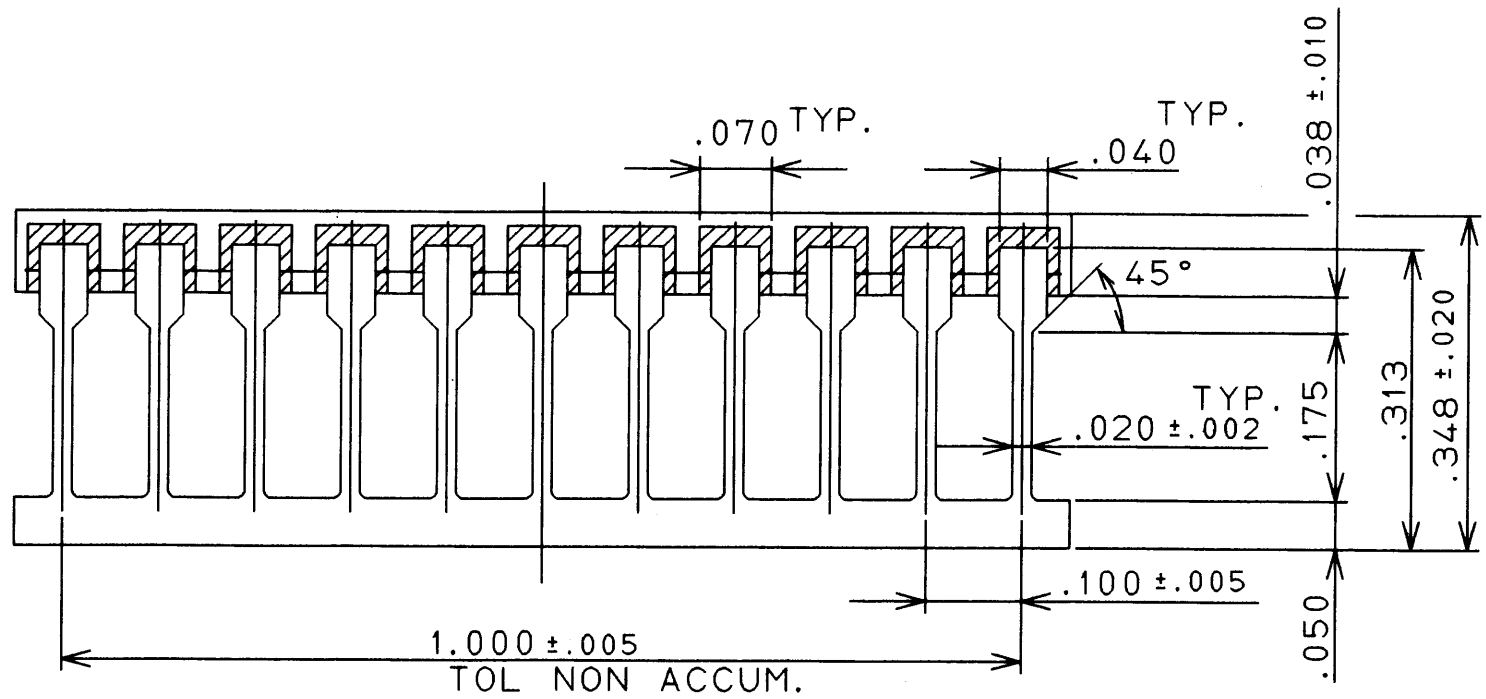


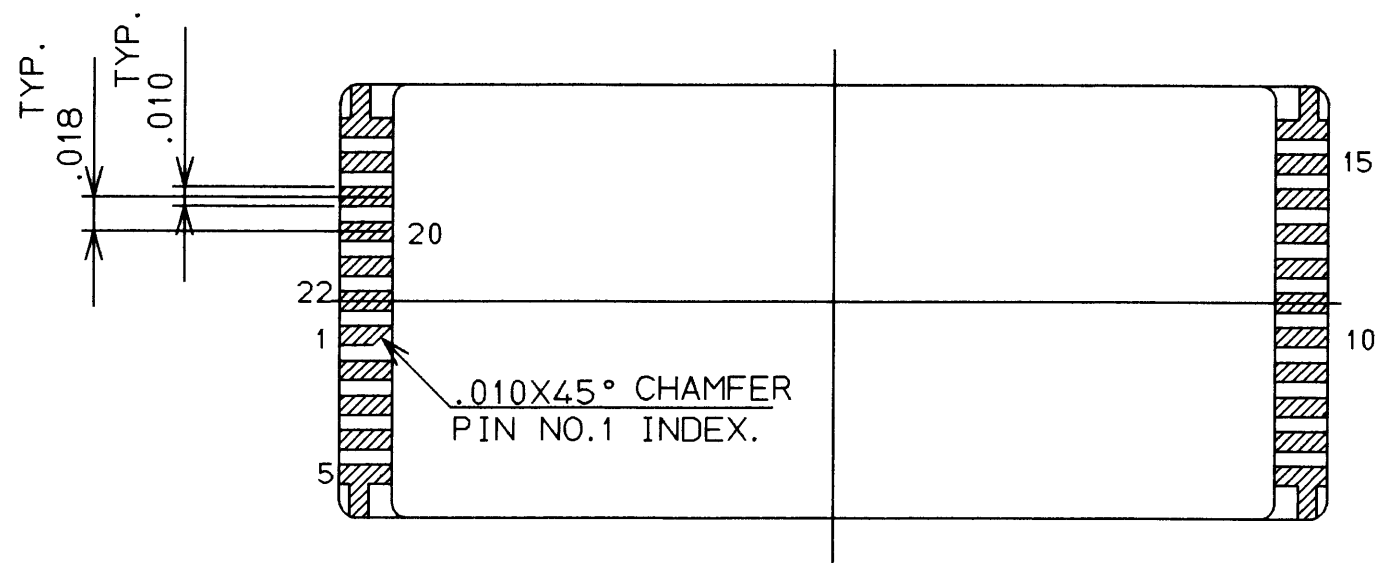
DETAIL - A



- NOTES
1. PLATING THICKNESS TO BE PER CUSTOMER'S SPECIFICATION.
 2. SEAL AREA TO BE METALLIZED.
 3. DIE ATTACH AREA TO BE METALLIZED.
 4. SEAL RING AND DIE ATTACH PAD TO BE FLOATING FROM ANY PINS.
 5. LEAD RESISTANCE : 0.40Ω MAX.

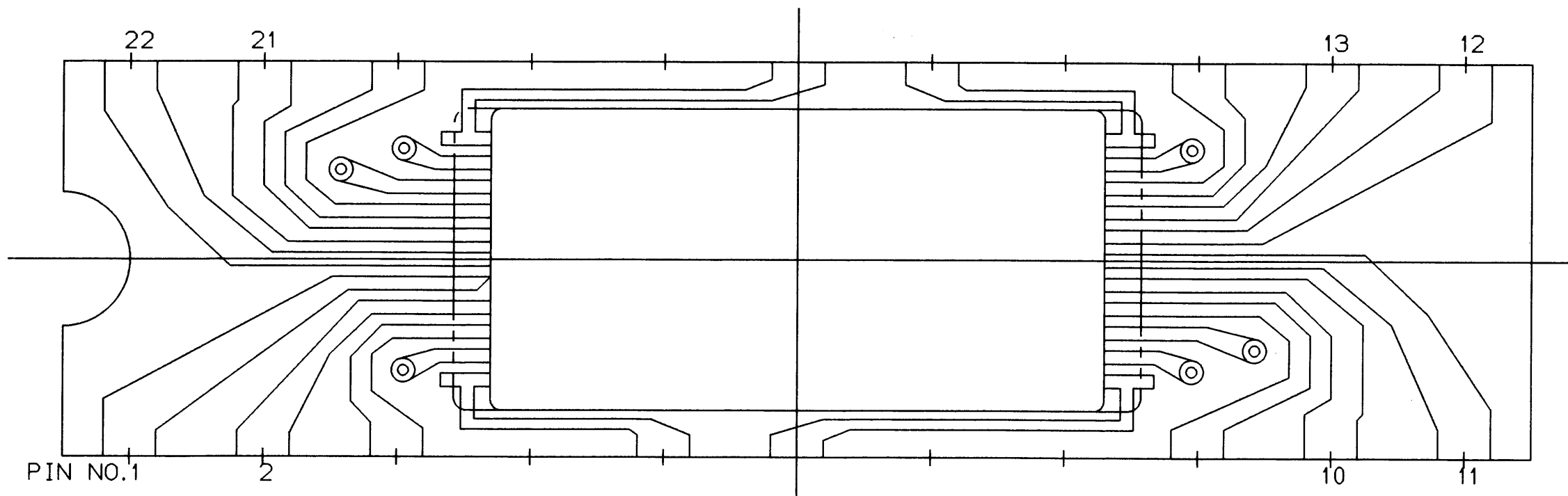
SB022R152-1 S=0 D=0

MODIFICATION						NAME 22 LEAD SIDE BRAZED PACKAGE	TOLERANCE UNLESS OTHERWISE SPECIFIED ±.005	DRAWN S. SH	CHECKED S. T	APPROVED M. K	DATE FEB.06.85
						SCALE 5/1	MATERIAL AS INDICATED				
	△	REDRAWN	FEB.06.'90	S. SH	S. T	M. K	KYOCERA CORPORATION KYOTO JAPAN	DRAWING NO. KD-85152-B		SHEET 1/5	



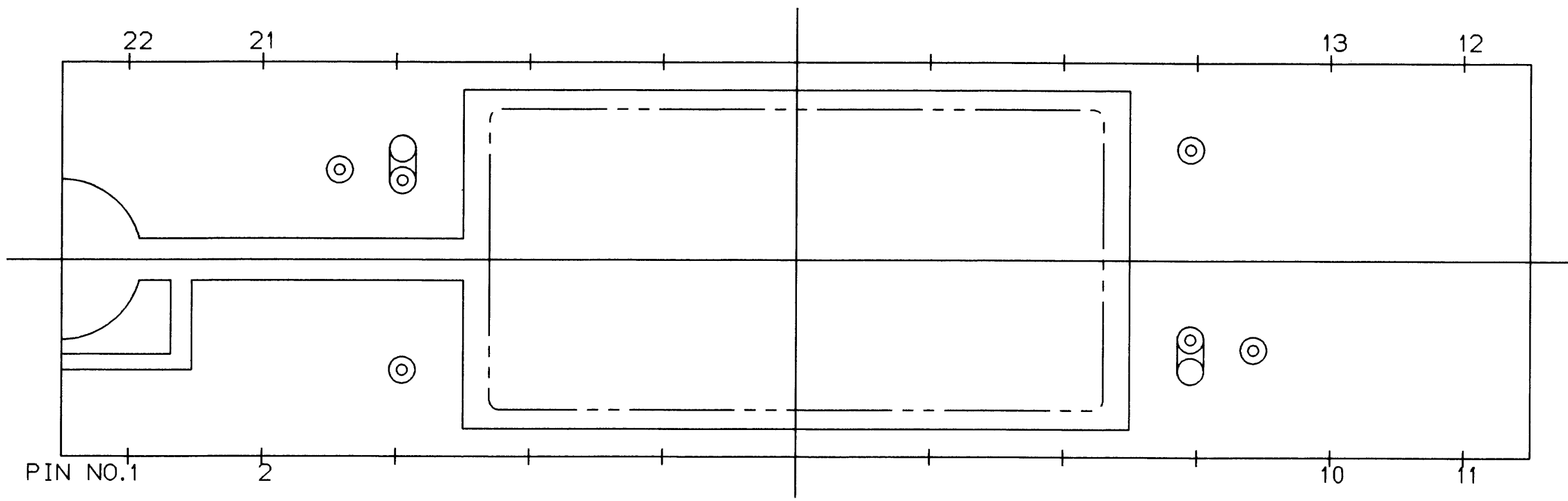
BONDING PATTERN

MODIFICATION						NAME	TOLERANCE	DRAWN	CHECKED	APPROVED	DATE
						22 LEAD SIDE BRAZED PACKAGE	UNLESS OTHERWISE SPECIFIED	S.SH	S.T.A	M.K	FEB.06.'85
						SCALE 10 / 1	MATERIAL				
							THIRD ANGLE PROJECTION	<i>S. Shimoda</i>	<i>T. Arai</i>	<i>M. Ky</i>	
	CHANGED		DATE	DRAWN	CHECKED	APPROVED		KYOCERA CORPORATION KYOTO JAPAN	DRAWING NO. KD-85152-B		SHEET 2/5



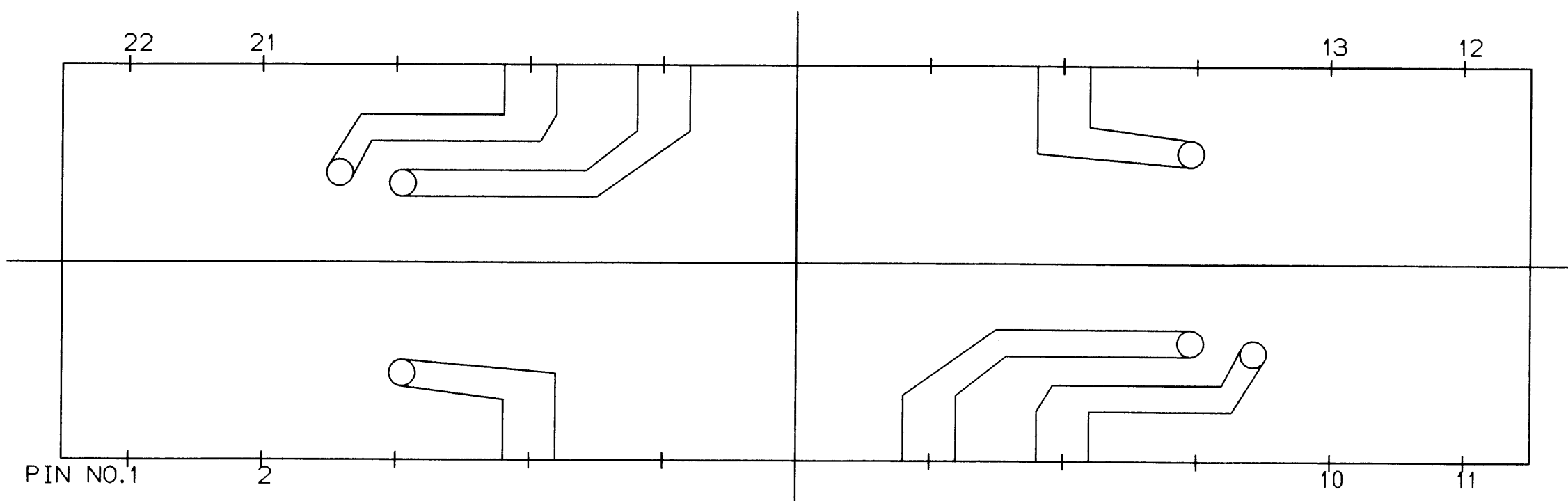
SECOND LAYER PATTERN

MODIFICATION						NAME 22 LEAD SIDE BRAZED PACKAGE	TOLERANCE UNLESS OTHERWISE SPECIFIED	DRAWN S.SH	CHECKED S.T.A	APPROVED M.K	DATE APR.15.'85
						SCALE 10 / 1	MATERIAL				
							THIRD ANGLE PROJECTION	<i>S. Shimada</i>	<i>S. Takada</i>	<i>M. Ky</i>	
							KYOCERA CORPORATION KYOTO JAPAN	DRAWING NO. KD-85152-B		SHEET 3/5	
	CHANGED		DATE	DRAWN	CHECKED	APPROVED					




THIRD LAYER PATTERN

MODIFICATION						NAME 22 LEAD SIDE BRAZED PACKAGE	TOLERANCE UNLESS OTHERWISE SPECIFIED	DRAWN S.SH	CHECKED S.T.A	APPROVED M.K	DATE APR.15.'85
						SCALE 10 / 1	MATERIAL				
							THIRD ANGLE PROJECTION	<i>S. Shimada</i>	<i>S. T. A.</i>	<i>M. K.</i>	
							KYOCERA CORPORATION KYOTO JAPAN	DRAWING NO. KD-85152-B		SHEET 4/5	
	CHANGED		DATE	DRAWN	CHECKED	APPROVED					



FOURTH LAYER PATTERN

MODIFICATION						NAME 22 LEAD SIDE BRAZED PACKAGE	TOLERANCE UNLESS OTHERWISE SPECIFIED	DRAWN S.SH	CHECKED S.T.A	APPROVED M.K	DATE APR.15.'85
						SCALE 10 / 1	MATERIAL				
							THIRD ANGLE PROJECTION	<i>S. Shimada</i>	<i>T. Arai</i>	<i>M. Ky</i>	
							KYOCERA CORPORATION KYOTO JAPAN	DRAWING NO. KD-85152-B		SHEET 5/5	
	CHANGED		DATE	DRAWN	CHECKED	APPROVED					