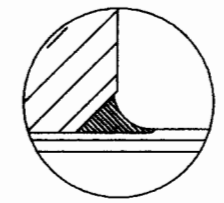
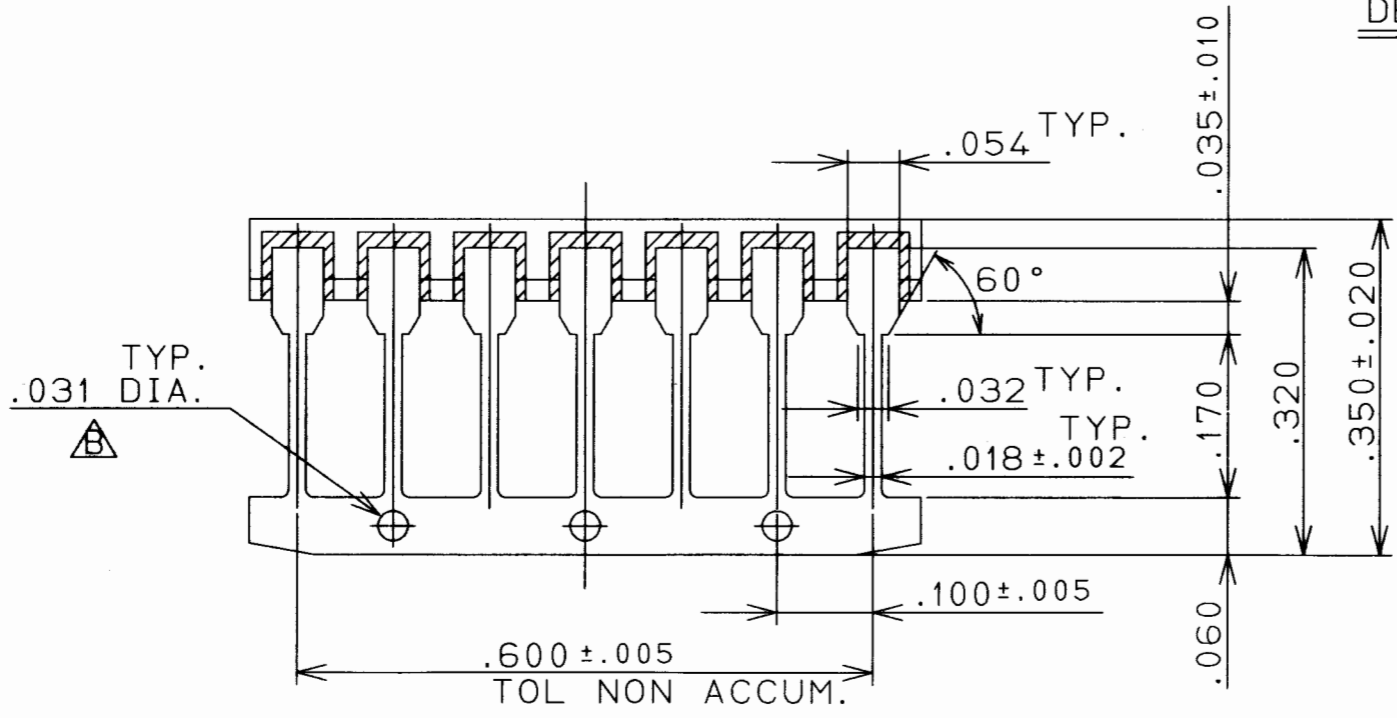


| PART No. | NOTCH AREA METALLIZED |
|----------|-----------------------|
| 1 | WITH METALLIZATION |
| 2 | WITHOUT METALLIZATION |

INDEX MARK PLATING OPTION
 TYP. .020R
 TYP. .032R



DETAIL-A



- NOTES :
1. PLATING THICKNESS TO BE PER CUSTOMER'S SPECIFICATION.
 2. SEAL AREA TO BE METALLIZED.
 3. DIE ATTACH AREA TO BE METALLIZED.
 4. SEAL RING AND DIE ATTACH PAD TO BE FLOATING FROM ANY LEAD.
 5. LEAD RESISTANCE: 0.2 OHM MAX.
 6. WIRE BOND PAD CONNECTED TO CORRESPONDED OUTER LEAD.
 7. MISALIGNMENT OF METALLIZATION PATTERN IN CAVITY SHALL BE ACCEPTED DUE TO LAYER MISALIGNMENT.

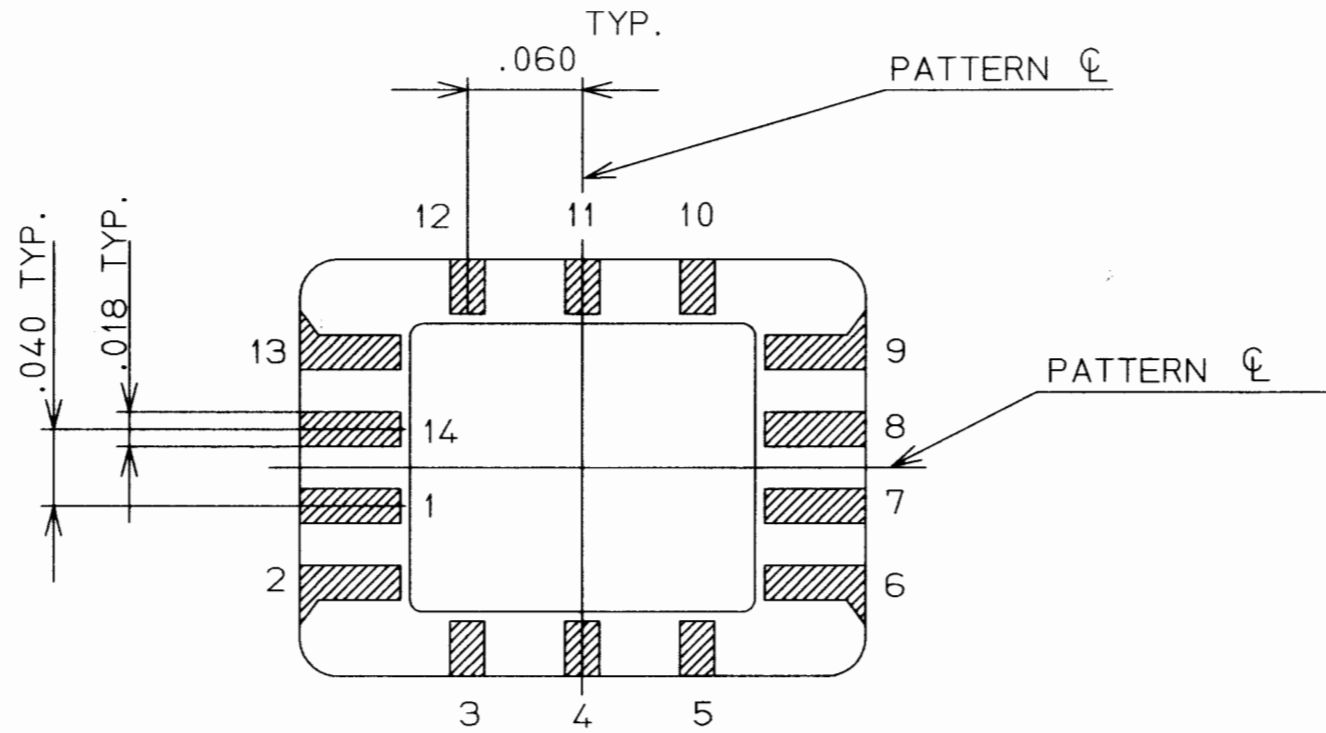
| | |
|-------------|-----|
| SB014K290-2 | S=0 |
| | D=0 |
| SB014K290-1 | S=0 |
| | D=0 |

| MODIFICATION | DESCRIPTION | DATE | DRAWN | CHECKED | APPROVED |
|--------------|-------------------------------|------------|-------|---------|----------|
| | DELETED : VENDOR'S OPTION. | JUN.05.'07 | S.NI | TOH/MSU | H.SA |
| ⚠ | ADDED : PART No.02, NOTE.6.7. | | | | |
| ⚠ | REDRAWN (CONVERTED CAD DATA) | OCT.15.'93 | S.F | T.C/K.M | T.A |
| | CHANGED | | | | |

NAME
 14 LEAD SIDE BRAZED PACKAGE
 SCALE 5/1
 MATERIAL AS INDICATED

TOLERANCE
 UNLESS OTHERWISE SPECIFIED
 ±.005
 THIRD ANGLE PROJECTION

| DRAWN | CHECKED | APPROVED | DATE |
|---------------------------|---------|----------|--------------|
| H.K | K.M | | JUN.19.'80 |
| DRAWING NO. KD-80290-B | | | SHEET 1/2 |



BONDING PATTERN

| | | | | | | | | | | | |
|--------------|---------|--|------|-------|---------|------------------------------------|---|------------------------------------|---------------------------|-----------------|--------------------|
| MODIFICATION | | | | | | NAME 14LEAD SIDE BRAZED PACKAGE | TOLERANCE UNLESS OTHERWISE SPECIFIED | DRAWN S.F | CHECKED T.C K.M | APPROVED T.A | DATE OCT.15.'93 |
| | | | | | | SCALE 10 / 1 | MATERIAL | | | | |
| | | | | | | | THIRD ANGLE PROJECTION | | | | |
| | | | | | | | | | | | |
| | CHANGED | | DATE | DRAWN | CHECKED | APPROVED | | KYOCERA CORPORATION KYOTO JAPAN | DRAWING NO. KD-80290-B | | SHEET 2/2 |