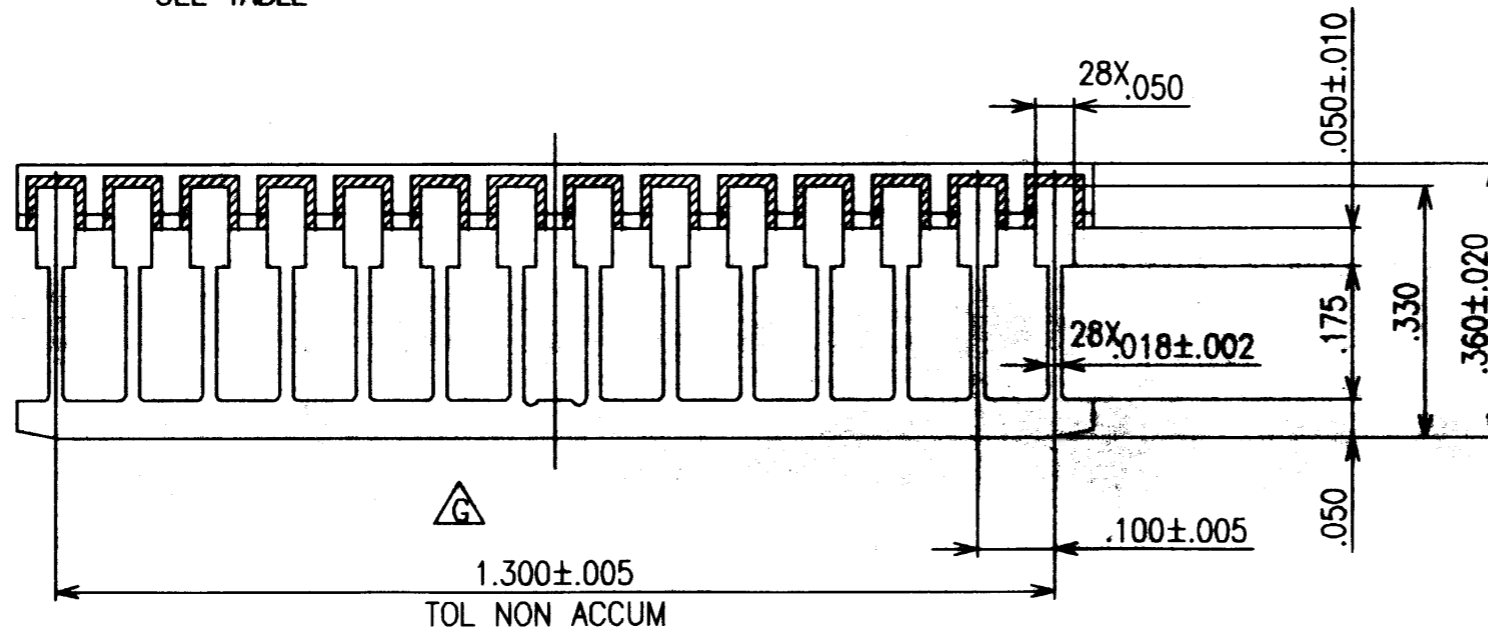
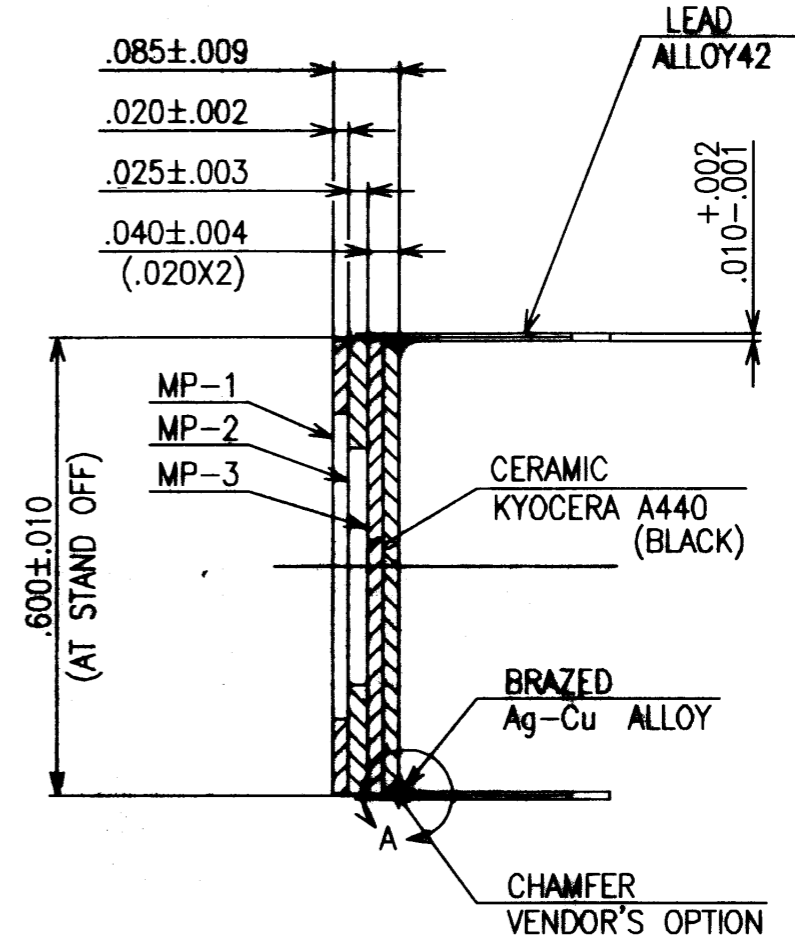
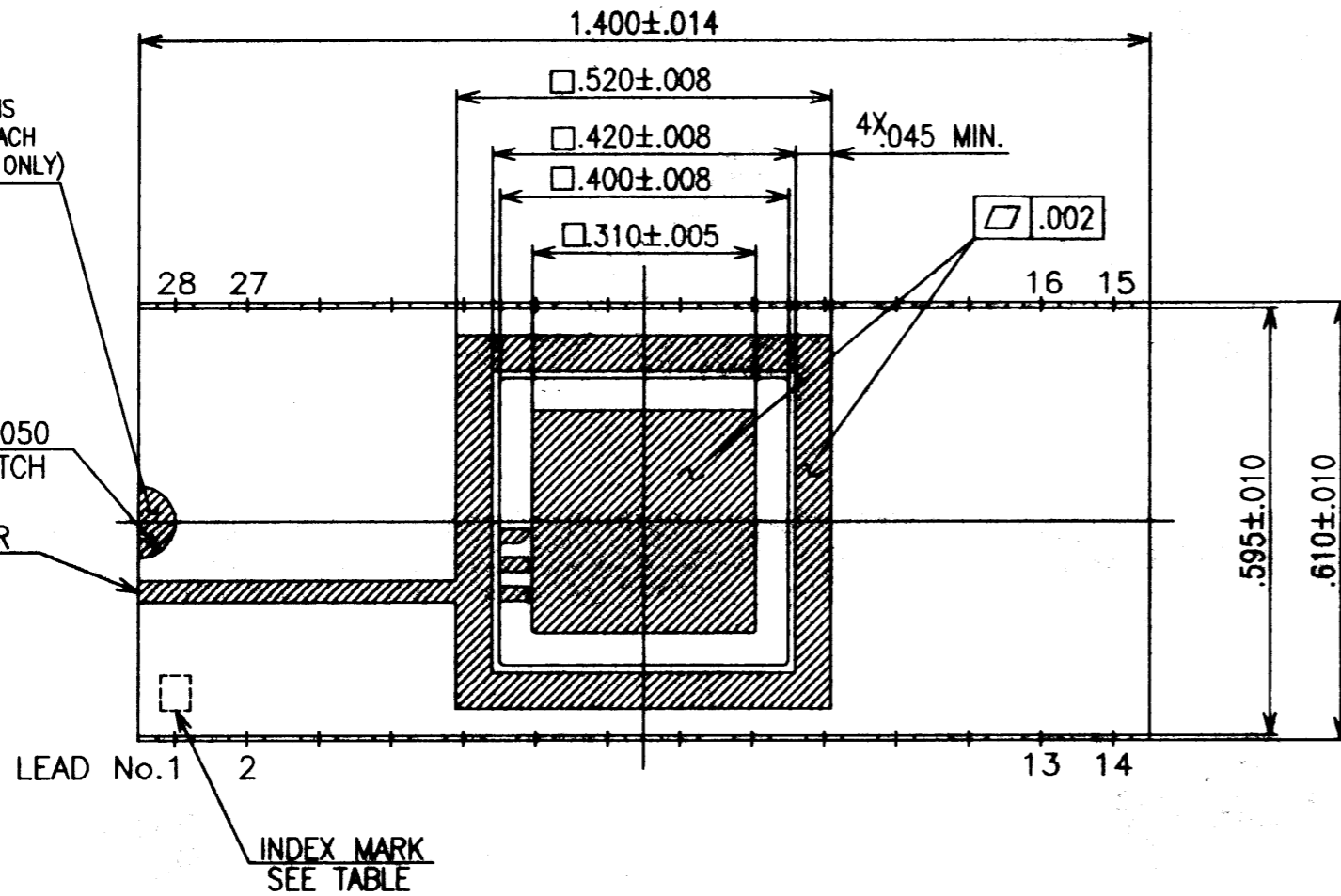


G
THIS METALLIZED AREA IS
CONNECTED TO DIE ATTACH
PAD.(PART No.01,02,03 ONLY)

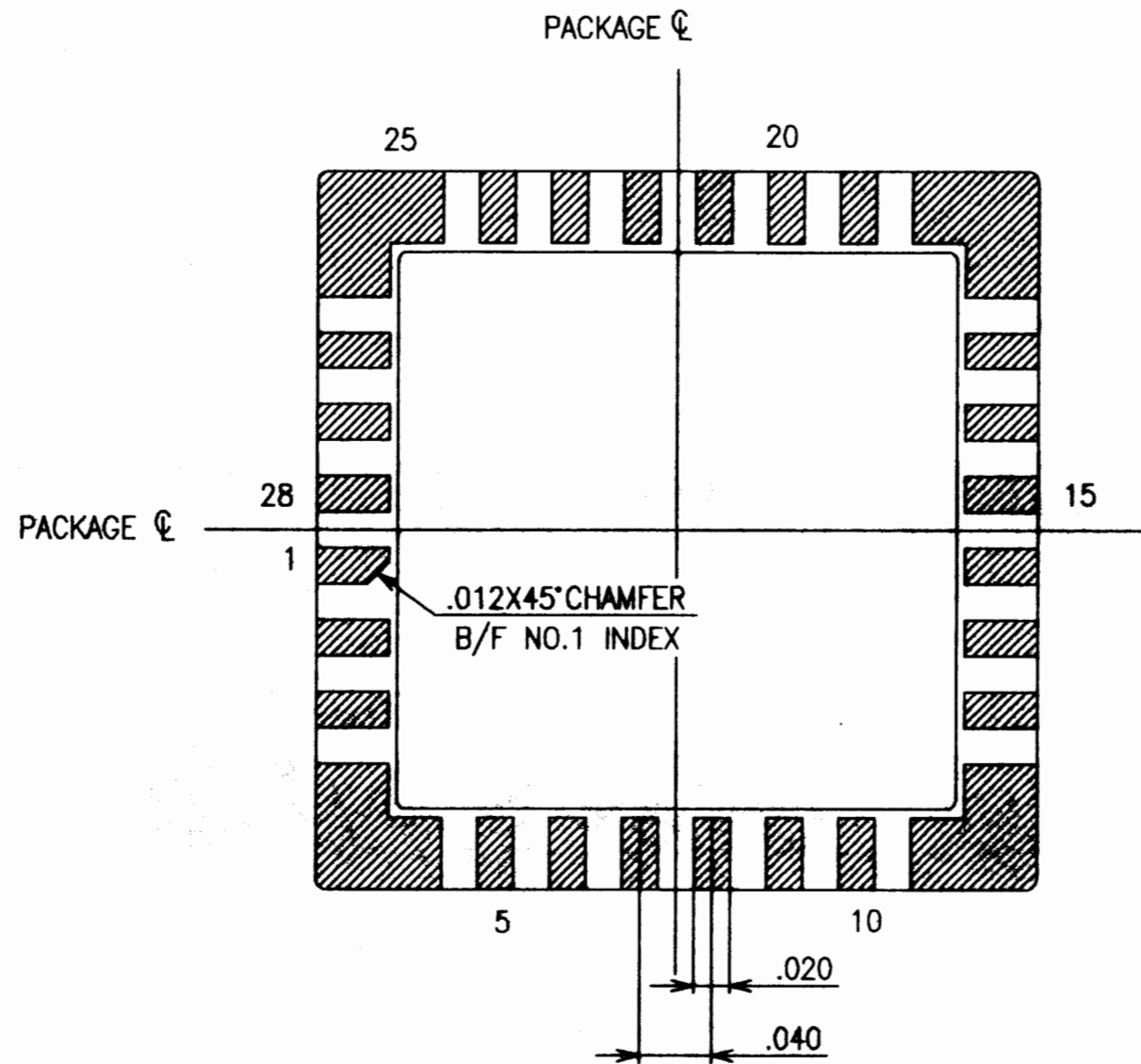
R .050
NOTCH
GRINDING AFTER
Au PLATING



PART NO.	I.D MARK	LEAD TIED DOWN	NOTCH AREA METALLIZED
01	⊙	NIL	WITH METALLIZATION
02	⊚	NO.1 ONLY	WITH METALLIZATION
03	⊛	NO.14 ONLY	WITH METALLIZATION
04	⊘	NIL	WITHOUT METALLIZATION

SB0281385-4	S=0 D=0
SB0281385-3	S=0 D=14
SB0281385-2	S=0 D=1
SB0281385-1	S=0 D=0

MODIFICATION	DESCRIPTION	DATE	DRAWN	CHECKED	APPROVED	NAME	TOLERANCE UNLESS OTHERWISE SPECIFIED	DRAWN	CHECKED	APPROVED	DATE

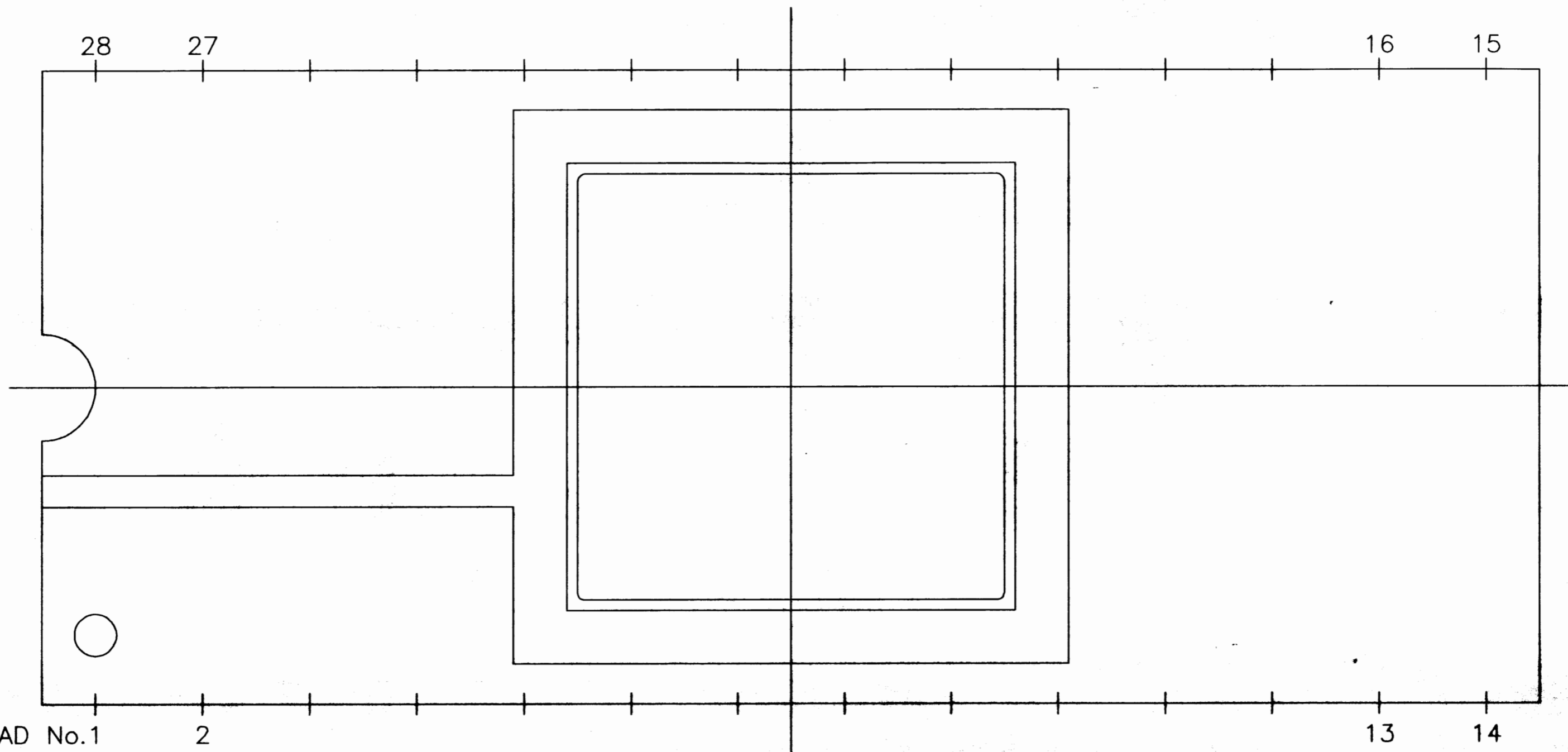


NOTES :

1. PLATING THICKNESS TO BE PER CUSTOMER'S SPECIFICATION.
2. SEAL AREA TO BE METALLIZED.
3. DIE ATTACH AREA TO BE METALLIZED.
4. LEAD RESISTANCE : 0.35 OHM MAX.

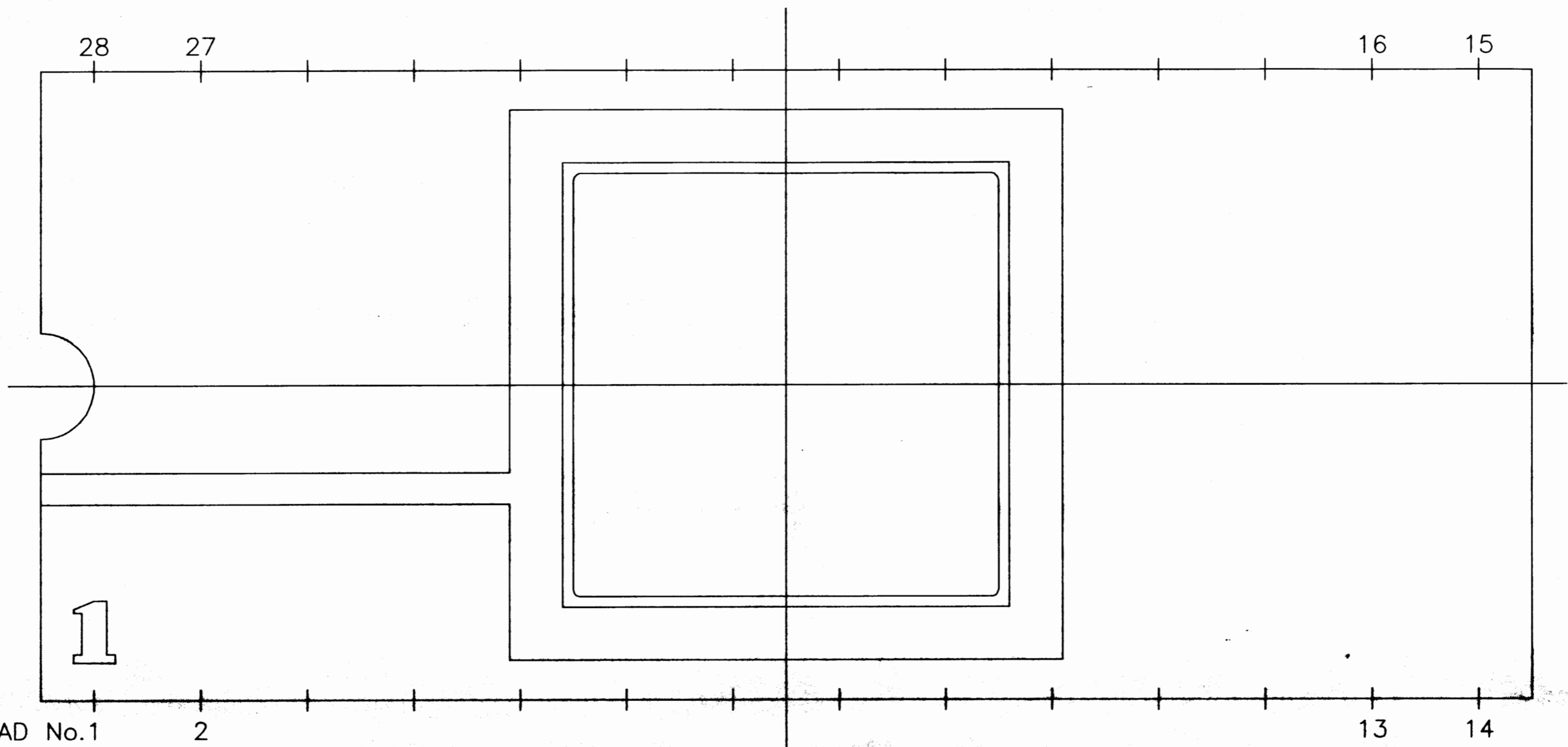
BONDING PATTERN

MODIFICATION						NAME 28 LEAD SIDE BRAZED PACKAGE	TOLERANCE UNLESS OTHERWISE SPECIFIED	DRAWN S.SH	CHECKED S.T/T.A	APPROVED K.M	DATE AUG.25.'92
						SCALE 10/1	MATERIAL				
	ADDED: THIS SHEET	AUG.25.'92	S.SH	S.T/T.A	K.M		KYOCERA CORPORATION KYOTO JAPAN	M. G. H. W. <i>[Signature]</i> T. D. Y. O. <i>[Signature]</i> K. M. <i>[Signature]</i>	DRAWING NO.	KD-78385-G	SHEET 2/11
	CHANGED	DATE	DRAWN	CHECKED	APPROVED						



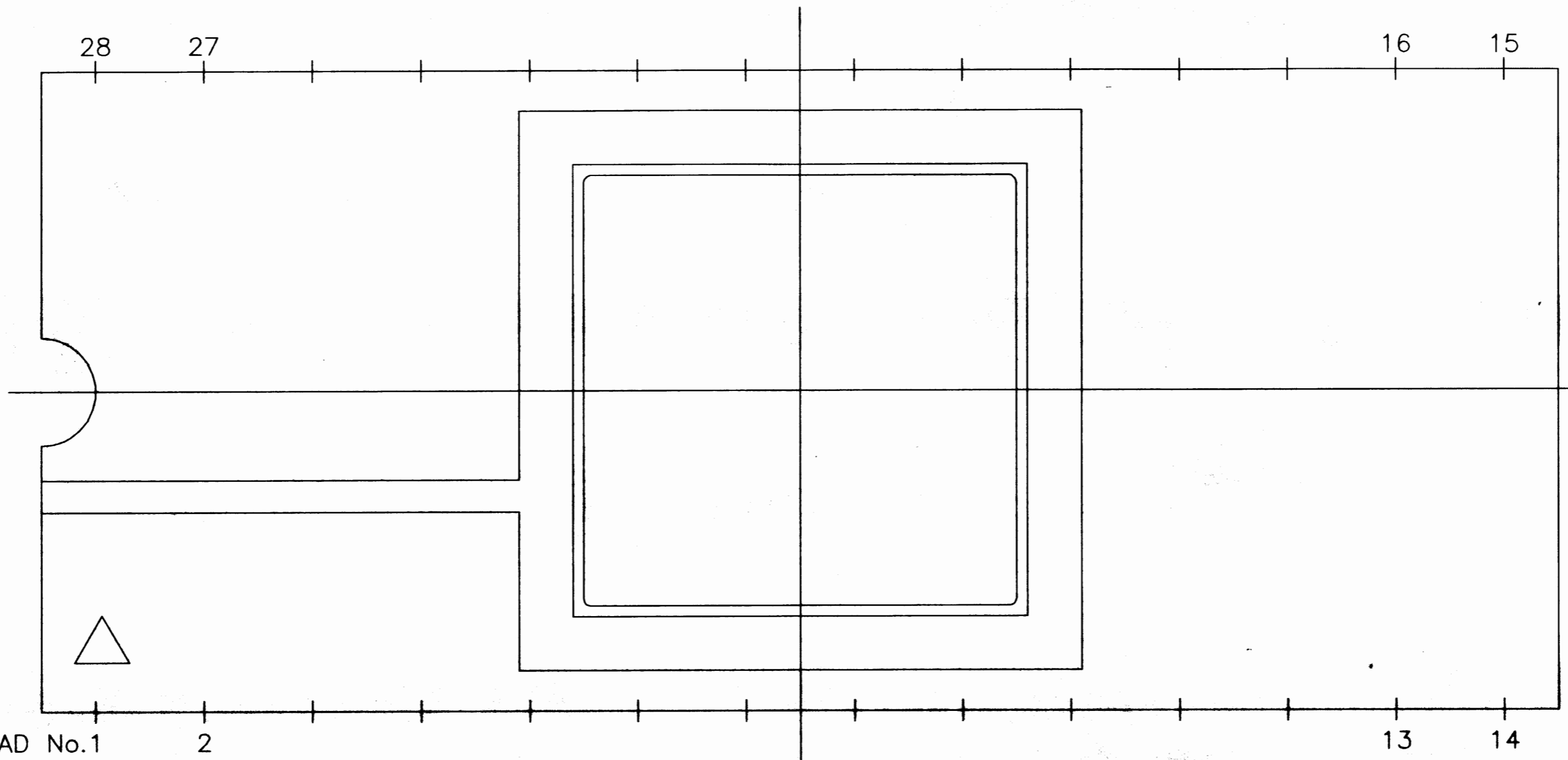
MP-1
(PART No.01,04)

MODIFICATION						NAME 28 LEAD SIDE BRAZED PACKAGE	TOLERANCE UNLESS OTHERWISE SPECIFIED	DRAWN M.S	CHECKED K.Y	APPROVED S.NI	DATE APR.13.'11
						SCALE 10 / 1	MATERIAL				
	△	ADDED : THIS SHEET	APR.13.'11	M.S	K.Y	S.NI		KYOCERA CORPORATION		DRAWING NO.	
		CHANGED	DATE	DRAWN	CHECKED	APPROVED		KYOTO JAPAN		KD-78385-G	



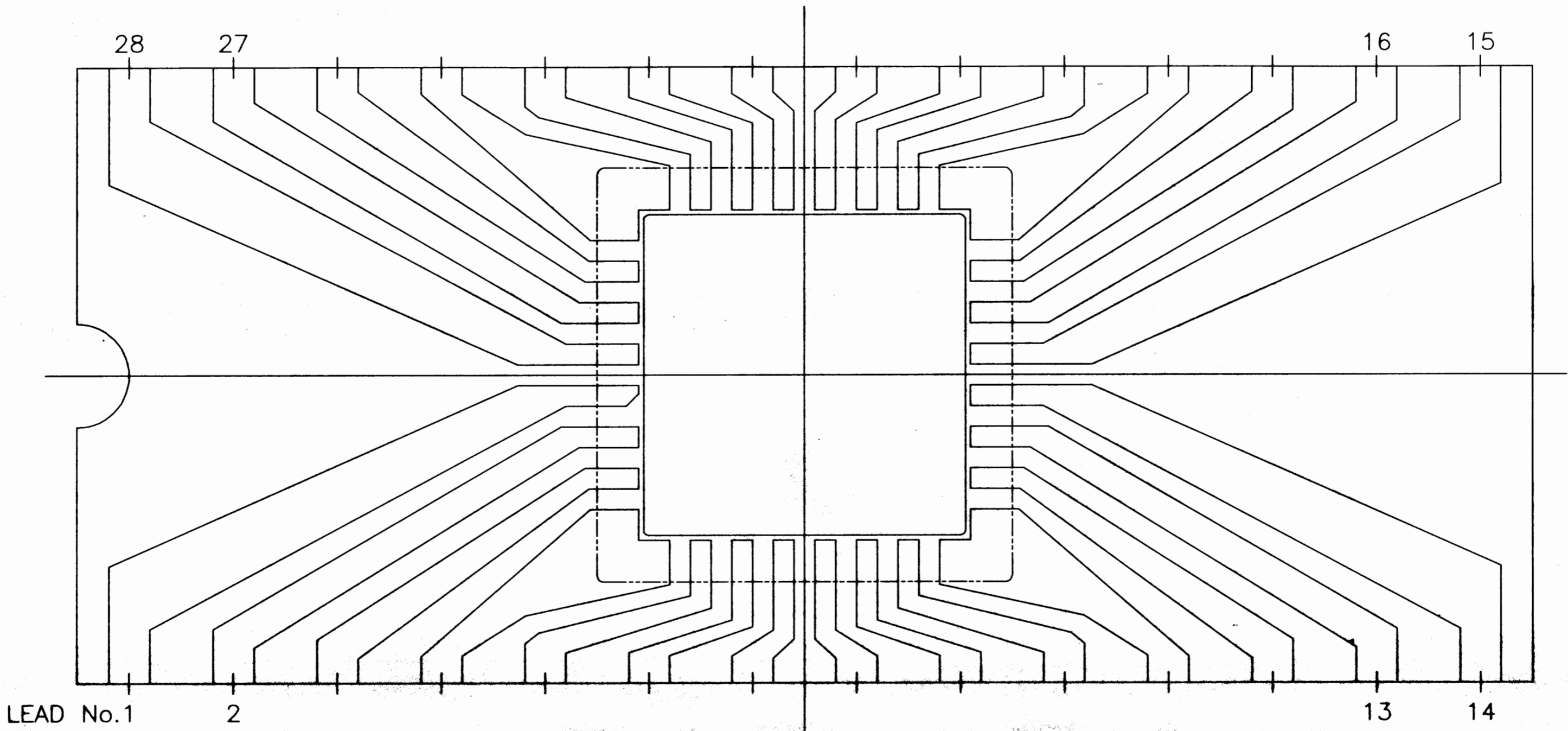
MP-1
(PART No.02)

MODIFICATION						NAME	TOLERANCE	DRAWN	CHECKED	APPROVED	DATE
						28 LEAD SIDE BRAZED PACKAGE	UNLESS OTHERWISE SPECIFIED	M.S	K.Y	S.NI	APR.13.'11
						SCALE 10/1	MATERIAL				
	△ ADDED : THIS SHEET	APR.13.'11	M.S	K.Y	S.NI		KYOCERA CORPORATION KYOTO JAPAN	THIRD ANGLE PROJECTION			
	CHANGED	DATE	DRAWN	CHECKED	APPROVED			DRAWING NO.	KD-78385-G		SHEET



MP-1
(PART No.03)

MODIFICATION						NAME 28 LEAD SIDE BRAZED PACKAGE	TOLERANCE UNLESS OTHERWISE SPECIFIED	DRAWN M.S	CHECKED K.Y	APPROVED S.NI	DATE APR.13.'11
						SCALE 10 / 1	MATERIAL				
	△	ADDED : THIS SHEET	APR.13.'11	M.S	K.Y	S.NI		KYOCERA CORPORATION KYOTO JAPAN	DRAWING NO. KD-78385-G		SHEET 5 / 11
	CHANGED	DATE	DRAWN	CHECKED	APPROVED						

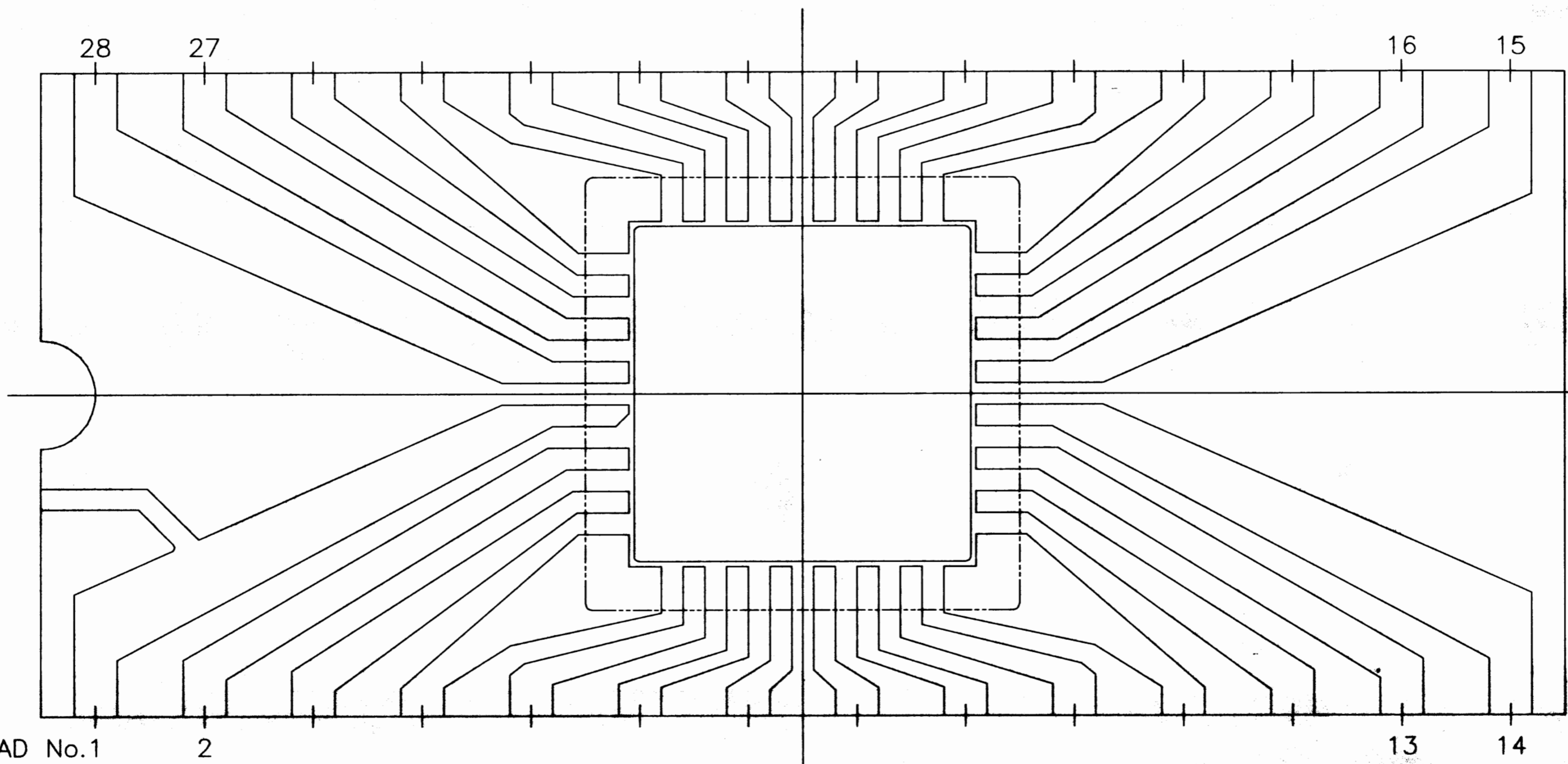


MP-2
(PART No.01~03)


MODIFICATION						NAME 28 LEAD SIDE BRAZED PACKAGE	TOLERANCE UNLESS OTHERWISE SPECIFIED	DRAWN M.S	CHECKED K.Y	APPROVED S.NI	DATE APR.13.'11
						SCALE 10 / 1	MATERIAL				
	△	ADDED : THIS SHEET	APR.13.'11	M.S	K.Y	S.NI		KYOCERA CORPORATION KYOTO JAPAN	DRAWING NO. KD-78385-G		SHEET 6 / 11
	CHANGED	DATE	DRAWN	CHECKED	APPROVED						

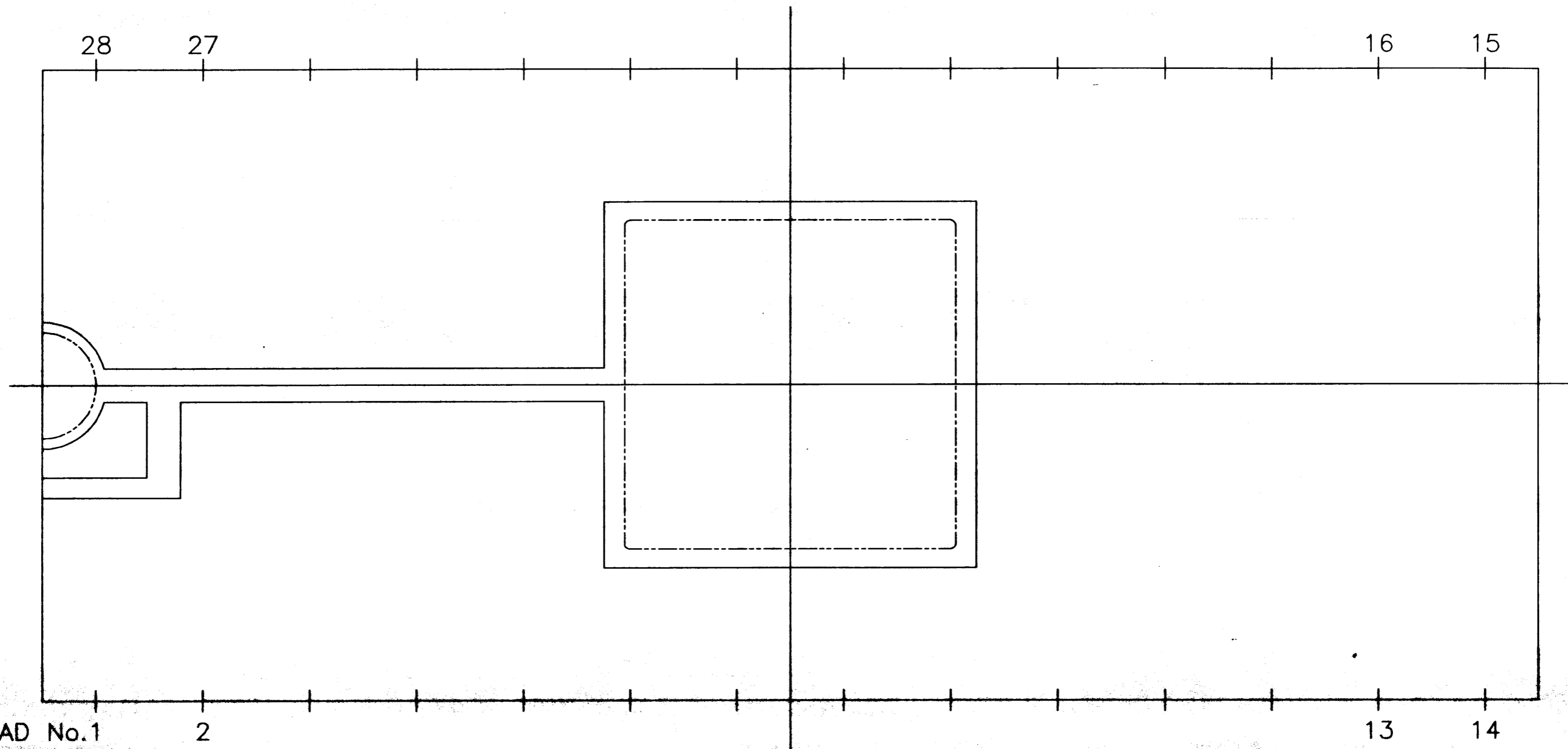
THIRD ANGLE PROJECTION

M. Shino *K.Y.* *S.NI*



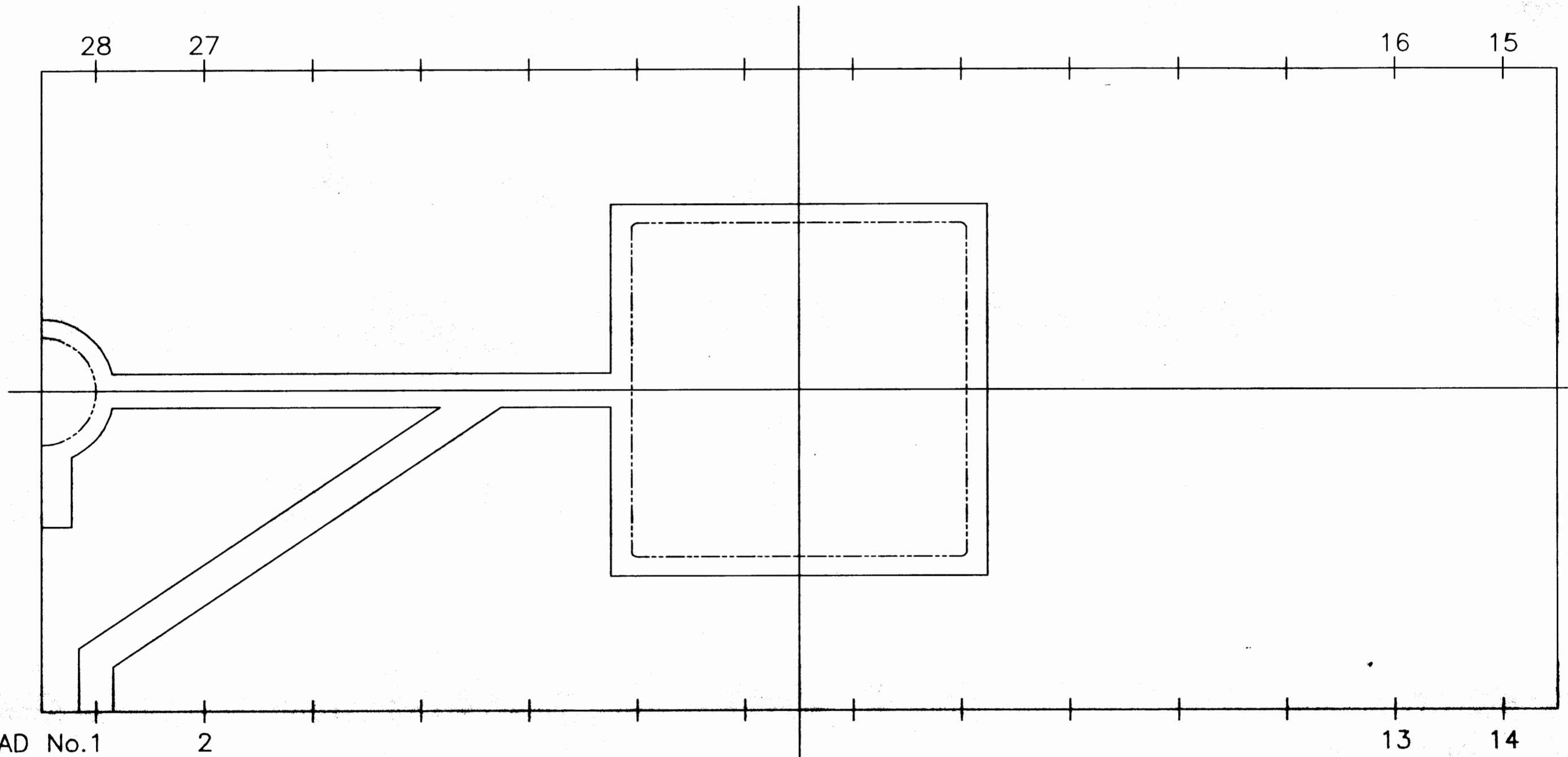
MP-2
(PART No.04)

MODIFICATION						NAME 28 LEAD SIDE BRAZED PACKAGE	TOLERANCE UNLESS OTHERWISE SPECIFIED	DRAWN M.S	CHECKED K.Y	APPROVED S.NI	DATE APR.13.'11
						SCALE 10 / 1	MATERIAL				
	△	ADDED : THIS SHEET	APR.13.'11	M.S	K.Y	S.NI		THIRD ANGLE PROJECTION KYOCERA CORPORATION KYOTO JAPAN	DRAWING NO. KD-78385-G		SHEET 7 / 11
	CHANGED	DATE	DRAWN	CHECKED	APPROVED						



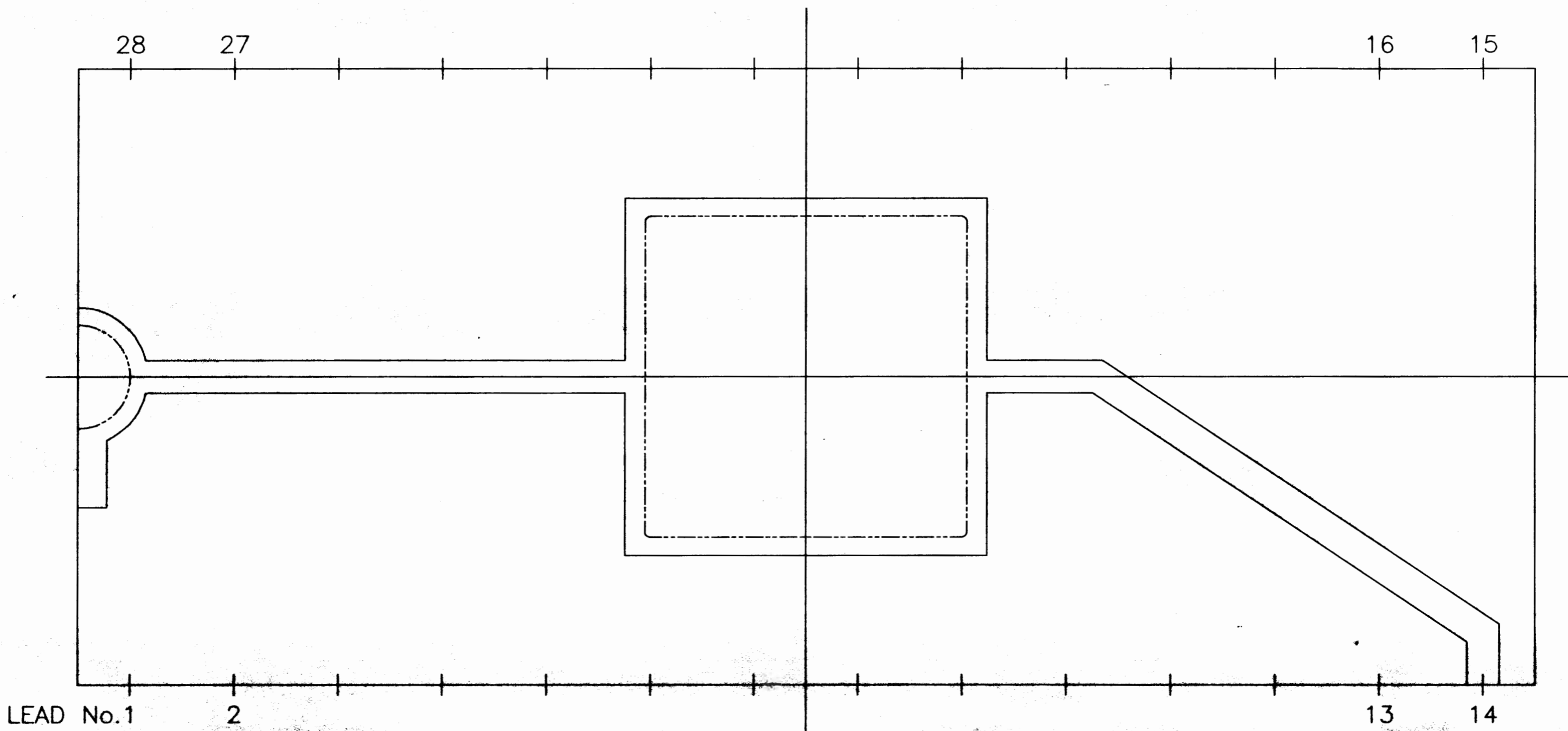
MP-3
(PART No.01)

MODIFICATION						NAME 28 LEAD SIDE BRAZED PACKAGE	TOLERANCE UNLESS OTHERWISE SPECIFIED	DRAWN M.S	CHECKED K.Y	APPROVED S.NI	DATE APR.13.'11
						SCALE 10 / 1	MATERIAL				
	△	ADDED : THIS SHEET	APR.13.'11	M.S	K.Y	S.NI	THIRD ANGLE PROJECTION	M. Shiro	K. Yama		
		CHANGED	DATE	DRAWN	CHECKED	APPROVED	KYOCERA	KYOCERA CORPORATION KYOTO JAPAN		DRAWING NO. KD-78385-G	SHEET 8 / 11



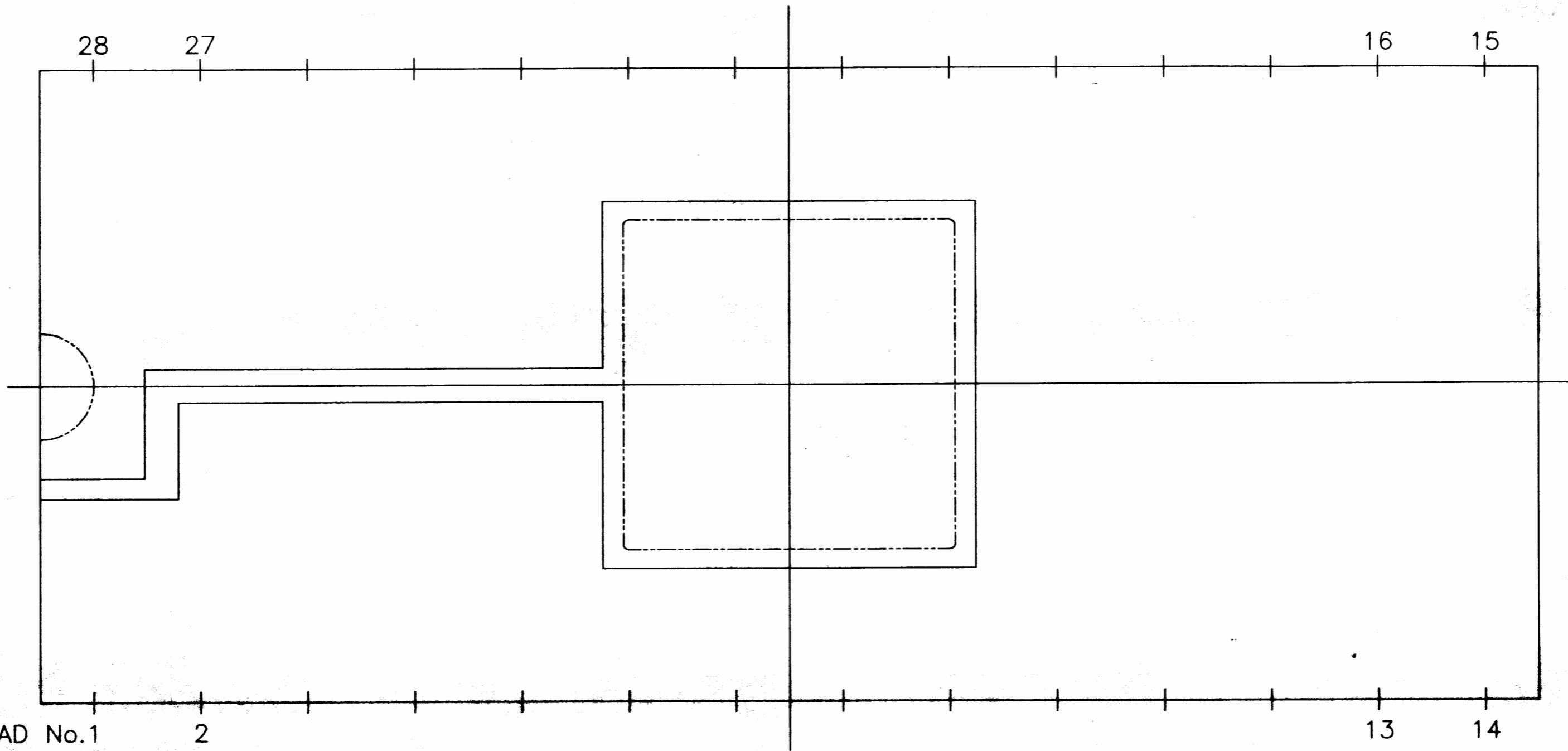
MP-3
(PART No.02)

MODIFICATION						NAME 28 LEAD SIDE BRAZED PACKAGE	TOLERANCE UNLESS OTHERWISE SPECIFIED	DRAWN M.S	CHECKED K.Y	APPROVED S.NI	DATE APR.13.'11
						SCALE 10/1	MATERIAL				
								THIRD ANGLE PROJECTION	<i>M. Shino</i>	<i>K.Y.</i>	<i>S.NI</i>
	△	ADDED : THIS SHEET	APR.13.'11	M.S	K.Y	S.NI	KYOCERA CORPORATION KYOTO JAPAN	DRAWING NO.			SHEET
		CHANGED	DATE	DRAWN	CHECKED	APPROVED		KD-78385-G	9/11		



MP-3
(PART No.03)

MODIFICATION						NAME 28 LEAD SIDE BRAZED PACKAGE	TOLERANCE UNLESS OTHERWISE SPECIFIED	DRAWN M.S	CHECKED K.Y	APPROVED S.NI	DATE APR.13.'11
						SCALE 10 / 1	MATERIAL				
							THIRD ANGLE PROJECTION	<i>M. Shino</i>	<i>K. Y.</i>	<i>S. NI</i>	
	△	ADDED : THIS SHEET	APR.13.'11	M.S	K.Y	S.NI		DRAWING NO.			SHEET
		CHANGED	DATE	DRAWN	CHECKED	APPROVED	KYOCERA	KYOCERA CORPORATION KYOTO JAPAN		KD-78385-G	10 / 11



MP-3
(PART No.04)

MODIFICATION						NAME 28 LEAD SIDE BRAZED PACKAGE	TOLERANCE UNLESS OTHERWISE SPECIFIED	DRAWN M.S	CHECKED K.Y	APPROVED S.NI	DATE APR.13.'11
						SCALE 10 / 1	MATERIAL				
	△ ADDED : THIS SHEET	APR.13.'11	M.S	K.Y	S.NI	KYOCERA	KYOCERA CORPORATION KYOTO JAPAN	DRAWING NO. KD-78385-G		SHEET 11 / 11	
	CHANGED	DATE	DRAWN	CHECKED	APPROVED						