

THIS METALLIZED AREA IS CONNECTED TO DIE ATTACH PAD

THIS METALLIZED SURFACE TO BE FLAT WITHIN .002 TIR.

.050R NOTCH

INDEX MARK (SEE TABLE)

PIN NO.1 2 7 8

.020R TYP.

TYP.

.032R

.005 MIN.

.050 ± .015 TYP. .005 MIN.

TYP.

.054

.035 ± .010

TYP. .032

TYP. .018 ± .002

.170

60°

.325

.350 ± .020

.100 ± .005

.060

.700 ± .005

TOL NON ACCUM.

LEAD ALLOY 42

.085 ± .009

.020 ± .002

.025 ± .003

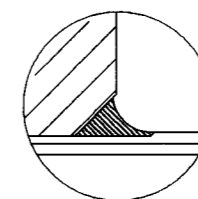
.040 ± .004

.010 ± .001

CERAMIC KYOCERA A440 (BLACK)

BRAZED Ag-Cu ALLOY

CHAMFER VENDOR'S OPTION



DETAIL-A

NOTES

1. PLATING THICKNESS TO BE PER CUSTOMER'S SPECIFICATION.
2. SEAL AREA TO BE METALLIZED.
3. DIE ATTACH AREA TO BE METALLIZED.
4. LEAD RESISTANCE : 0.20 OHM MAX.

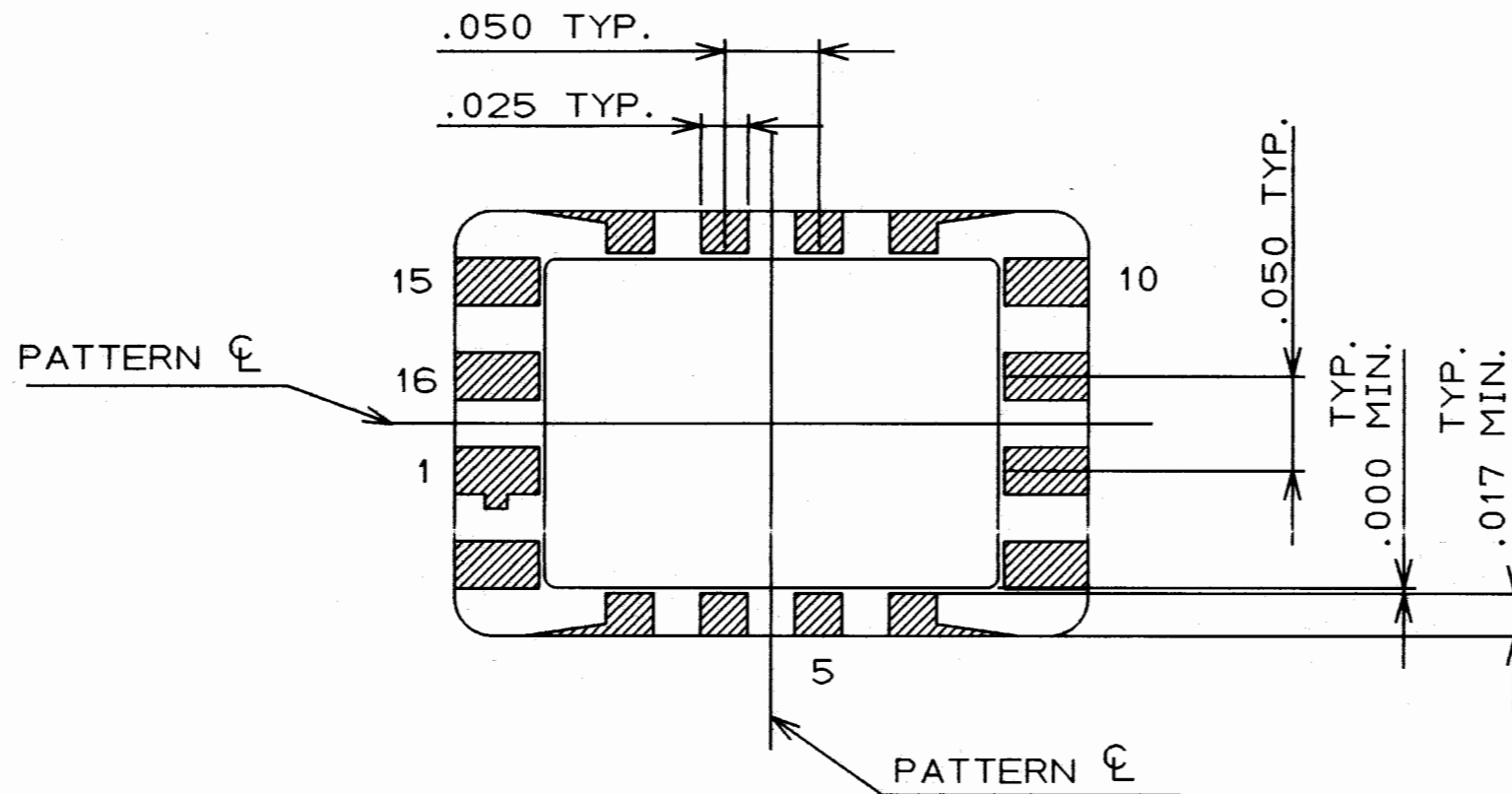
PART NO.	INDEX MARK	LEAD TIED DOWN
1		NIL
2		NO.5 ONLY
3		NO.8 ONLY
4		NO.1 ONLY



VENDOR'S OPTION

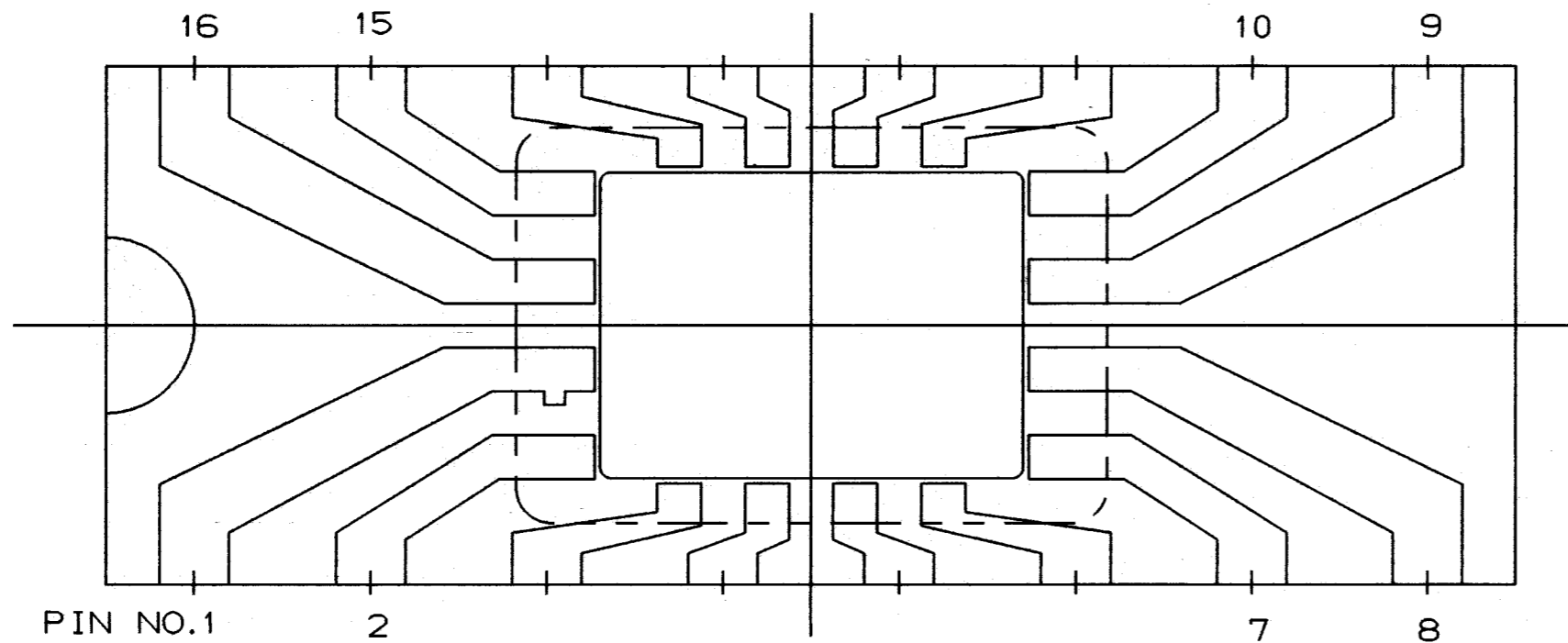
SB016H048-4	S=1 D=1		
SB016H048-3	S=8 D=8		
SB016H048-2	S=5 D=5		
SB016H048-1	S=0 D=0		
DRAWN	CHECKED	APPROVED	DATE
K.O	K.M		MAR.1.'77
DRAWING NO.		SHEET	
KD-77048-G		1/3	

MODIFICATION						NAME	TOLERANCE
						16 LEAD SIDE BRAZED PACKAGE	UNLESS OTHERWISE SPECIFIED
						SCALE 5/1	±.005
						MATERIAL AS INDICATED	THIRD ANGLE PROJECTION
	ADDED : PART NO.	JUN.10.'04	H.K	TO.H/S.NI	H.SA	KYOCERA	KYOCERA CORPORATION KYOTO JAPAN
	REDRAWN (CONVERTED CAD DATA)	DEC.21.'93	N.T	H.S	T.A		
	CHANGED	DATE	DRAWN	CHECKED	APPROVED		



BONDING PATTERN

MODIFICATION						NAME	TOLERANCE	DRAWN	CHECKED	APPROVED	DATE
						16 LEAD SIDE BRAZED PACKAGE	UNLESS OTHERWISE SPECIFIED	N.T	H.S	T.A	DEC.21.'93
					SCALE 10 / 1	MATERIAL		N. Juto	H. Sugi	T. Aoyu	
							THIRD ANGLE PROJECTION		S. Fuku		
CHANGED		DATE	DRAWN	CHECKED	APPROVED		KYOCERA CORPORATION KYOTO JAPAN	DRAWING NO.		SHEET	
								KD-77048-G	2/3		



SECOND LAYER PATTERN

MODIFICATION							NAME 16 LEAD SIDE BRAZED PACKAGE	TOLERANCE UNLESS OTHERWISE SPECIFIED	DRAWN M.K	CHECKED K.M	APPROVED	DATE NOV.10.'82
							SCALE 10 / 1	MATERIAL				
								THIRD ANGLE PROJECTION	<i>N. Futo</i>	<i>H. Sugi</i>	<i>T. Aso</i>	
	△ REDRAWN (CONVERTED CAD DATA) CHANGED	DEC.21.'93	N.T	H.S S.F	T.A		KYOCERA CORPORATION KYOTO JAPAN		DRAWING NO. KD-77048-G			SHEET 3/3