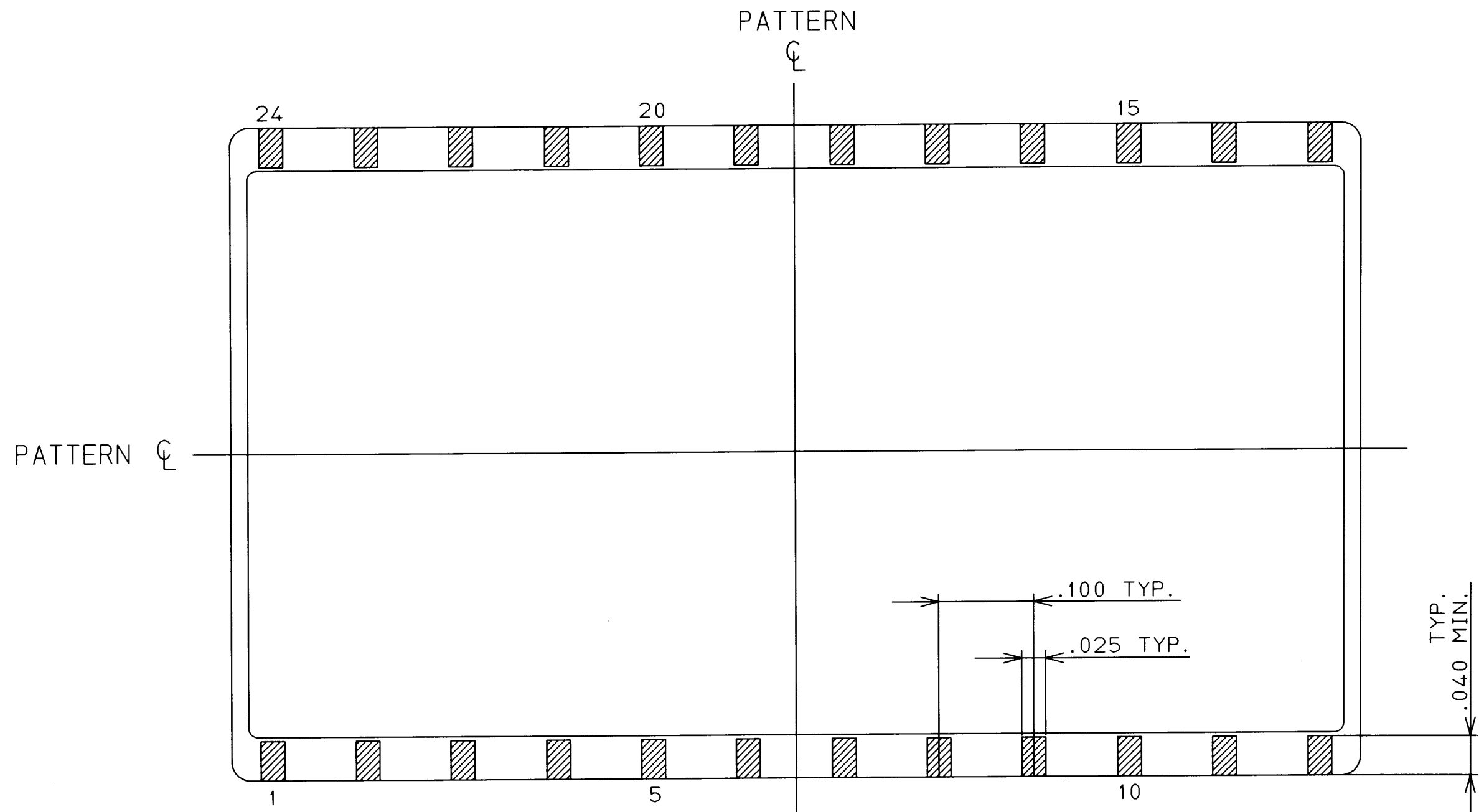


TYPE	SEAL RING
1	WITH SEAL RING METALLIZATION
2	WITHOUT SEAL RING METALLIZATION

HB024F338-2<sup>S=N</sup><sub>D=N</sub> HB024F338-1<sup>S=0</sup><sub>D=N</sub>

MODIFICATION	NAME				TOLERANCE UNLESS OTHERWISE SPECIFIED	DRAWN	CHECKED	APPROVED	DATE
	24 LEAD HYBRID PACKAGE								
	SCALE 4 / 1				±.005 THIRD ANGLE PROJECTION	K.M	E.I		NOV.28.'75
	MATERIAL AS INDICATED								
△ REDRAWN (CONVERTED CAD DATA) CHANGED	NOV.5.'96	M.SU	H.S/K.I	T.A	KYOCERA CORPORATION KYOTO JAPAN	DRAWING NO.			SHEET 1 / 2
	DATE	DRAWN	CHECKED	APPROVED		KD-75338-E			



MODIFICATION					NAME	TOLERANCE	DRAWN	CHECKED	APPROVED	DATE
					24 LEAD HYBRID PACKAGE	UNLESS OTHERWISE SPECIFIED	M. SU	H. S/K. I	T. A	NOV. 5 '96
					SCALE 8 / 1	MATERIAL				
							THIRD ANGLE PROJECTION	<i>M. Suwa</i>	<i>H. Sugi</i>	<i>T. Arai</i>
	CHANGED	DATE	DRAWN	CHECKED	APPROVED		KYOCERA CORPORATION KYOTO JAPAN		DRAWING NO.	SHEET
							KD-75338-E			2 / 2