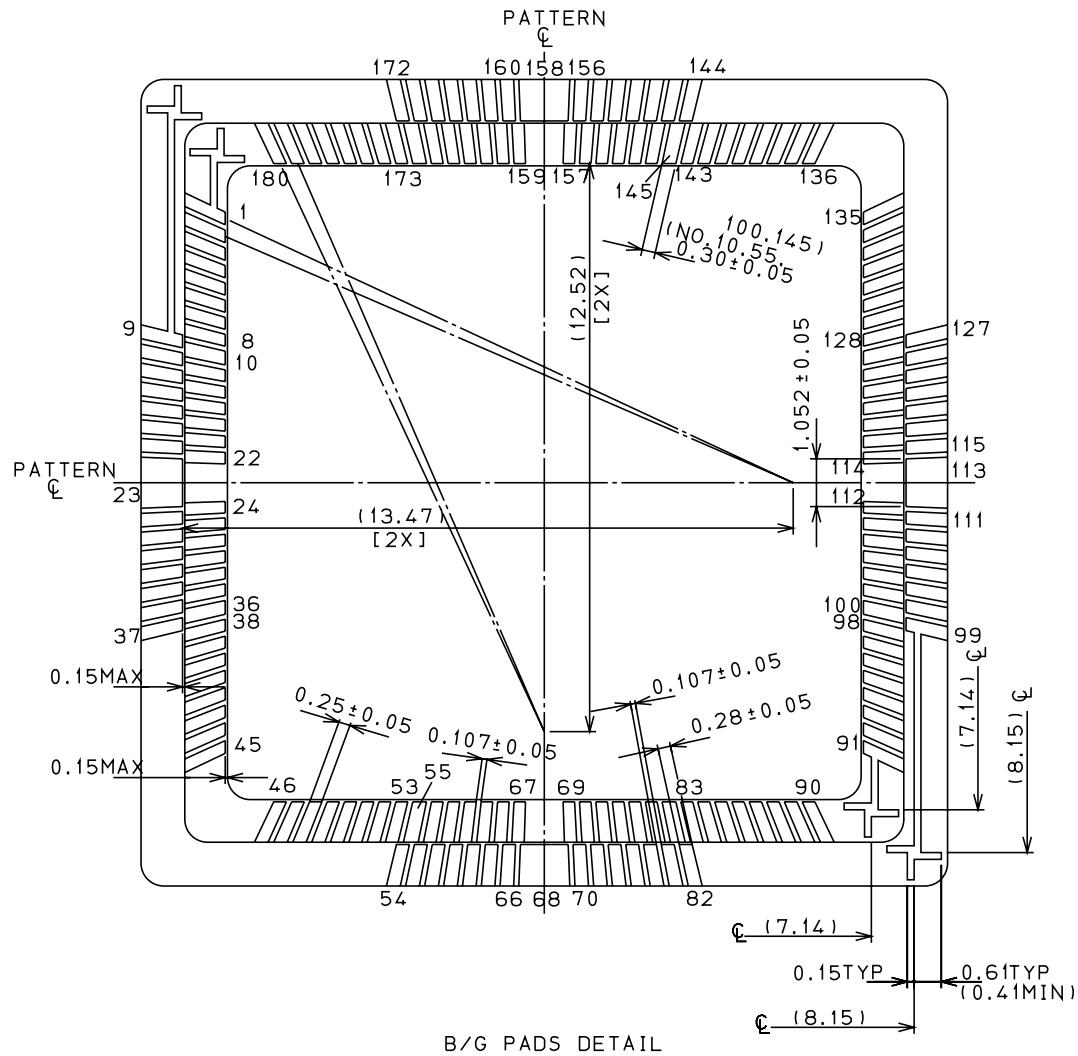


NOTES: 1. GOLD PLATE 1.52 μ m MIN OVER 1.27 μ m MIN NICKEL.
 2. SEAL RING AND DIE ATTACH PAD TO BE FLOATING FROM ANY PINS.
 3. LEAD RESISTANCE:
 W/B NO.1.23.46.68.91.113.136.158 --- 150m Ω MAX.
 THE OTHERS ----- 800m Ω MAX.
 4. NTK SPEC YS-1010 SHALL APPLY.

MODIFIED DWG NO. _____

③	STAND OFF PIN	ALLOY 42			
②	PIN	ALLOY 42			
①	CERAMIC	BLACK ALUMINA			
Item Name		Material	Description	Rev.	Description
UNLESS OTHERWISE SPECIFIED TOLERANCES: ± 1%			DRAWN		
N. L. T. 1 DECIMALS X. X. ± 0.25			CHECKED		
2 DECIMALS X. XX ± 0.13			T. OKUMURA		
CUSTOMER			APPROVED		
DWG NO.			T. NOMURA		
			UNIT	MM	DWG NO.
			SCALE	/	IPKX8F1-8385B-MO



B/G PADS DETAIL

MODIFIED DWG NO.

UNLESS OTHERWISE SPECIFIED
 TOLERANCES: ± 1%
 N. L. T. 1 DECIMALS X. X. ± 0.25
 2 DECIMALS X. XX ± 0.13

DRAWN T. OKUMURA
 CHECKED N. NAKAYAMA
 APPROVED T. NOMURA
 UNIT MM
 SCALE /

Rev.	Description	Date
	NTK NGK SPARK PLUG CO., LTD.	
	TITLE B/G PADS DETAIL	
	DWG NO. IPKX8F1-8385B-MO	

CONNECTION TABLE

PAD	PIN	PAD	PIN	PAD	PIN	PAD	PIN	PAD	PIN
1	B1	41	L1	81	P13	121	D13	161	C7
2	C1	42	M1	82	P14	122	C13	162	C6
3	D1	43	N1	83	R8	123	G14	163	C5
4	E1	44	P1	84	R9	124	F14	164	C4
5	F1	45	R1	85	R10	125	E14	165	C3
6	G1	46	M5	86	R11	126	D14	166	B8
7	H1	47	M6	87	R12	127	C14	167	B7
8	C2	48	M7	88	R13	128	B14	168	B6
9	D2	49	R2	89	R14	129	G15	169	B5
10	E2	50	R3	90	R15	130	F15	170	B4
11	F2	51	R4	91	P15	131	E15	171	B3
12	G2	52	R5	92	N15	132	D15	172	B2
13	H2	53	R6	93	M15	133	C15	173	A8
14	D3	54	R7	94	L15	134	B15	174	A7
15	E3	55	P3	95	K15	135	A15	175	A6
16	F3	56	P4	96	J15	136	D11	176	A5
17	G3	57	P5	97	H15	137	D10	177	A4
18	H3	58	P6	98	N14	138	D9	178	A3
19	E4,E5	59	P7	99	M14	139	A14	179	A2
20	F4	60	N4	100	L14	140	A13	180	A1
21	G4	61	N5	101	K14	141	A12		
22	H4	62	N6	102	J14	142	A11		
23	H5	63	N7	103	H14	143	A10		
24	J4	64	M8	104	M13	144	A9		
25	K4	65	M9	105	L13	145	B13		
26	L4	66	M10	106	K13	146	B12		
27	M4	67	M11	107	J13	147	B11		
28	J3	68	L8	108	H13	148	B10		
29	K3	69	M12	109	L12	149	B9		
30	L3	70	N8	110	K12	150	C12		
31	M3	71	N9	111	J12	151	C11		
32	N3	72	N10	112	H12	152	C10		
33	J2	73	N11	113	H11	153	C9		
34	K2	74	N12	114	G12	154	D8		
35	L2	75	N13	115	F12	155	D7		
36	M2	76	P8	116	E12	156	D6		
37	N2	77	P9	117	D12	157	D5		
38	P2	78	P10	118	G13	158	E8		
39	J1	79	P11	119	F13	159	D4		
40	K1	80	P12	120	E13	160	C8		

MODIFIED DWG NO.

UNLESS OTHERWISE SPECIFIED TOLERANCES: ± 1% N. L. T. 1 DECIMALS X. X ± 0.25 2 DECIMALS X. XX ± 0.13	DRAWN T. OKUMURA CHECKED N. NAKAYAMA APPROVED T. NOMURA	NTK NGK SPARK PLUG CO., LTD. TITLE CONNECTION TABLE
CUSTOMER _____ DWG NO. _____	UNIT MM SCALE /	DWG NO. IPKX8F1-8385B-MO