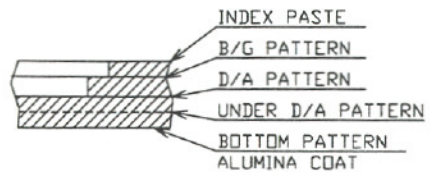


- NOTES:
- GOLD PLATE 80μ INCHES MIN OVER 80μ INCHES MIN NICKEL.
  - E5 PIN IS ISOLATED FROM ANY PADS.
  - LEAD RESISTANCE:  
 PIN C3,B2,H4,P2,N3,N8,N13,P14,H12,B14,C13,C8 --- 70mΩMAX.  
 PIN G4,H3,J4,M4,M7,M8,M9,M12,J12,H13,D7,D4,G12,D12,D9,D8 --- 120mΩMAX.  
 THE OTHERS ----- 500mΩMAX.
  - NO LEAD TO BE ELECTRICALLY CONNECTED TO THE DIE ATTACH PAD.



PACKAGE LAY-UP

3	STAND OFF PINKOVOR				
2	PIN	KOVOR			
1	CERAMIC	BLACK ALUMINA			
Item	Name	Material	Description	Rev.	Description
UNLESS OTHERWISE SPECIFIED TOLERANCES: ± 1% N.L.T. 2 DECIMALS XX ±01 3 DECIMALS XXX±005			DRAWN	C. MATSUURA	NTK TECHNICAL CERAMICS NGK SPARK PLUG CO., LTD
CHECKED			APPROVED		TITLE
CUSTOMER			CHELSEA TECHNOLOGY		176 PIN GRID ARRAY
DVG NO.			UNIT	m/m	SCALE
			SCALE		SIZE A-2 (C)
				DRAW. NO.	IPKX7F0-970Z
				PART NO.	SHEET 1 OF 2

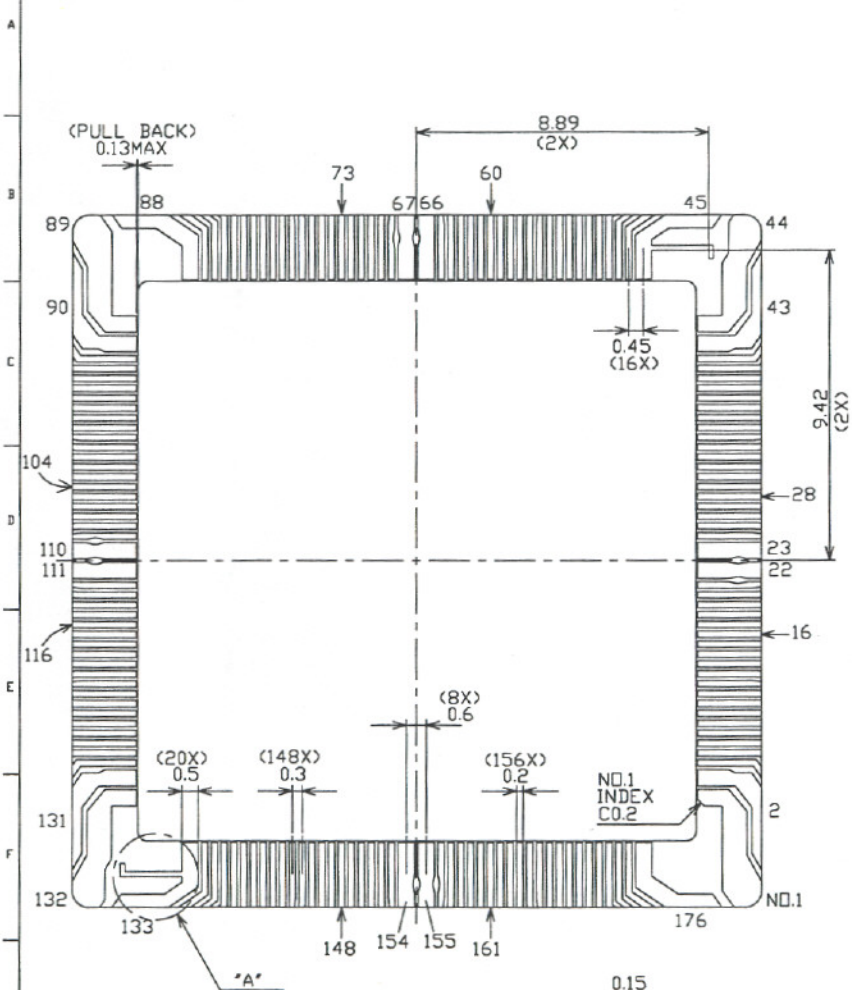
JAN-21-1998

MODIFIED DVG NO.

# NTK

## TECHNICAL CERAMICS

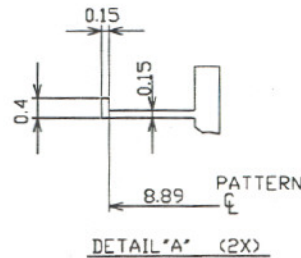
LATEST REVISION'S DISCRPTION



CONNECTION TABLE

PAD	PIN	PAD	PIN	PAD	PIN	PAD	PIN	PAD	PIN	PAD	PIN
1	● C3	31	L1	61	R6	91	P15	121	E14	151	B9
2	● B2	32	K3	62	N7	92	N14	122	F12	152	A9
3	B1	33	L2	63	P7	93	L12	123	D15	153	B8
4	C2	34	K4	64	R7	94	M13	124	E13	154	▲ D8
5	E4	35	M1	65	P8	95	N15	125	D14	155	● C8
6	D3	36	L3	66	▲ M8	96	M14	126	C15	156	A8
7	C1	37	M2	67	● N8	97	L13	127	D13	157	A7
8	D2	38	N1	68	R8	98	K12	128	E12	158	B7
9	E3	39	M3	69	R9	99	M15	129	C14	159	C7
10	F4	40	L4	70	P9	100	L14	130	B15	160	A6
11	D1	41	N2	71	N9	101	K13	131	● B14	161	▲ D7
12	E2	42	P1	72	R10	102	L15	132	● C13	162	B6
13	F3	43	● P2	73	▲ M9	103	K14	133	▲ D12	163	A5
14	E1	44	● N3	74	P10	104	▲ J12	134	A15	164	C6
15	F2	45	▲ M4	75	R11	105	K15	135	B13	165	B5
16	▲ G4	46	R1	76	N10	106	J13	136	C12	166	A4
17	F1	47	P3	77	P11	107	J14	137	D11	167	D6
18	G3	48	N4	78	R12	108	J15	138	A14	168	C5
19	G2	49	M5	79	M10	109	H14	139	A13	169	B4
20	G1	50	R2	80	N11	110	● H12	140	B12	170	A3
21	H2	51	R3	81	P12	111	▲ H13	141	C11	171	A2
22	● H4	52	P4	82	R13	112	H15	142	D10	172	D5
23	▲ H3	53	N5	83	R14	113	G15	143	A12	173	C4
24	H1	54	M6	84	M11	114	G14	144	B11	174	B3
25	J1	55	R4	85	N12	115	G13	145	C10	175	A1
26	J2	56	P5	86	P13	116	▲ G12	146	A11	176	▲ D4
27	J3	57	N6	87	R15	117	F15	147	B10		
28	▲ J4	58	R5	88	▲ M12	118	F14	148	▲ D9		
29	K1	59	P6	89	● N13	119	E15	149	A10		
30	K2	60	▲ M7	90	● P14	120	F13	150	C9		

●:70mQMAX  
▲:120mQMAX



MODIFIED DWG. NO.

UNLESS OTHERWISE SPECIFIED TOLERANCES ± 1%  
N.L.T. 2 DECIMALS XX ±.01  
3 DECIMALS XXX ±.005

DRAWN C.MATSUURA  
CHECKED  
APPROVED  
UNIT M/MEN  
SCALE

NEW DRAWING JAN-21-1998  
Rev. Description Date  
NTK TECHNICAL CERAMICS  
NGK SPARK PLUG CO., LTD  
TITLE B/G PADS DETAIL & CONNECTION TABLE  
DRAW. NO. IPKX7F0-970Z  
SIZE A-2 (C)

PART NO.

SHEET 2 OF 2