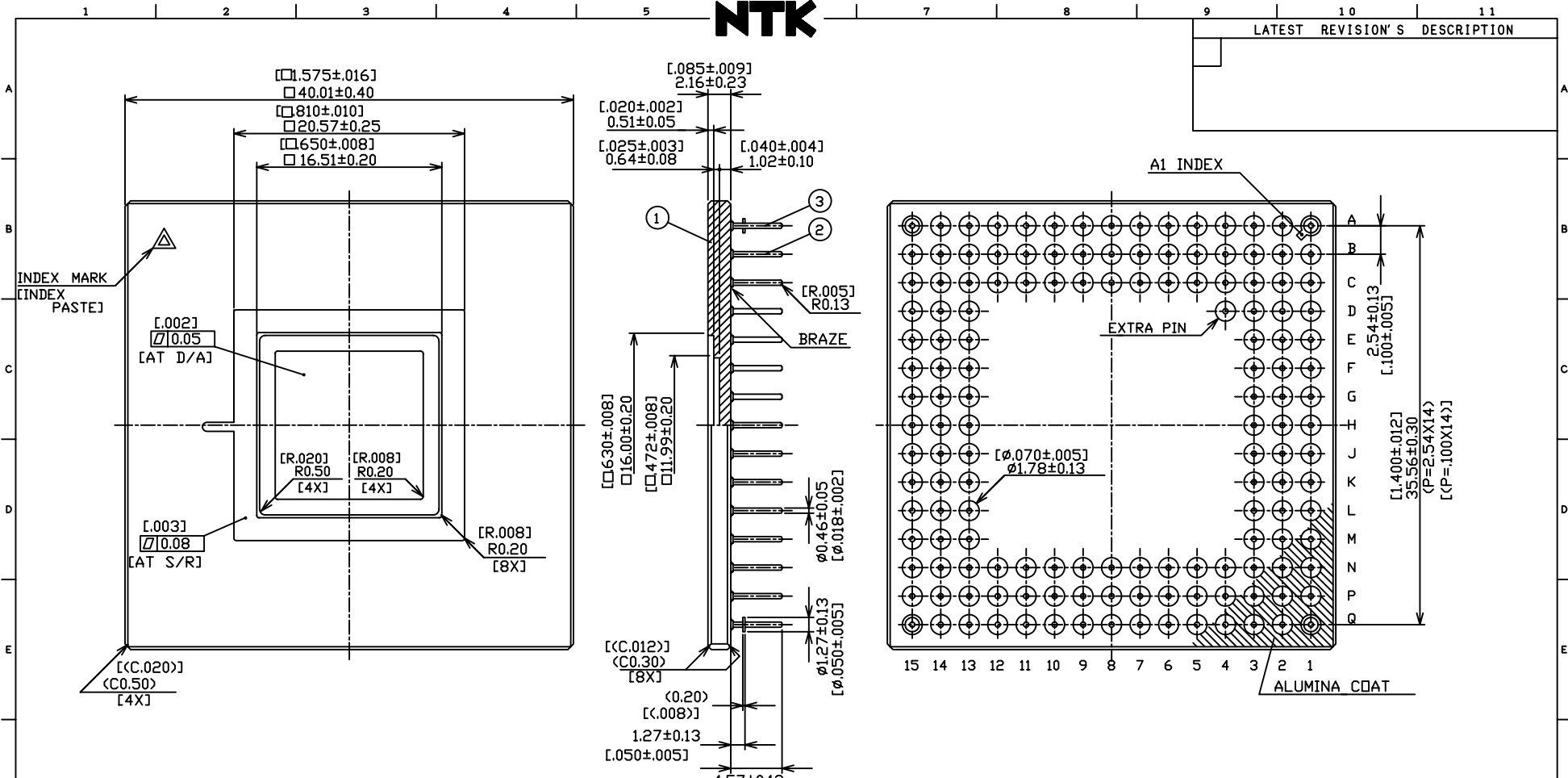


NTK

LATEST REVISION'S DESCRIPTION



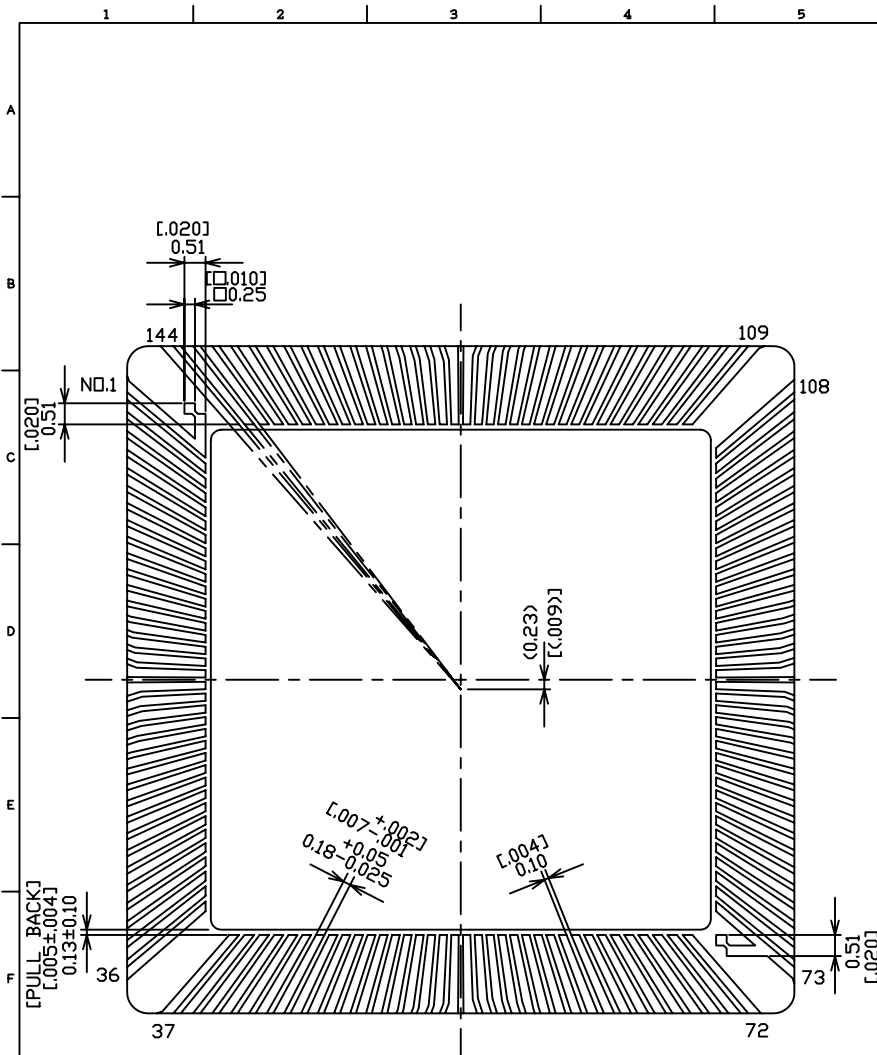
- NOTES:
1. GOLD PLATE 1.5μm [60μ INCHES] MIN OVER 2.0μm [80μ INCHES] MIN NICKEL.
 2. LEAD RESISTANCE:
 NO.18,19,54,55,90,91,126,127 ----- 150mΩ MAX
 NO.1,37,73,109 ----- 200mΩ MAX
 OTHERS ----- 800mΩ MAX
 3. D4 PIN(EXTRA PIN) TO BE ELECTRICALLY CONNECTED TO D3 PIN.
 4. SEAL RING AND DIE ATTACH PAD TO BE FLOATING FROM ANY PINS.
 5. NTK SPEC YS-1010 SHALL APPLY.

3	STAND OFF PIN	ALLOY42			
2	PIN	ALLOY42			
1	CERAMIC	BLACK ALUMINA			
Item	Name	Material	Description	Rev.	Date
UNLESS OTHERWISE SPECIFIED			DRAWN	NTK	
TOLERANCES: ± 1%			CHECKED	AUG-11	
N. L. T. 1 DECIMALS X.X ±0.25			C.MATSUURA	-2008	
2 DECIMALS X.XX ±0.13			A.UCHIDA	NGK SPARK PLUG CO., LTD.	
CUSTOMER			APPROVED	TITLE	
CHELSEA TECHNOLOGY			S.NISHIMURA	144 PIN GRID ARRAY	
DWG NO.			UNIT	DWG NO.	
			MM [INCH]	IPKX4F1-8575L	
			SCALE		

MODIFIED DWG NO.

NTK

REV.	DATE	DESCRIPTION



B/G PAD DETAIL

CONNECTION TABLE

PAD	PIN	PAD	PIN	PAD	PIN	PAD	PIN	PAD	PIN	PAD	PIN
1	D3	25	L1	49	N7	73	M13	97	E15	121	C9
2	C2	26	L2	50	Q6	74	M14	98	E14	122	A10
3	B1	27	M1	51	Q7	75	P15	99	D15	123	A9
4	D2	28	N1	52	P8	76	M14	100	C15	124	B8
5	E3	29	M2	53	Q8	77	L13	101	D14	125	A8
6	C1	30	L3	54	N8	78	N15	102	E13	126	C8
7	E2	31	N2	55	N9	79	L14	103	C14	127	C7
8	D1	32	P1	56	Q9	80	M15	104	B15	128	A7
9	F3	33	M3	57	Q10	81	K13	105	D13	129	A6
10	F2	34	N3	58	P9	82	K14	106	C13	130	B7
11	E1	35	P2	59	P10	83	L15	107	B14	131	B6
12	G2	36	Q1	60	N10	84	J14	108	A15	132	C6
13	G3	37	N4	61	Q11	85	J13	109	C12	133	A5
14	F1	38	P3	62	P11	86	K15	110	B13	134	B5
15	G1	39	Q2	63	Q12	87	J15	111	A14	135	A4
16	H2	40	P4	64	Q13	88	H14	112	B12	136	A3
17	H1	41	N5	65	P12	89	H15	113	C11	137	B4
18	H3	42	Q3	66	N11	90	H13	114	A13	138	C5
19	J3	43	P5	67	P13	91	G13	115	B11	139	B3
20	J1	44	Q4	68	Q14	92	G15	116	A12	140	A2
21	K1	45	N6	69	N12	93	F15	117	C10	141	C4
22	J2	46	P6	70	N13	94	G14	118	B10	142	C3
23	K2	47	Q5	71	P14	95	F14	119	A11	143	B2
24	K3	48	P7	72	Q15	96	F13	120	B9	144	A1

MODIFIED DWG NO. _____

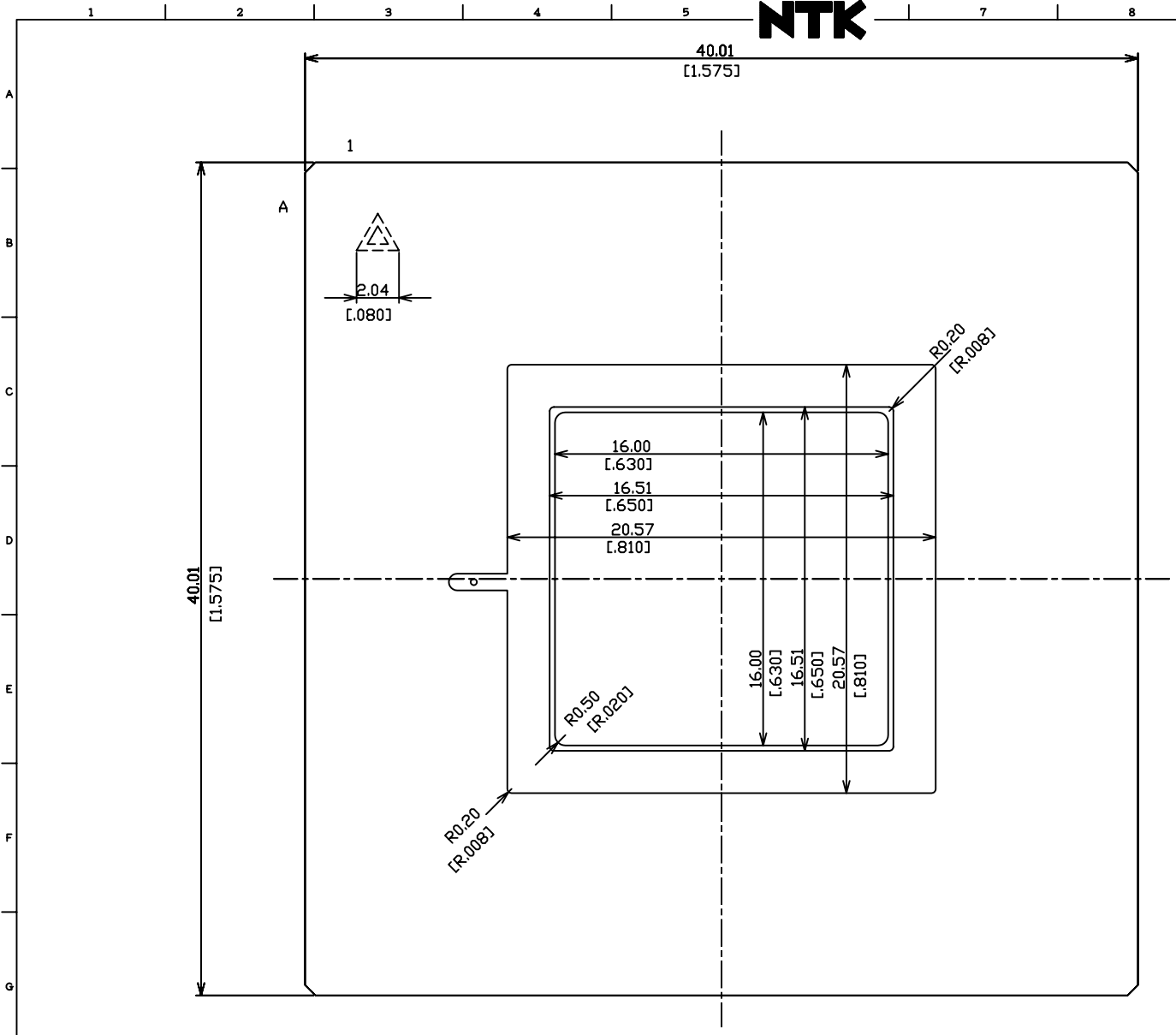
UNLESS OTHERWISE SPECIFIED
TOLERANCES: ± 1%
N. L. T. 1 DECIMALS X.X ±0.25
2 DECIMALS X.XX ±0.13

DRAWN: C.MATSUURA
CHECKED: AUCHIDA
APPROVED: S.NISHIMURA
UNIT: MM[INCH]
SCALE: /

Rev.	Description	Date
	NEW DRAWING	AUG.-11-2008
	NTK NGK SPARK PLUG CO., LTD.	
	TITLE: B/G PAD DETAIL & CONNECTION TABLE	
	DWG NO. IPKX4F1-8575L	

NTK

LATEST	REVISION'S	DESCRIPTION



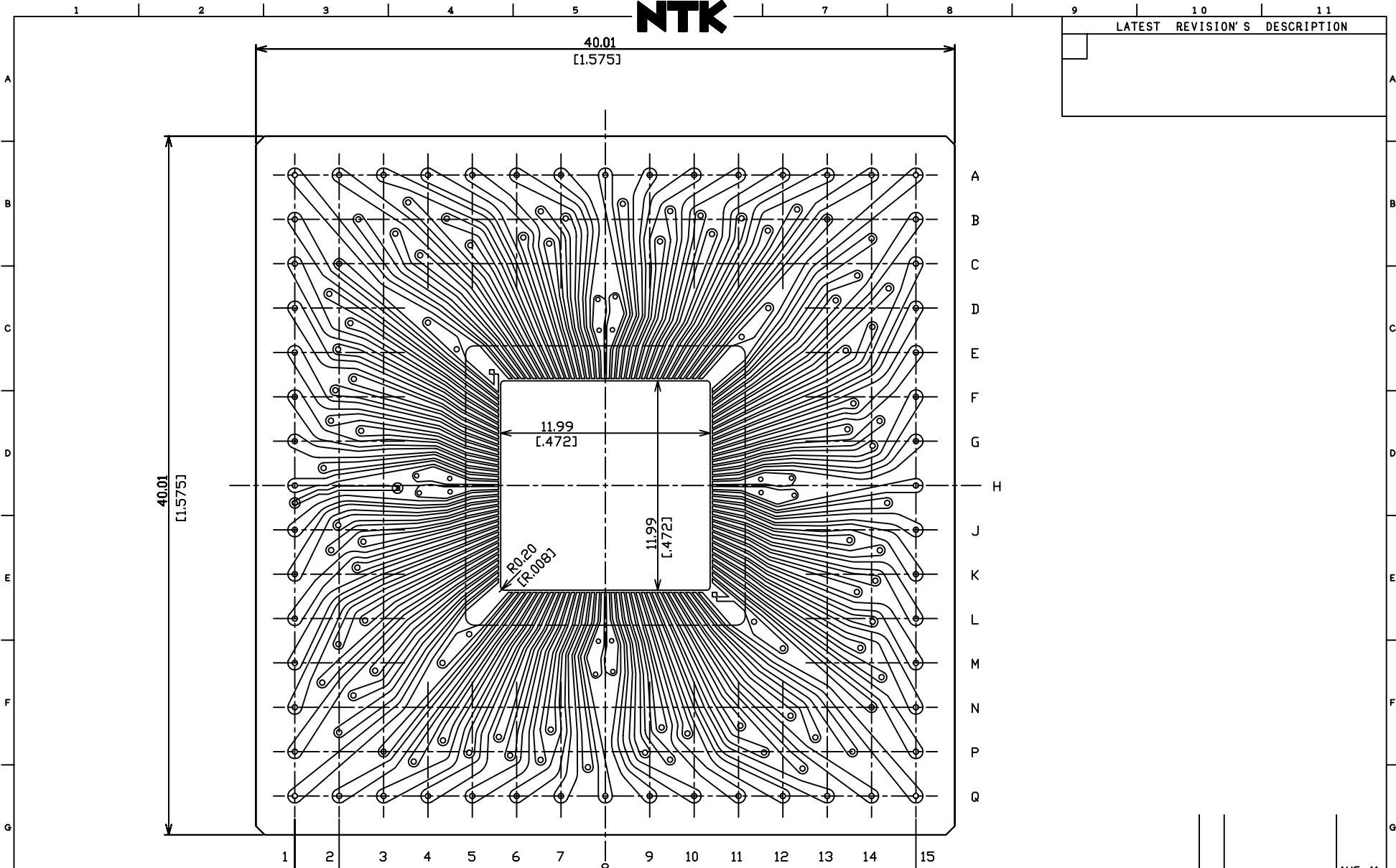
MODIFIED	
DWG NO.	

DESCRIPTION	DRAWN	NTK
FILE NAME	CHECKED	NGK SPARK PLUG CO., LTD.
CUSTOMER	APPROVED	TITLE (INDEX PASTE)
CHELSEA TECHNOLOGY	S.NISHIMURA	S/R PATTERN
DWG NO.	UNIT	DWG No. (P-IPK-8575L-4)
	SCALE	P-IPK-8575K-3

Rev.	Description	Date
	NEW DRAWING	AUG-11-2008

NTK

LATEST	REVISION'S	DESCRIPTION



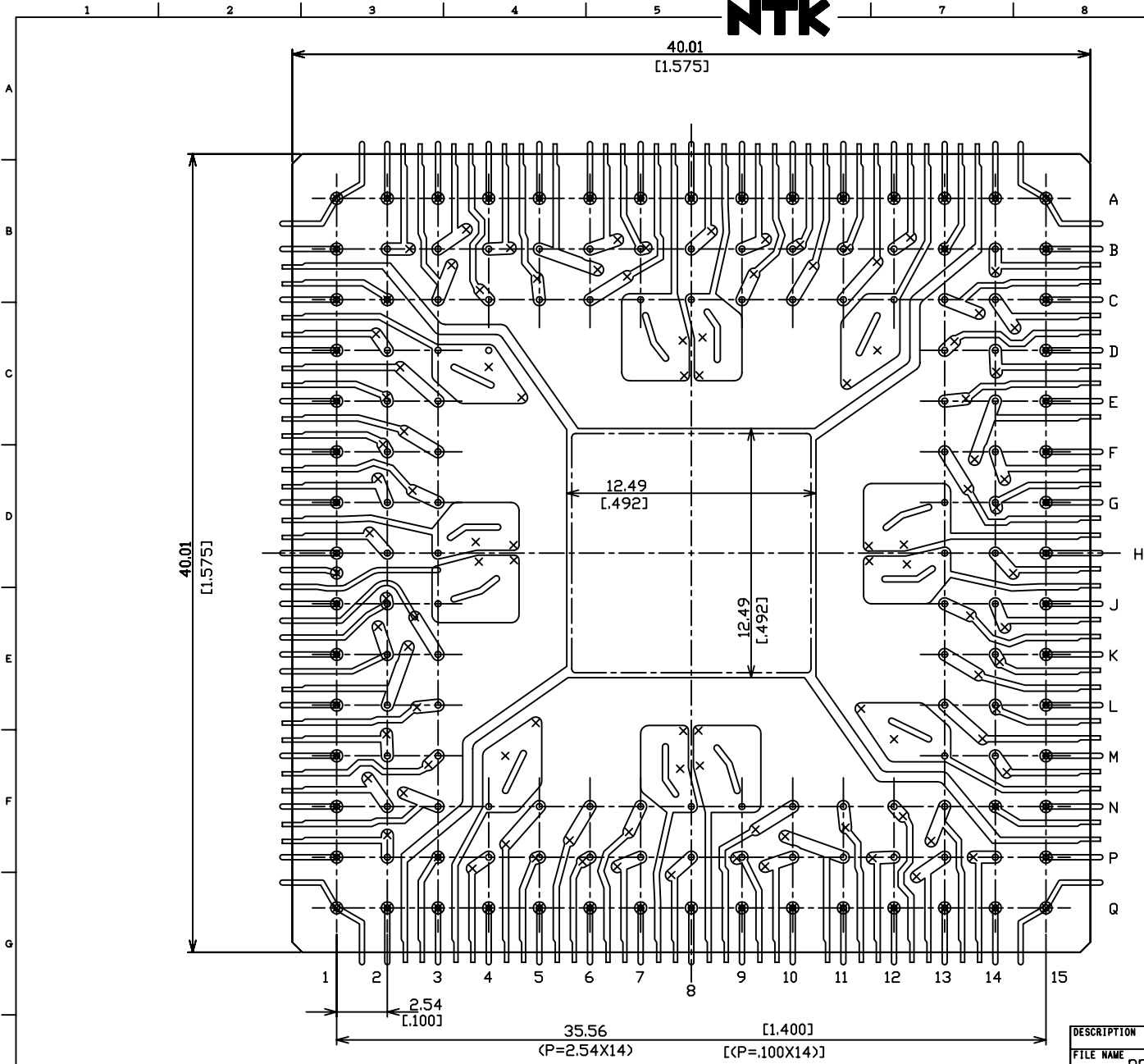
MODIFIED	
DWG NO.	

DESCRIPTION	DRAWN	NTK	AUG-11
FILE NAME	C.MATSUURA	NGK SPARK PLUG CO., LTD.	-2008
pp8575l-e	CHECKED	TITLE	
CUSTOMER	AUCHIDA	B/G PATTERN	
CHELSEA TECHNOLOGY	APPROVED	DWG No.	
DWG NO.	S.NISHIMURA	P-IPK-8575A-2	
	UNIT		
	MM [INCH]		
	SCALE		
	/		

PART NO. SHEET OF

NTK

9	10	11
LATEST REVISION'S DESCRIPTION		



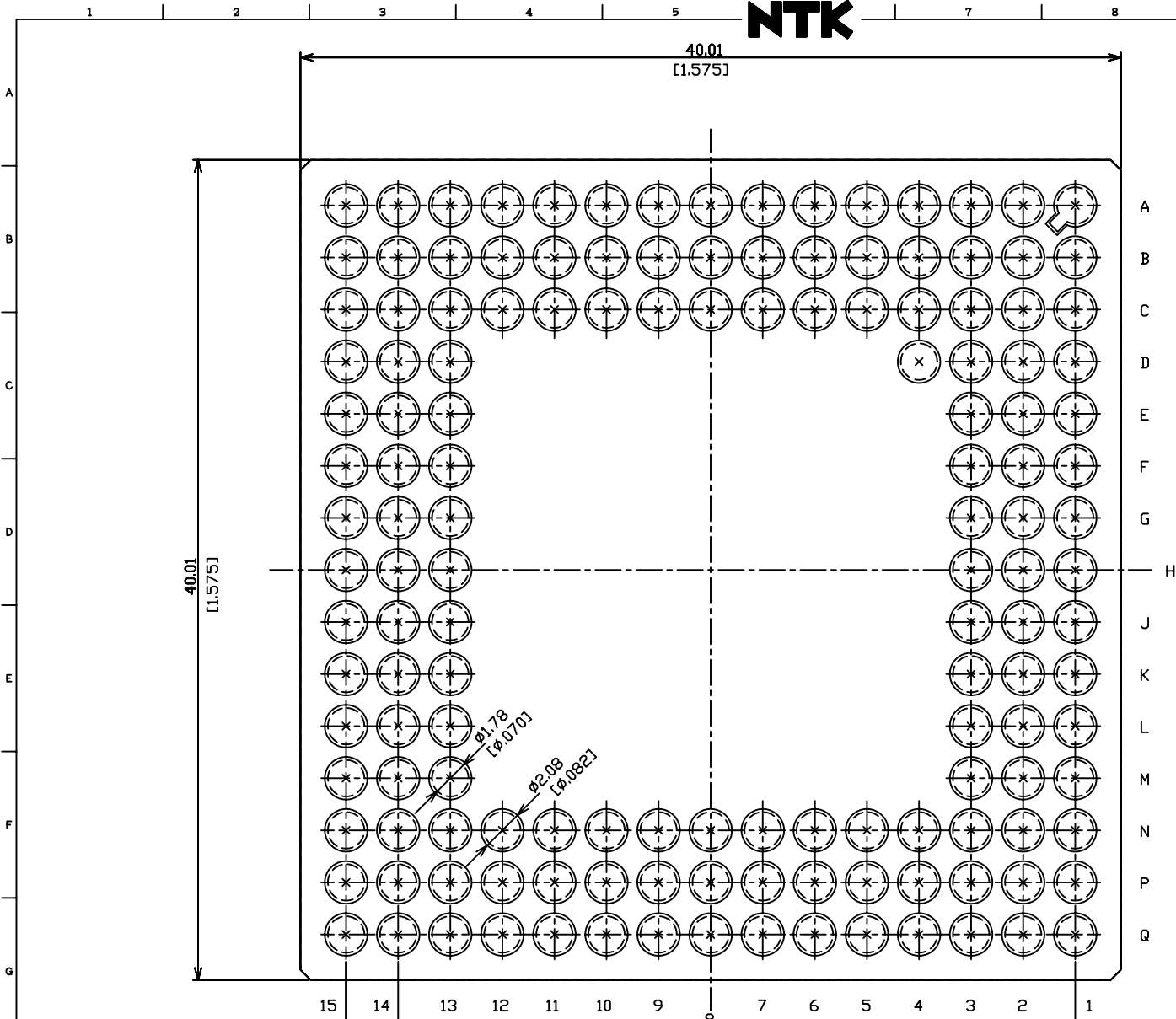
MODIFIED	
DWG NO.	

DESCRIPTION	DRAWN C. MATSUURA	NTTK	AUG-11
FILE NAME	CHECKED AUCHIDA	NGK SPARK PLUG CO., LTD.	-2008
CUSTOMER	APPROVED S. NISHIMURA	TITLE	Date
CHELSEA TECHNOLOGY	UNIT MM [INCH]	D/A PATTERN	
DWG NO.	SCALE	DWG NO.	
		P-IPK-8575A-1	

PART NO. SHEET OF

NTK

REV.	DATE	DESCRIPTION



MODIFIED	
DWG NO.	

DESCRIPTION	DRAWN	NTK	AUG-11
FILE NAME	C. MATSUURA	NGK SPARK PLUG CO., LTD.	-2008
CUSTOMER	CHECKED	TITLE	Rev.
CHELSEA TECHNOLOGY	AUCHIDA	ALUMINA COAT)	Description
DWG NO.	APPROVED	BRAZE PAD	Date
	S. NISHIMURA	DWG No.	(P-IPK-922A-02)
	UNIT		P-IPK-8575K-01
	MM [INCH]		
	SCALE		

PART NO. SHEET OF