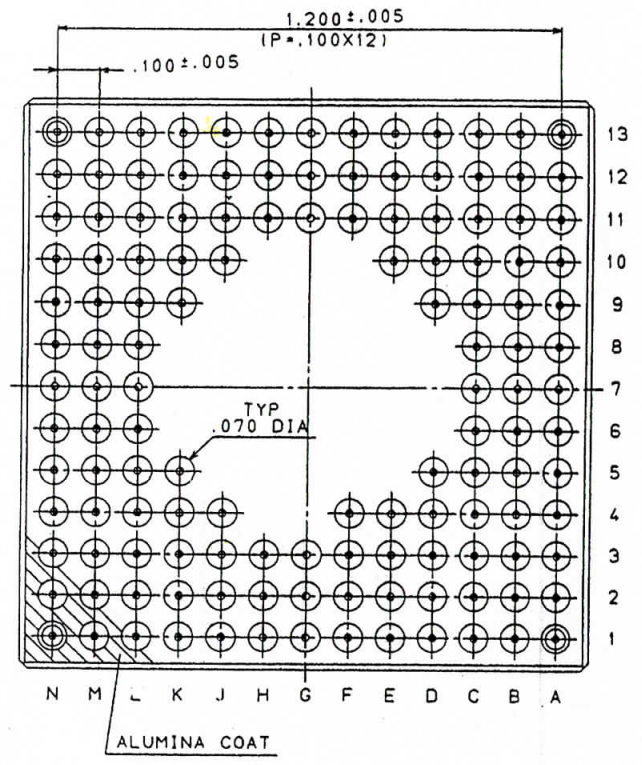
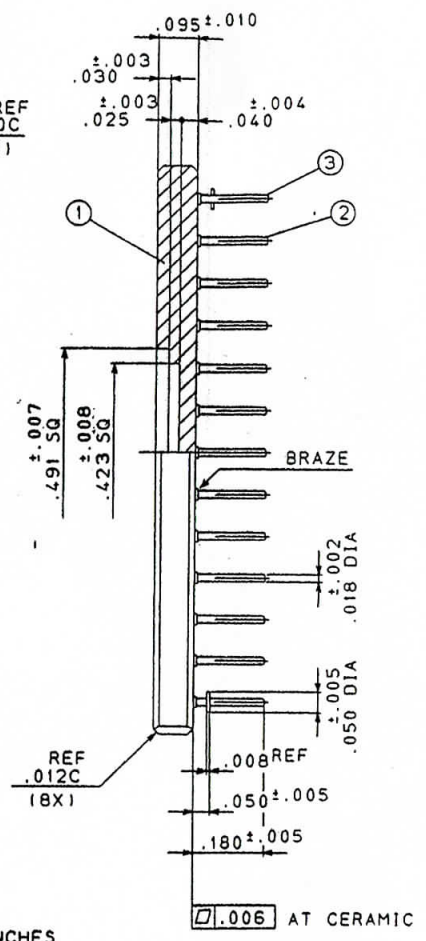
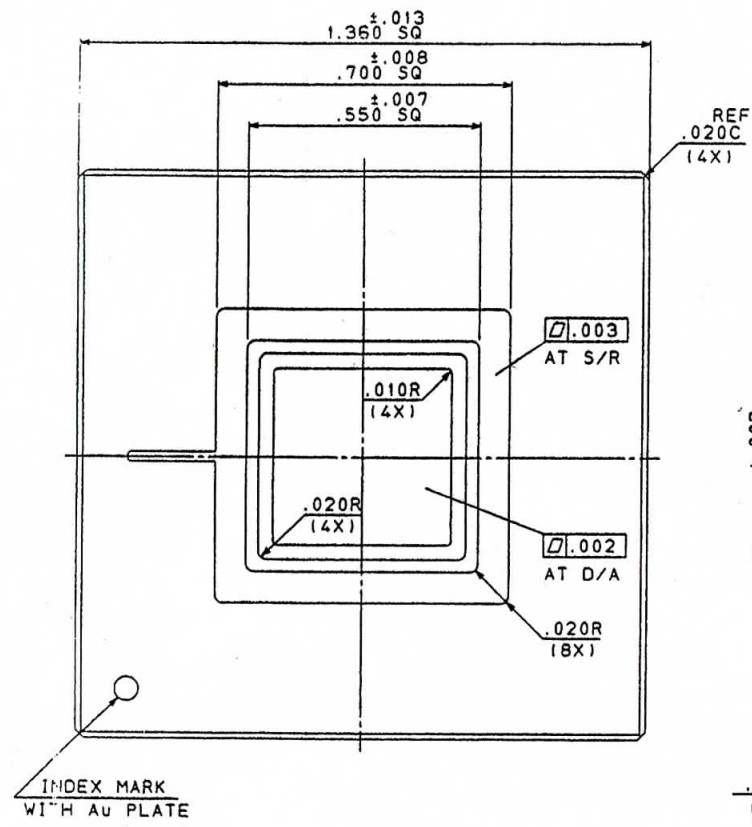


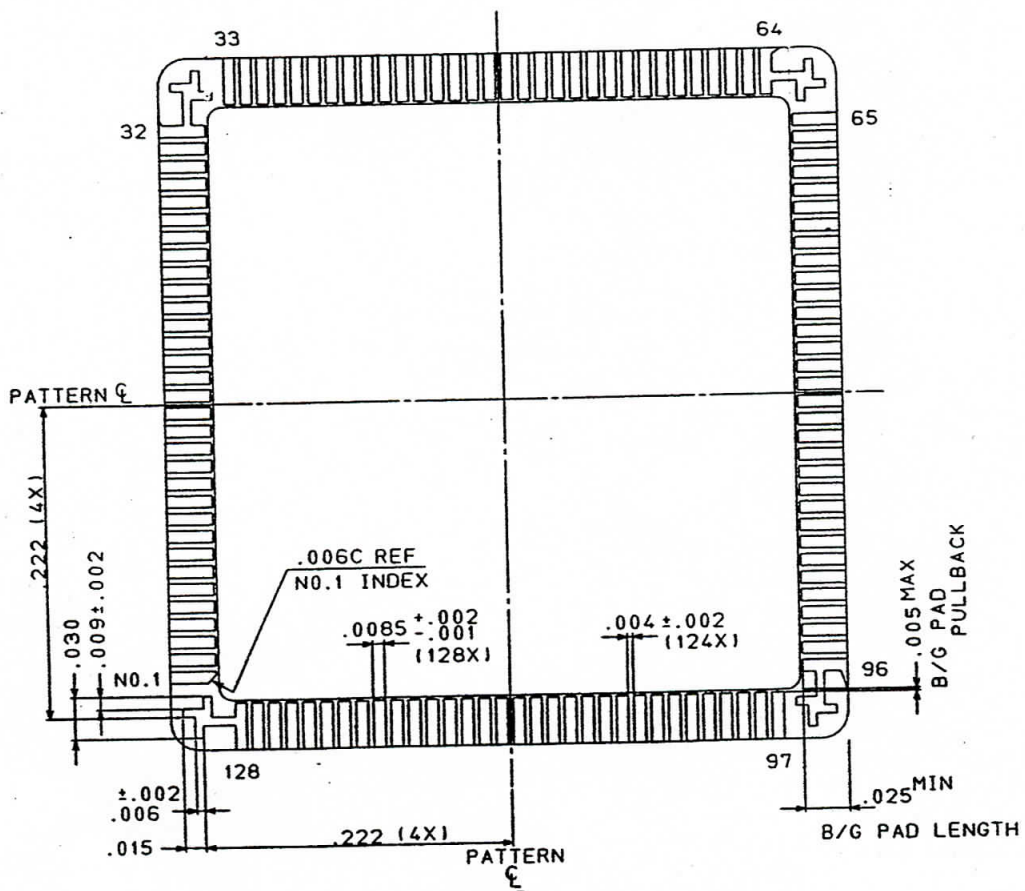
CONTROLLED COPY

SIZE A	CODE R7	IDENT. NO. 61203	DOC. NO. 58007
-----------	------------	---------------------	-------------------



- NOTES
1. GOLD PLATE 60μ MIN INCHES OVER 100μ MIN INCHES NICKEL.
 2. NO LEAD TO BE ELECTRICALLY CONNECTED TO THE D/A PAD.
SEAL RING ISOLATED.
 3. LEAD RESISTANCE : 850mΩ MAX(ALL LEADS).

NTK Part# IPKX3F1-1734A



CONNECTION TABLE

PAD	PIN	PAD	PIN	PAD	PIN	PAD	PIN	PAD	PIN	PAD	PIN
1	D1	24	A10	47	E13	70	M11	93	L5	116	G3
2	C4	25	C10	48	G11	71	L10	94	K4	117	F1
3	A1	26	B10	49	G12	72	M10	95	L4	118	E2
4	B2	27	D9	50	G13	73	N10	96	J3	119	E1
5	A2	28	A12	51	H12	74	L9	97	M3	120	F3
6	B3	29	B12	52	H13	75	L8	98	M2	121	C1
7	C5	30	C12	53	J13	76	M9	99	M1	122	E4
8	B5	31	A13	54	J12	77	N9	100	L2	123	E3
9	B4	32	A11	55	J10	78	M8	101	L3	124	D3
10	A5	33	D10	56	J11	79	N8	102	L1	125	D2
11	A3	34	C11	57	K13	80	M7	103	J4	126	C3
12	A4	35	B11	58	K12	81	N7	104	N1	127	C2
13	C6	36	D11	59	L13	82	N6	105	K3	128	B1
14	B6	37	E11	60	M13	83	M6	106	K2	N/C	A8
15	C7	38	E10	61	N13	84	L7	107	J1		D4
16	A6	39	C13	62	K10	85	L6	108	K1		D5
17	A7	40	D12	63	K11	86	K5	109	J2		F4
18	B7	41	E12	64	N11	87	N5	110	H2		N12
19	B8	42	B13	65	H11	88	M5	111	H3		
20	A9	43	D13	66	L12	89	N4	112	G2		
21	C8	44	F11	67	K9	90	M4	113	H1		
22	B9	45	F13	68	M12	91	N3	114	G1		
23	C9	46	F12	69	L11	92	N2	115	F2		

CONTROLLED COPY

SIZE	CODE IDENT. NO	DOC. NO.
A	61203	58007
SHEET 83		