

- NOTES: 1. GOLD PLATE $60\mu \sim 225\mu$ INCHES OVER
 $80\mu \sim 350\mu$ INCHES NICKEL.
 2. NO LEAD TO BE ELECTRICALLY CONNECTED
 TO THE DIE ATTACH PAD.
 SEAL RING ISOLATED.
 3. ... SPECIFICATION G336507 SHALL APPLY.

3	STAND OFF PIN	KOVAR	
2	PIN	KOVAR	
1	CERAMIC	BLACK ALUMINA	
Item	Name	Material	Description
UNLESS OTHERWISE SPECIFIED			
TOLERANCES: ± 1/100		DRAWN NOMURA	
N. L. T. 2 DECIMALS; XX ± .01		CHECKED	
3 DECIMALS; XXX ± .005		APPROVED	
CUSTOMER		UNIT INCH	
DWG NO. G336406-6		SCALE	

TOOLED

NEW DRAWING			JAN-12
			-1993
Rev.	Description	Date	
	NTK TECHNICAL CERAMICS	NGK SPARK PLUG CO., LTD	
TITLE			
84 PIN GRID ARRAY			
DWG NO.	1PKB4F1-8480B	SIZE	A-2
			(C)

MODIFIED DWG NO.

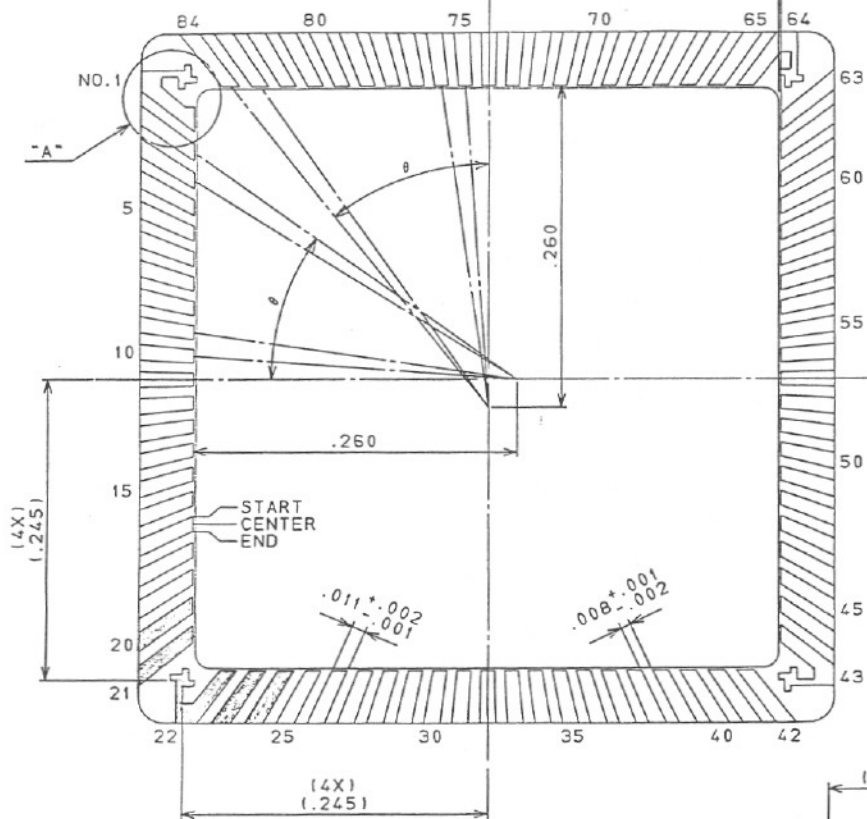
NTK

TECHNICAL CERAMICS

LATEST REVISIONS DESCRIPTION

PULL BACK
NO RUNDOWN
.005MAX

PATTERN
C

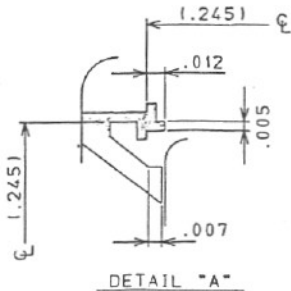


B/G PADS DETAIL

PATTERN
C

CONNECTION TABLE (PAD ~ PIN)

PAD	PIN	PAD	PIN	PAD	PIN	PAD	PIN
1	B2	22	K2	43	K10	64	B10
2	C2	23	K3	44	J10	65	B9
3	B1	24	L2	45	K11	66	A10
4	C1	25	L3	46	J11	67	A9
5	D2	26	K4	47	H10	68	B8
6	D1	27	L4	48	H11	69	A8
7	F2	28	K6	49	G9	70	C7
8	E2	29	K5	50	G10	71	B7
9	E1	30	L5	51	G11	72	A7
10	E3	31	J5	52	F10	73	B6
11	F3	32	J6	53	F9	74	C6
12	F1	33	L6	54	E9	75	C5
13	G1	34	L7	55	E11	76	A5
14	G2	35	K7	56	E10	77	B5
15	G3	36	J7	57	F11	78	A6
16	H1	37	L8	58	D11	79	A4
17	H2	38	K8	59	D10	80	B4
18	J1	39	L9	60	C11	81	A3
19	K1	40	L10	61	B11	82	A2
20	J2	41	K9	62	C10	83	B3
21	L1	42	L11	63	A11	84	A1



DETAIL "A"

TOOLED

NEW DRAWING -1993

Rev Description Date
 NTK TECHNICAL CERAMICS
 NGK SPARK PLUG CO., LTD
 TITLE B/G PADS DETAIL & CONNECTION TABLE
 DWG NO. IPK84F1-8480B
 SIZE A-2 (C)

DESCRIPTION FILE NAME bp8480b-e1
 CUSTOMER APPROVED
 DWG NO. G336406-6
 UNIT MM (INCH)
 SCALE
 DRAWN NOMURA
 CHECKED
 PART No.

SHEET 2 OF 2

MODIFIED DWG NO.