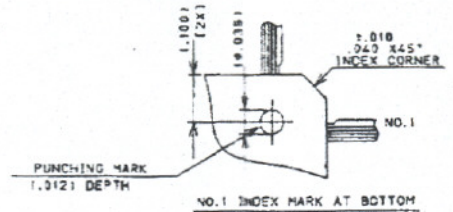
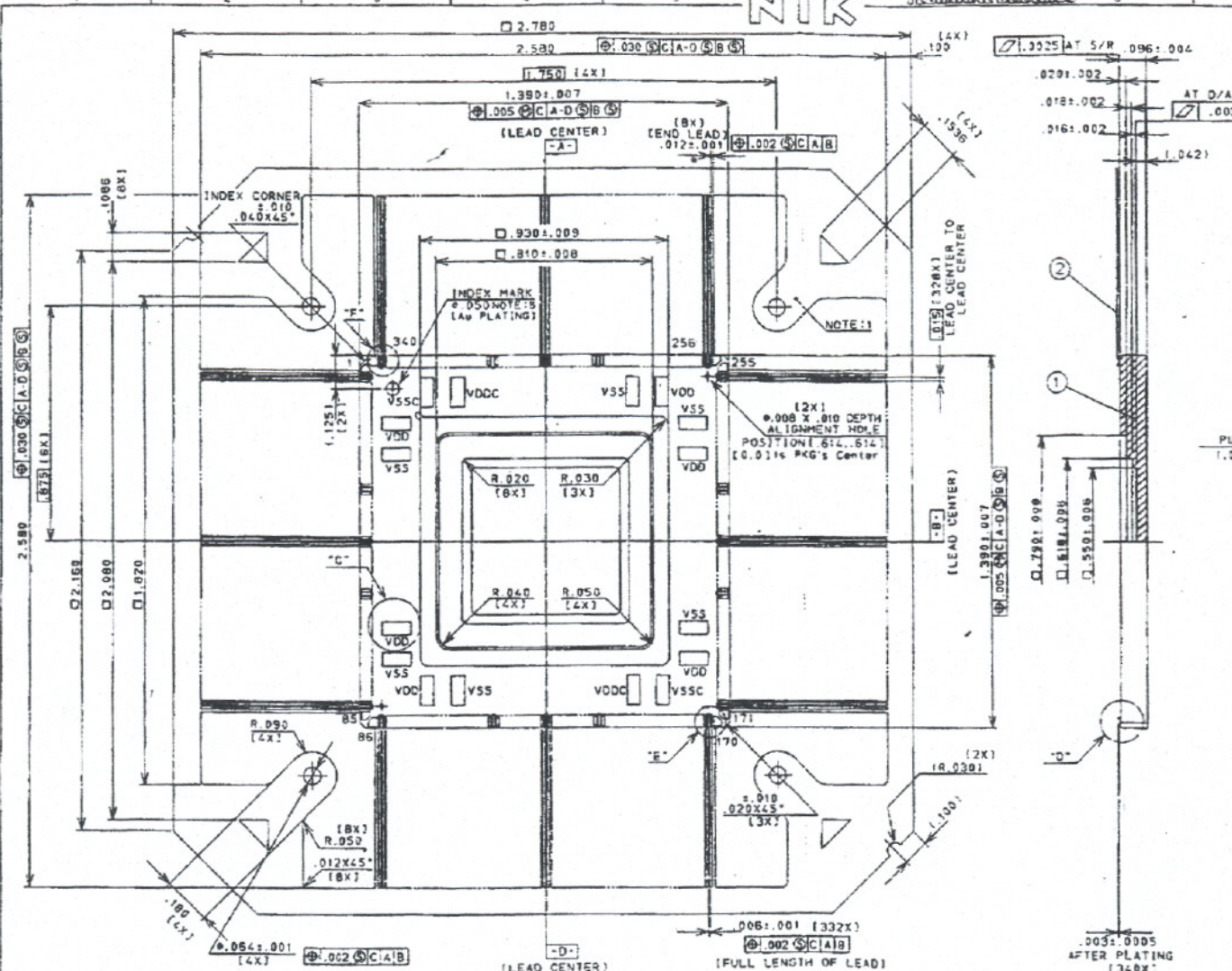


NTK

TECHNICAL CERAMIC

LATEST REVISION'S DESCRIPTION

A	CHG INDEX MARK, CHG TRUE POSITION.
B	CHG SHEET 2 OF 4.



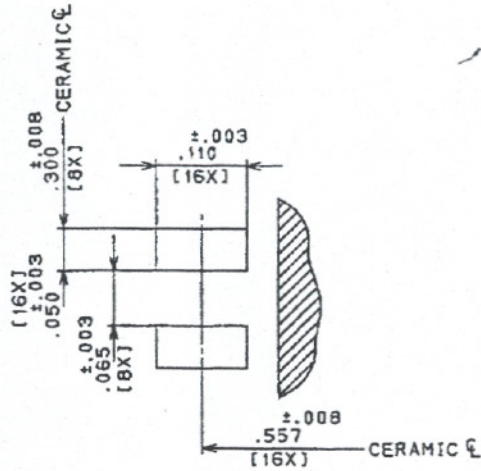
TOOLED

3			B	RE DRAWING	MAR-23-1992
2	LEAD	KOVAR	A	RE DRAWING	NOV-11-1992
1	CERAMIC	BLACK ALUMINA	0	NEW DRAWING	NOV-05-1992
Draw No	002	Material	Rev.	Description	010
UNLESS OTHERWISE SPECIFIED TOLERANCES: ± 1% CHECKED N. L. T. 2 DECIMALS. XX ± 01 3 DECIMALS. XXX ± 005					
DRAWN BY H. HASHIMOTO NTK TECHNICAL CERAMICS					
CHECKED BY [Signature] YOK SPARK PLUG CO., LTD.					
APPROVED BY [Signature] TITLE 340 LEAD FLAT PACKAGE					
SCALE: 1/8" = 1" INCH					
PART NO. IMKZ4F1-4703A SHEET: 1 OF 4					

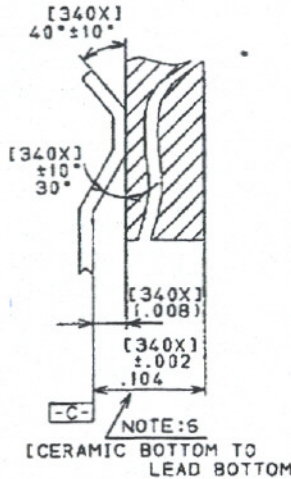
MODIFIED DWG No. IMKZ4F1-4703A

PART NO. IMKZ4F1-4703A SHEET: 1 OF 4

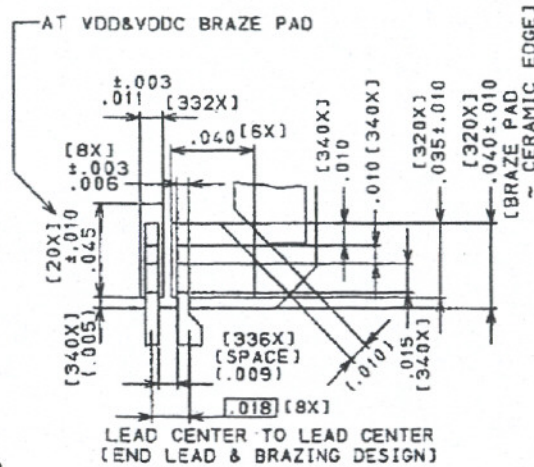
B CHG NOTE:4



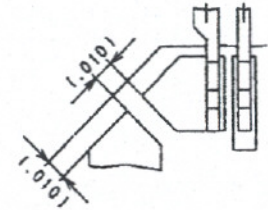
DETAIL "C"



DETAIL "D"



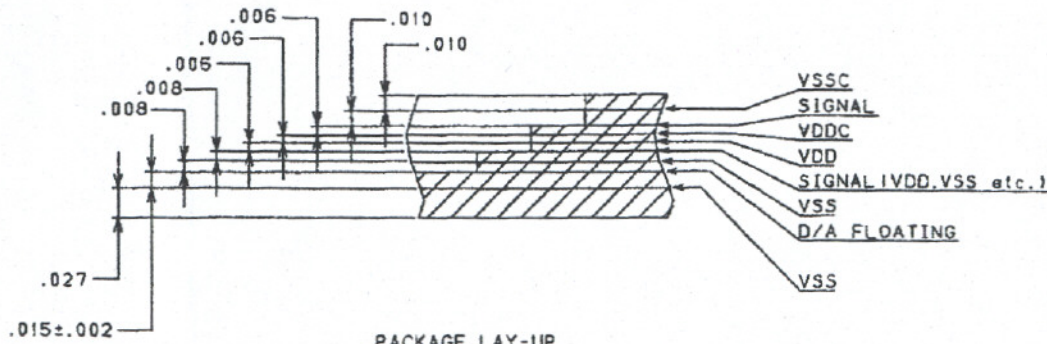
DETAIL "E"



DETAIL "F"

NOTES:

1. PLATING: GOLD PLATED 60-100μ INCHES OVER 50-200μ INCHES NICKEL. AT THE TIE BAR WITH .064 HOLE.
2. SEAL AREA TO BE ISOLATED. [FLOATING]
3. D/A AREA TO BE ISOLATED. [FLOATING]
4. RESISTANCE: SIGNAL ---- 1100ΩMAX OTHERS ---- 300ΩMAX
5. CHIP CAPACITOR PAD BURR OR PROTRUSION: .001" MAX.
6. MEASURED .010 FROM THE CERAMIC EDGE.
7. BRAZING MATERIAL: Au/Cu.
8. INDEX MARK TO BE CONNECTED TO NO.1 LEAD. [VSS]



PACKAGE LAY-UP

TOOLED

UNLESS OTHERWISE SPECIFIED TOLERANCES: ± 1%		DRAWN	N. NAKAYAMA	DATE	11/12
N. L. T. 3 DECIMALS. XX ± 31 DECIMALS. XXX ± 99		CHECKED		BY	NTS TECHNICAL CERAMICS
		APPROVED		TITLE	NGK SPARK PLUG CO., LTD
		UNIT	INCH	SCALE	340 LEAD FLAT PACKAGE
		SCALE		DWG NO.	IMKZ4F1-4740A
				SIZE	A-C

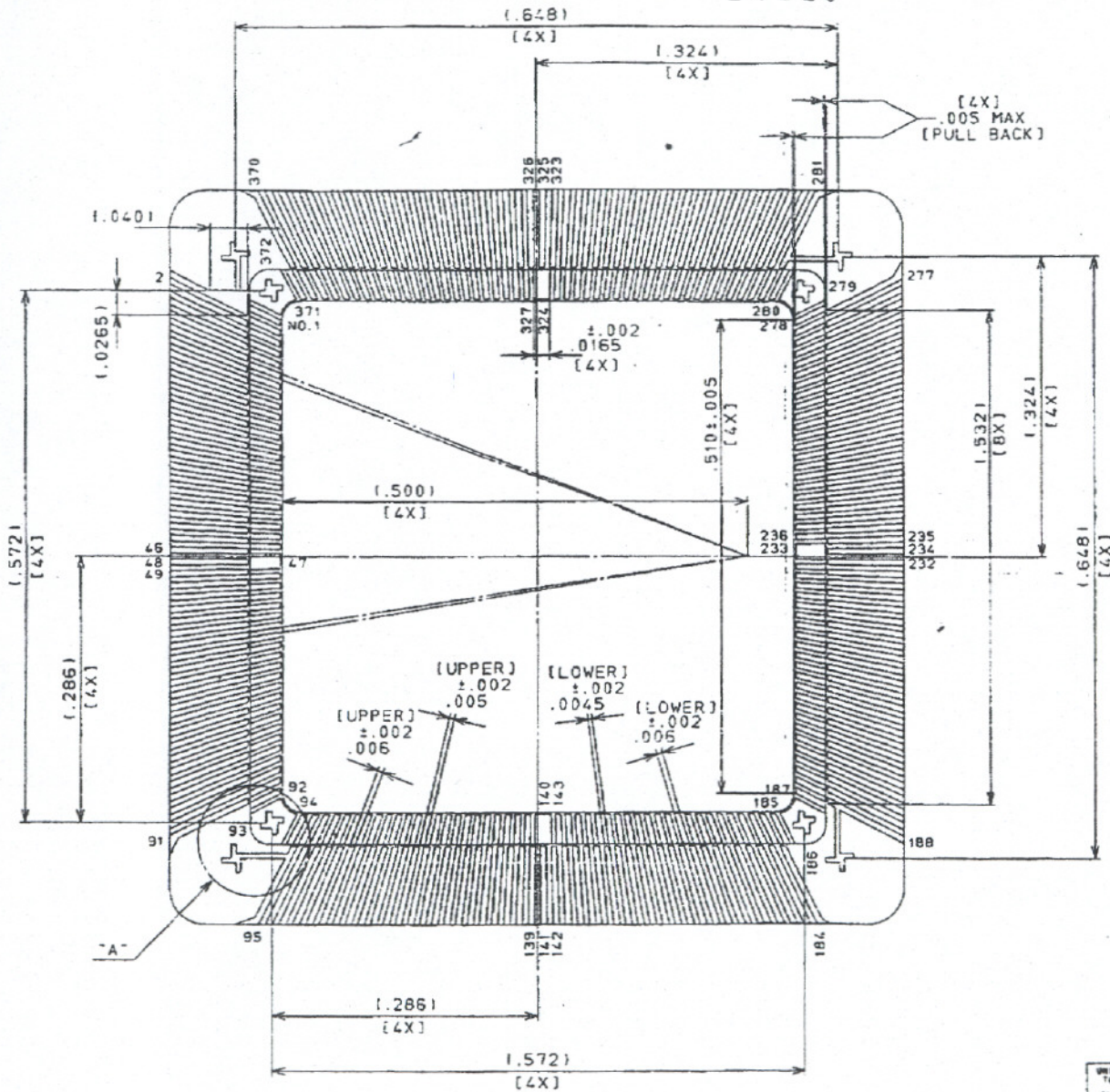
MODIFIED DWG NO. IMKZ4F1-4703A

NTK

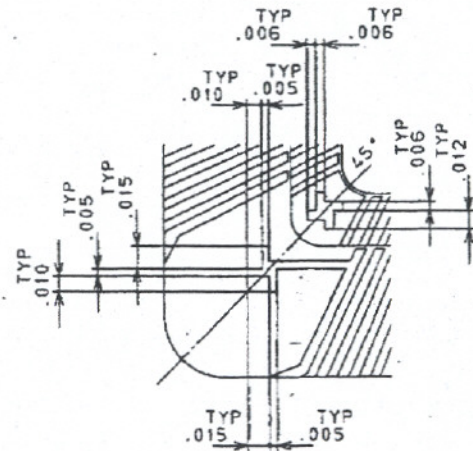
TECHNICAL CERAMICS

LATEST REVISION'S DESCRIPTION

A CHG SHEET 2 OF 4



[4X]
.005 MAX
[PULL BACK]



MODIFIED DWG No. 1MKZ4F1-4703A

TOOLED

UNLESS OTHERWISE SPECIFIED
TOLERANCES: ± 1%
N. L. T. & DECIMALS .XX ± .01
DECIMALS .XXX ± .005

Drawn H. WASHIMOTO
Checked [Signature]
Approved [Signature]
UNIT: INCH
SCALE: 12/1

NTK TECHNICAL CERAMICS
NGK SPARK PLUG CO., LTD
TITLE: B/G PADS DETAIL
DWG NO.: 1MKZ4F1-4740A
SIZE: A-2 (C)

Rev.	Description	Date
A	RE DRAWING	MAR-23-1993
•	NEW DRAWING	NOV-05-1992

340 LDCC INTERCONNECTION TABLE

B/F	LEAD	B/F	LEAD	B/F	LEAD	B/F	LEAD	B/F	LEAD	B/F	LEAD	B/F	LEAD	B/F	LEAD	B/F	LEAD
1	VDD	51	48	101	93	151	138	201	183	251	232	301	275	351	322		
2	VSSC	52	49	102	VDD	152	139	202	184	252	233	302	VDD	352	323		
3	3	53	50	103	94	153	140	203	185	253	234	303	276	353	324		
4	4	54	VSSC	104	VSS	154	143	204	186	254	VSS	304	VSS	354	325		
5	5	55	51	105	95	155	144	205	187	255	235	305	277	355	326		
6	6	56	VDDC	106	96	156	145	206	188	256	VDD	306	278	356	327		
7	7	57	52	107	97	157	146	207	189	257	236	307	279	357	328		
8	8	58	53	108	98	158	147	208	190	258	237	308	280	358	329		
9	VDD	59	54	109	99	159	148	209	VDD	259	238	309	281	359	330		
10	9	60	55	110	100	160	149	210	191	260	239	310	282	360	331		
11	VSS	61	58	111	101	161	VSS	211	VSS	261	240	311	283	361	VSS		
12	10	62	59	112	102	162	150	212	192	262	241	312	286	362	332		
13	11	63	60	113	103	163	VDD	213	193	263	242	313	287	363	VDD		
14	12	64	61	114	104	164	151	214	194	264	243	314	288	364	333		
15	13	65	62	115	105	165	152	215	195	265	244	315	289	365	334		
16	14	66	63	116	VDD	166	153	216	196	266	245	316	290	366	335		
17	15	67	64	117	106	167	154	217	197	267	246	317	291	367	336		
18	16	68	VSS	118	VSS	168	155	218	198	268	VSS	318	292	368	337		
19	17	69	65	119	107	169	156	219	201	269	247	319	293	369	338		
20	18	70	VDD	120	108	170	157	220	202	270	VDD	320	VDD	370	VDDC		
21	19	71	66	121	109	171	158	221	203	271	248	321	294	371	VDD		
22	20	72	67	122	110	172	159	222	204	272	249	322	VSS	372	VSS		
23	VDD	73	68	123	111	173	160	223	VDDC	273	250	323	295				
24	21	74	69	124	112	174	161	224	205	274	251	324	VSSC				
25	VSS	75	70	125	113	175	VSS	225	VSSC	275	252	325	296				
26	22	76	71	126	116	176	162	226	206	276	253	326	300				
27	23	77	72	127	117	177	VDD	227	207	277	VDDC	327	VDDC				
28	24	78	73	128	118	178	163	228	208	278	VDD	328	301				
29	25	79	74	129	119	179	164	229	209	279	VSS	329	VDD				
30	26	80	75	130	120	180	165	230	210	280	VDD	330	302				
31	27	81	76	131	121	181	166	231	VDD	281	VSSC	331	VSS				
32	28	82	VSS	132	122	182	167	232	211	282	258	332	303				
33	31	83	77	133	123	183	168	233	VSS	283	259	333	304				
34	32	84	VDD	134	VDD	184	VDDC	234	215	284	260	334	305				
35	33	85	78	135	124	185	VDD	235	216	285	261	335	306				
36	34	86	79	136	VSS	186	VSS	236	217	286	262	336	307				
37	VDDC	87	80	137	125	187	VDD	237	218	287	263	337	308				
38	35	88	81	138	VDDC	188	VSSC	238	219	288	VDD	338	309				
39	VSSC	89	82	139	126	189	173	239	220	289	264	339	310				
40	36	90	83	140	VSSC	190	174	240	VSSC	290	VSS	340	313				
41	37	91	VDDC	141	130	191	175	241	221	291	265	341	314				
42	38	92	VDD	142	131	192	176	242	VDDC	292	266	342	315				
43	39	93	VSS	143	VDD	193	177	243	222	293	267	343	316				
44	40	94	VDD	144	132	194	178	244	223	294	268	344	317				
45	VDD	95	VSSC	145	VSS	195	VDD	245	224	295	269	345	318				
46	41	96	88	146	133	196	179	246	225	296	270	346	319				
47	VSS	97	89	147	134	197	VSS	247	226	297	271	347	VSS				
48	45	98	90	148	135	198	180	248	229	298	272	348	320				
49	46	99	91	149	136	199	181	249	230	299	273	349	VDD				
50	47	100	92	150	137	200	182	250	231	300	274	350	321				

PAD	LEAD
VSS	1,42,44,57,85,86,127,129,142,170,171 212,214,227,255,256,297,299,312,340
VSSC	29,114,199,284
VDD	2,43,56,84,87,128,141,169,172,213 226,254,257,298,311,339
VDDC	30,115,200,285

TOOLED

A	REDRAWING	MAR-23-1993
0	NEW DRAWING	NOV-05-1992
Rev.	DESCRIPTION	DATE

UNLESS OTHERWISE SPECIFIED
TOLERANCES: ± 1%

N. L. T. 3 DECIMALS XX 1.01
3 DECIMALS, XX 1.005

CUSTOMER

DRAWN H. HASHIMOTO
CHECKED
APPROVED

UNIT INCH
SCALE

NTK TECHNICAL CERAMICS
NOK SPARK PLUG CO., LTD

TITLE
CONNECTION TABLE

FIG. NO.
IMKZ4F1-4740A

SIZE
A-2
(10)

MODIFIED DWS NO. IMKZ4F1-4703A