

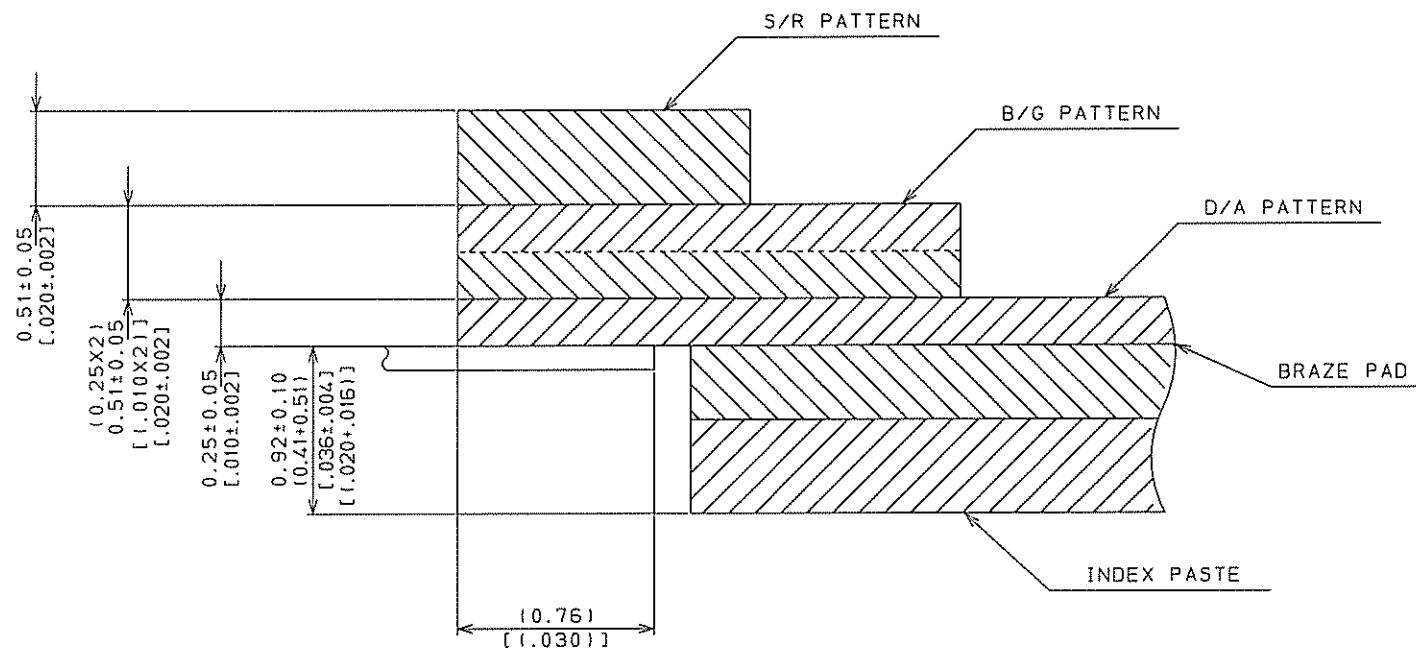
A ADDED DIMENSION OF PACKAGE THICKNESS.  
 DELETED NOTE: 5. INTK SPEC)  
 CORRECTED CUSTOMER DWG NO.  
 DELETED CUSTOMER DWG NO.  
 CORRECTED MATERIAL NAME OF CERAMIC.

- NOTES: 1. GOLD PLATE 1.5 μm [60 μ INCHES] MIN OVER 2.0 μm [80 μ INCHES] MIN NICKEL.
2. NO LEAD TO BE ELECTRICALLY CONNECTED TO THE DIE ATTACH PAD. SEAL RING ISOLATED.
3. LEAD RESISTANCE : 400 mΩ MAX
4. PLATING CONTACT MARK TO BE φ0.25 [φ.010] MAX ON S/R & D/A AREA.

3	LEAD	KOVAR		A	RE DRAWING	JUN-23-2017
2	CERAMIC	BLACK ALUMINA		φ	NEW DRAWING	JUN-08-2017
Item	Name	Material	Description	Rev.	Description	Date
UNLESS OTHERWISE SPECIFIED TOLERANCES: ± 1%			DRAWN H. FUJII	NTK CERAMIC Co., Ltd.		
N. L. T. 1 DECIMALS X.X ± 0.25 2 DECIMALS X.XX ± 0.13			CHECKED T. MIZUTANI	TITLE		
CUSTOMER CHELSEA TECHNOLOGY			APPROVED T. MIZUTANI	56 LEAD FLAT PKG		
DWG NO.			UNIT MM [INCH]	DRG NO.		
			SCALE	IMK56F1-8332A		

MODIFIED DWG NO.

A SEE SHEET 1 OF 3.



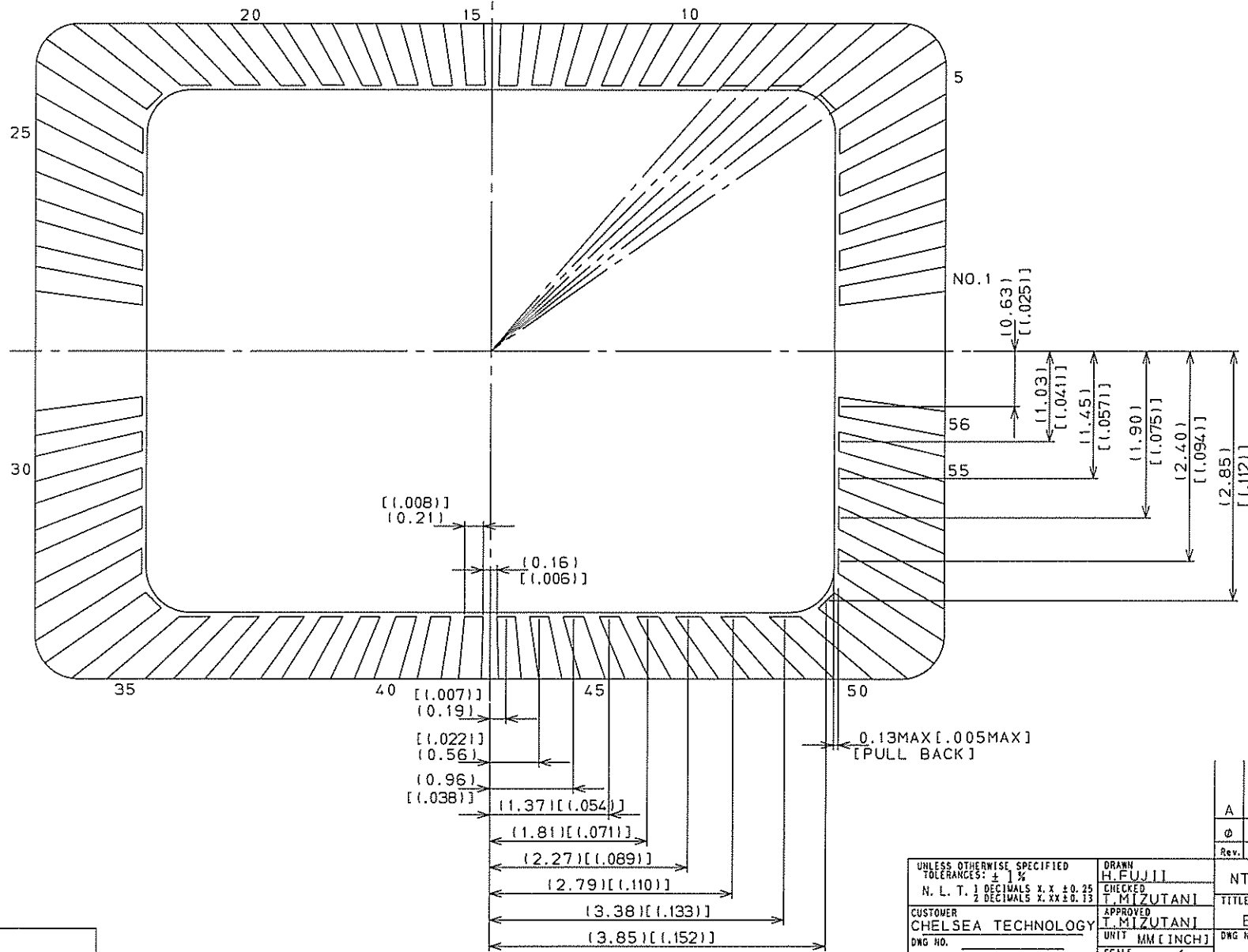
PACKAGE LAY-UP

A	RE DRAWING	JUN-23 -2017
φ	NEW DRAWING	JUN-08 -2017
Rev.	Description	Date

UNLESS OTHERWISE SPECIFIED TOLERANCES: ± 1% N. L. T. 1 DECIMALS X.X ± 0.25 2 DECIMALS X.XX ± 0.13		DRAWN <b>H. FUJII</b> CHECKED <b>T. MIZUTANI</b> APPROVED <b>T. MIZUTANI</b>	NTK CERAMIC Co., Ltd. TITLE <b>PACKAGE LAY-UP</b>
CUSTOMER <b>CHELSEA TECHNOLOGY</b> DNG NO. _____	UNIT MM [ INCH ] SCALE /	DNG NO. <b>IMK56F1-8332A</b>	

MODIFIED DWG NO. \_\_\_\_\_

A SEE SHEET 1 OF 3.



UNLESS OTHERWISE SPECIFIED TOLERANCES: ± 1%		DRAWN H. FUJII	NTK CERAMIC Co., Ltd.
N. L. T. 1 DECIMALS X.X ± 0.25 2 DECIMALS X.XX ± 0.13		CHECKED T. MIZUTANI	
CUSTOMER CHELSEA TECHNOLOGY		APPROVED T. MIZUTANI	TITLE B/G PAD DETAIL
DWG NO. _____		UNIT MM [INCH]	DWG NO. IMK56F1-8332A
		SCALE /	

Rev.	Description	Date
A	RE DRAWING	JUN-23-2017
φ	NEW DRAWING	JUN-08-2017

MODIFIED DWG NO. \_\_\_\_\_