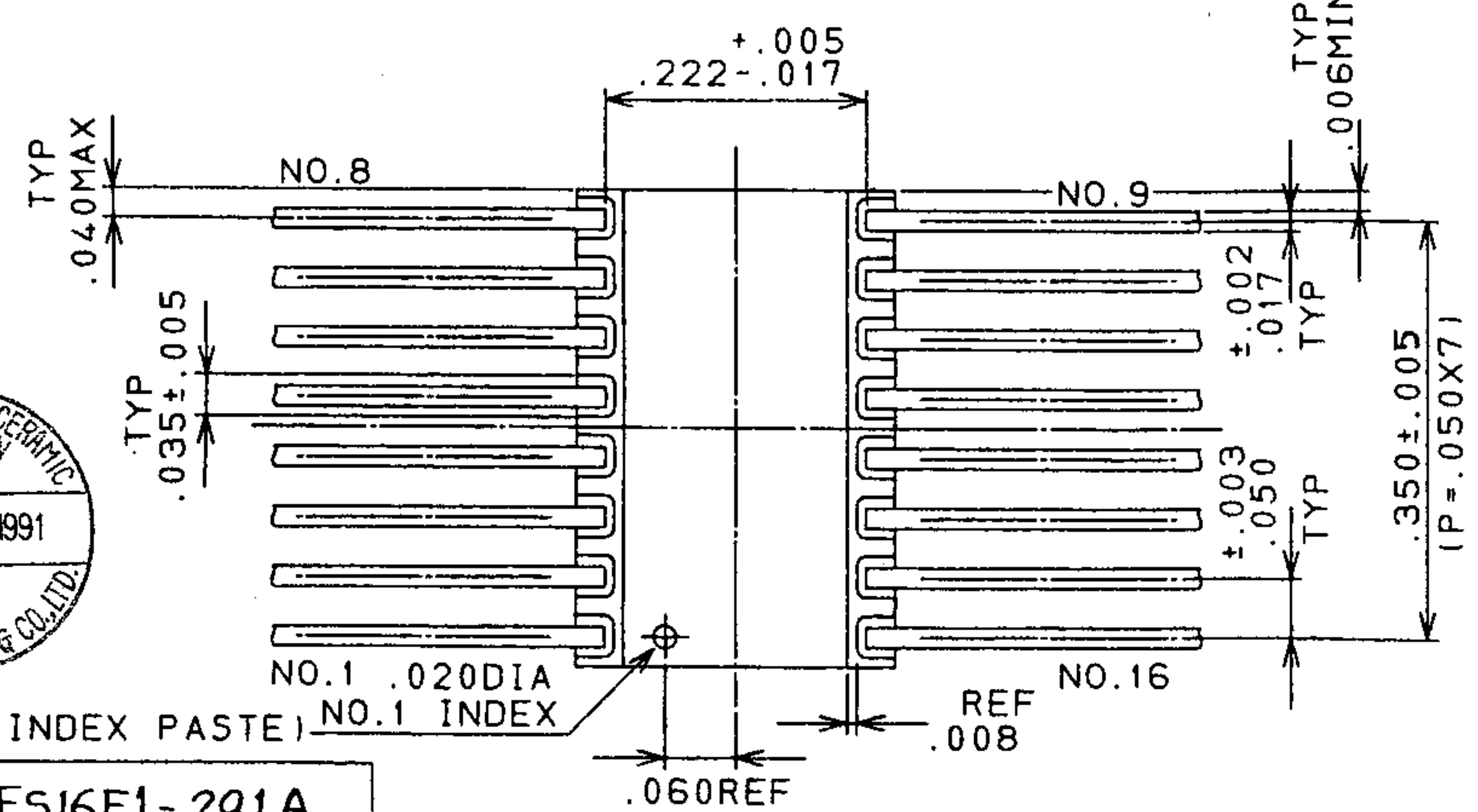
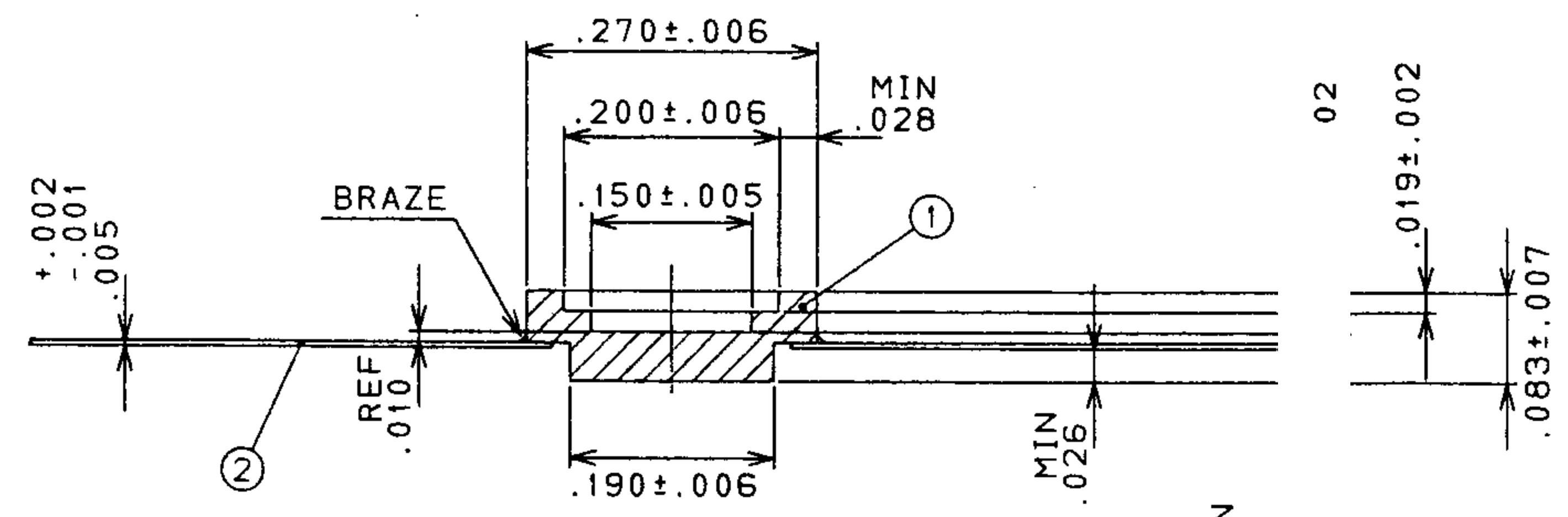
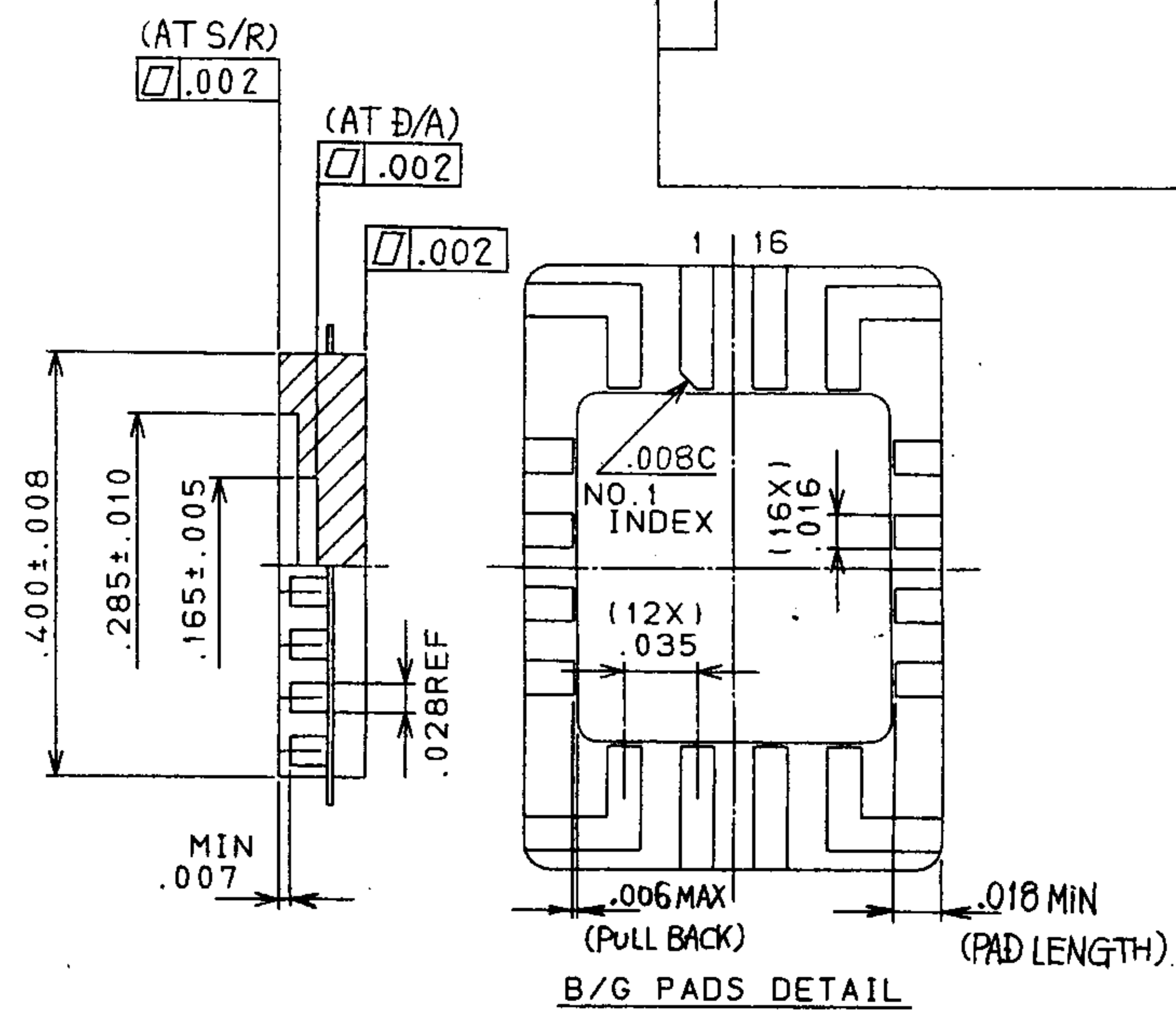
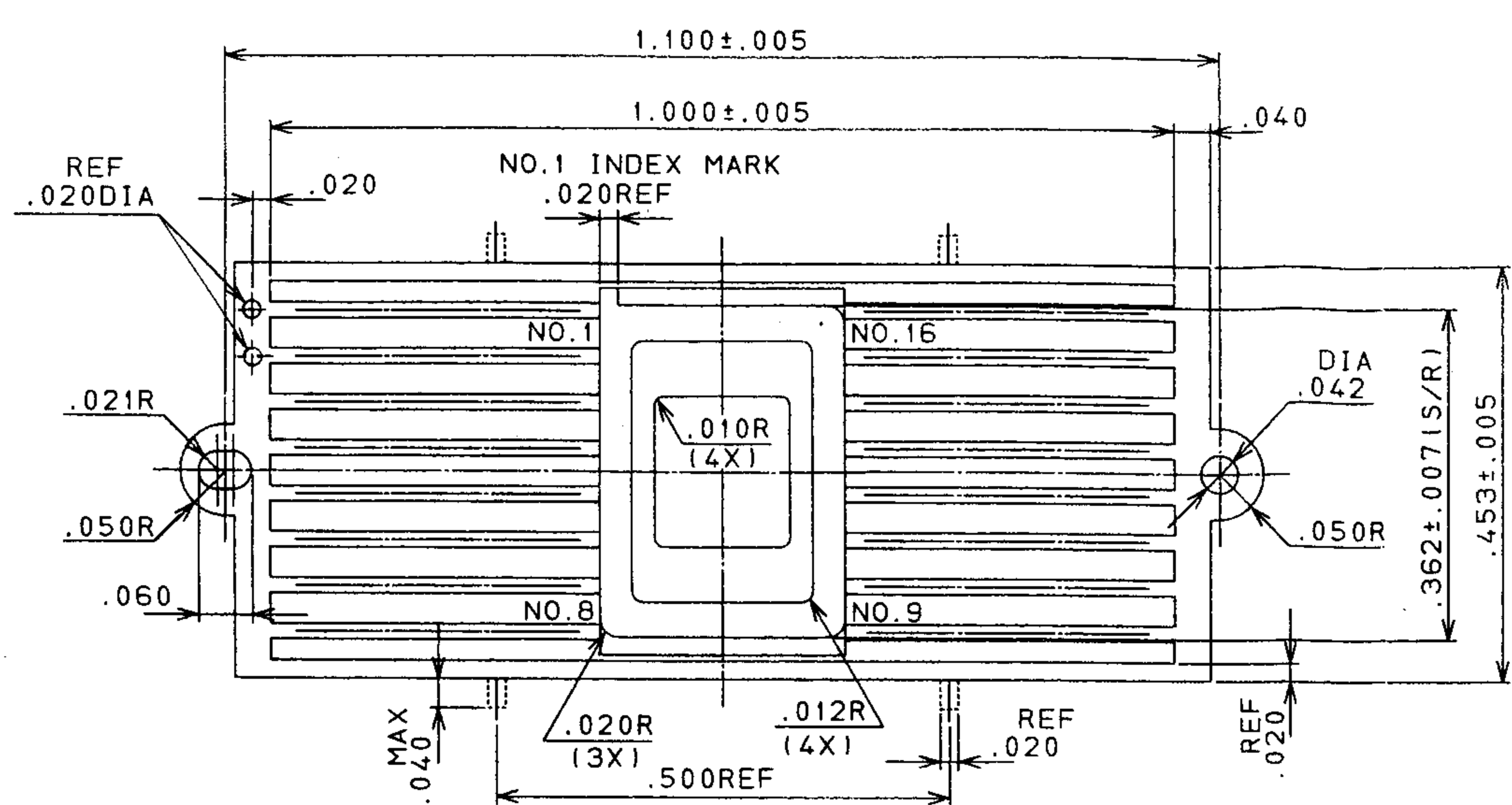


NTK

TECHNICAL CERAMICS

LATEST REVISION'S DISCRPTION



- NOTES:
1. GOLD PLATE 60μ INCHES MIN OVER 80μ INCHES MIN NICKEL.
 2. NO LEAD TO BE ELECTRICALLY CONNECTED TO THE DIA ATTACH PAD. SEAL RING ISOLATED.



3					
2	LEAD	ALLOY42			
1	CERAMIC	WHITE ALUMINA			
Item	Name	Material	Description	Rev.	Description
UNLESS OTHERWISE SPECIFIED			DRAWN		NTK TECHNICAL CERAMICS NGK SPARK PLUG CO., LTD
TOLERANCES: ± 1%			H.HASHIMOTO		
N. L. T. 2 DECIMALS .XX ±.01			CHECKED		TITLE
3 DECIMALS .XXX ±.005					16 LEAD FLAT PKG
CUSTOMER			APPROVED		DWG NO.
CHELSEA TECHNOLOGY					INCH
DWG NO.			SCALE		SIZE
P/N:P16FP150R					A-2 (C)
				φ	NEW DRAWING
					SEP-3-1991

MODIFIED DWG No. IF516F1-291A