

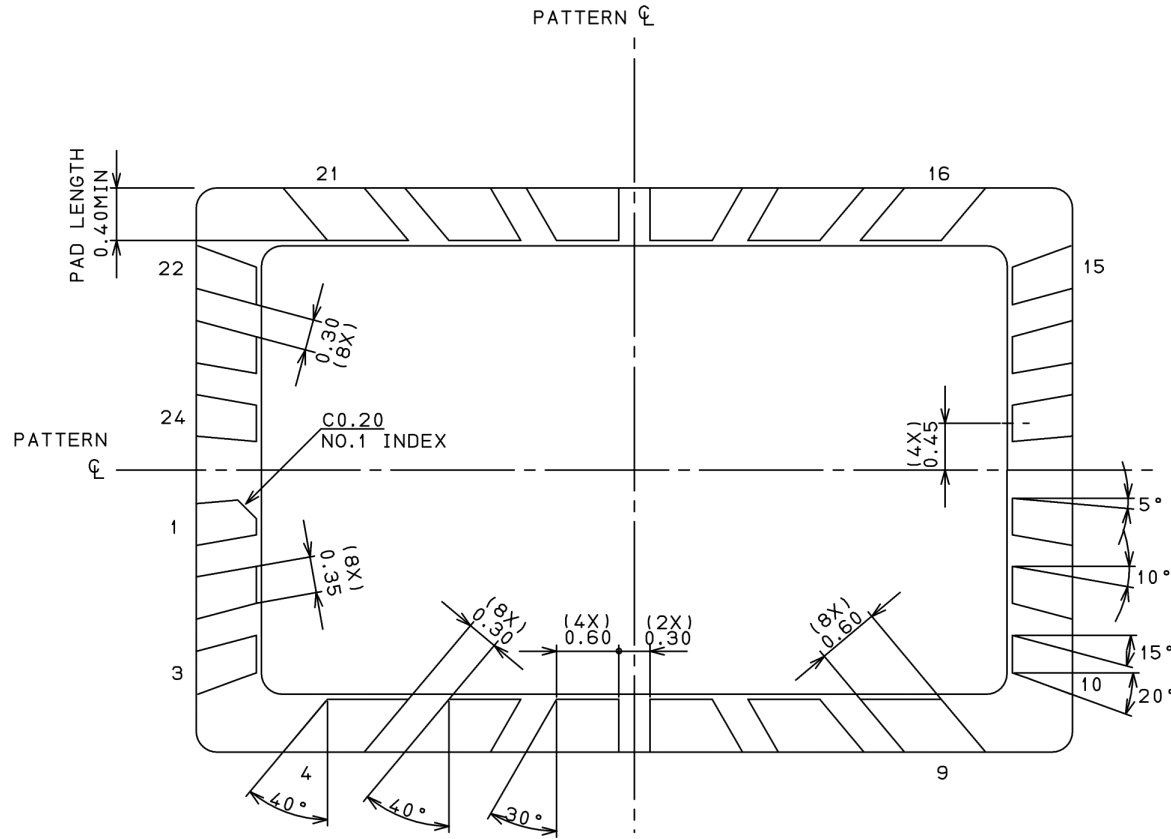
REV.	DATE	DESCRIPTION

- NOTES:
- GOLD PLATE 1.5μm MIN OVER 2.0μm MIN NICKEL. EXCEPT CUTTING SURFACE OF LEAD.
 - S/R & D/A TO BE FLOATING FROM ANY LEADS.
 - PLATING STRIP TO BE BROKEN AFTER PLATING. S/R BURRS 0.1MAX.
 - UNLESS OTHERWISE SPECIFIED TOLERANCES: ±0.13.
 - NTK SPEC YS-1026 SHALL APPLY.

Item	Name	Material	Description	Rev.	Description	Date
③	LEAD	ALLOY42				
②	CERAMIC	BLACK ALUMINA				
UNLESS OTHERWISE SPECIFIED TOLERANCES: ±0.13			DRAWN	C. MATSUURA	NTK	
N. L. T. 1 DECIMALS Y, X ±0.25 2 DECIMALS Z, XX ±0.13			CHECKED	Y. KACHI	TITLE	NGK SPARK PLUG CO., LTD.
CUSTOMER			APPROVED	S. NISHIMURA	TITLE	24 LEAD FLAT PKG
DWG NO.			UNIT	MM	DWG NO.	
			SCALE	/		IFK24F1-2451A-MO

NTK

LATEST REVISION'S DESCRIPTION



MODIFIED
DWG NO.

UNLESS OTHERWISE SPECIFIED
TOLERANCES: ± 0.10
N. L. T. 3 DECIMALS Y. X. ± 0.25
2 DECIMALS X. XX ± 0.13

DRAWN
C. MATSUURA
CHECKED
Y. KACHI
APPROVED
S. NISHIMURA
UNIT MM
SCALE /

Rev.	Description	Date
	NTK NGK SPARK PLUG CO., LTD. TITLE B/G PADS DETAIL DWG NO. IFK24F1-2451A-MO	

PART NO.

SHEET 2 OF 2