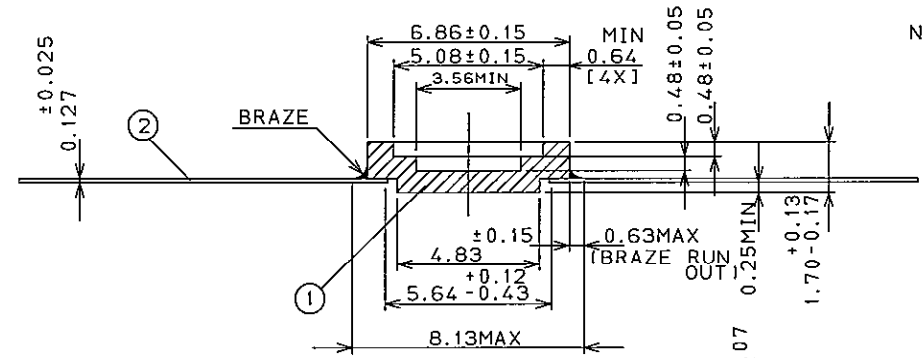
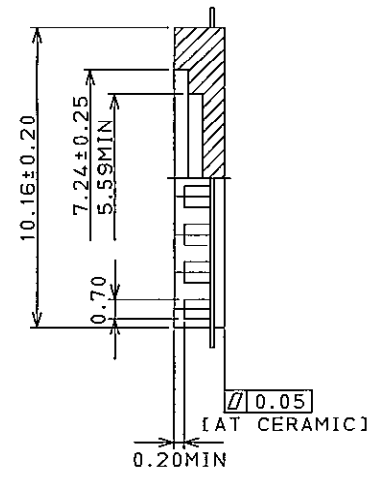
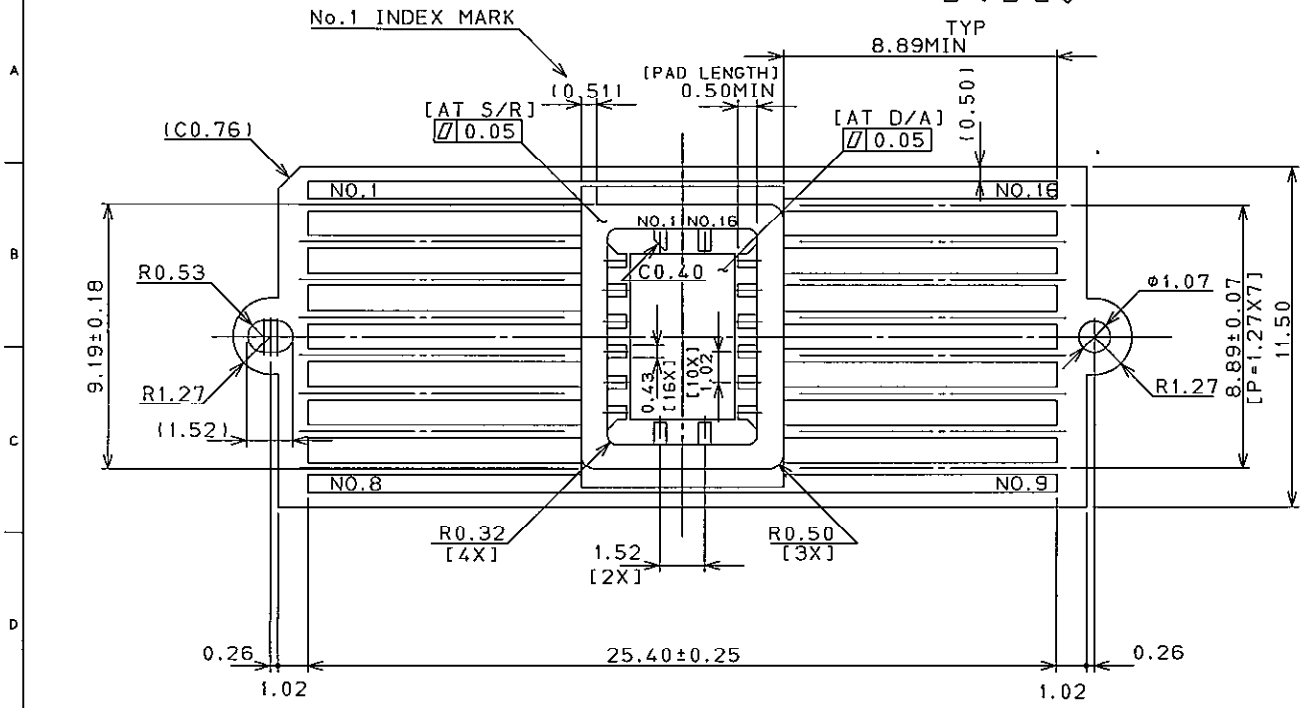
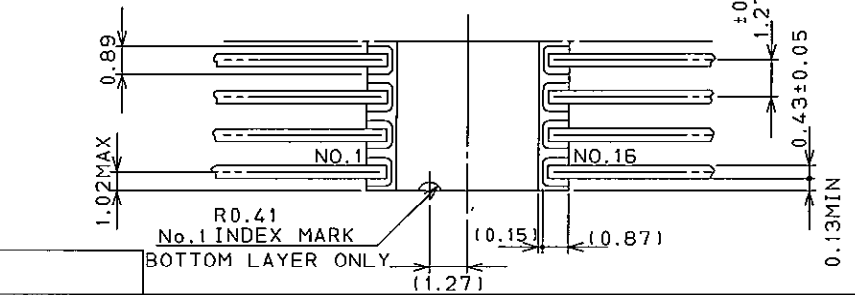


E	CHG. UNIT. CHG. LEAD DESIGN. CHG. CUSTOMER. CHG. NIK DWG NO. ADD NOTE:3,4. ADD FLATNESS.
---	---------------------------------------------------------------------------------------------------------



- NOTES: 1. GOLD PLATE 1.5μm MIN OVER 1.9~7.6μm NICKEL.
 2. NO LEAD TO BE ELECTRICALLY CONNECTED TO D/A PAD. SEAL RING ISOLATED.
 3. PLATING CONTACT MARK φ0.25MAX PERMISSIBLE ON S/R & D/A.
 4. NTK SPEC YS-1026 SHALL APPLY.



MODIFIED
DWG NO.

NO.1 INDEX MARK
BOTTOM LAYER ONLY

3				E	RE DRAWING	OCT-02
2	LEAD	ALLOY42		D	RE DRAWING	JUN-28
1	CERAMIC	BA-914		C	RE DRAWING	MAR-08
				B	RE DRAWING	SEP-22
				A	RE DRAWING	AUG-03
				φ	NEW DRAWING	JUL-24
						-1984
UNLESS OTHERWISE SPECIFIED TOLERANCES: ± 1% N. L. T. 1 DECIMALS X.X ±0.25 2 DECIMALS X.XX ±0.13			DRAWN K. MIZUKAMI CHECKED M. UNO	NTK NGK SPARK PLUG CO., LTD. TITLE		
CUSTOMER CHELSEA			APPROVED A. UCHIDA	16LEAD FLATPACKAGE		
DWG NO.			UNIT MM	DWG NO. IFK16F1-327C		
			SCALE /			