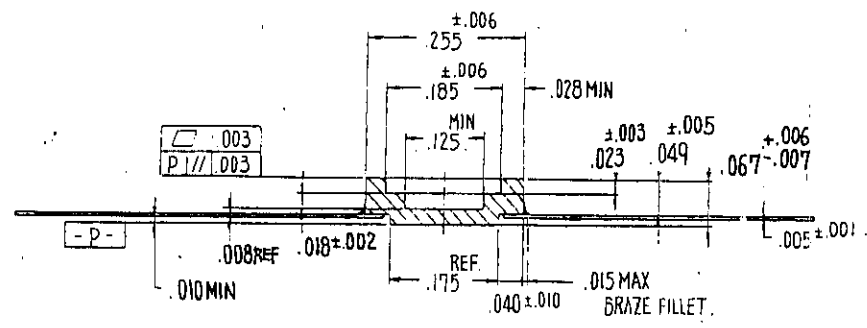
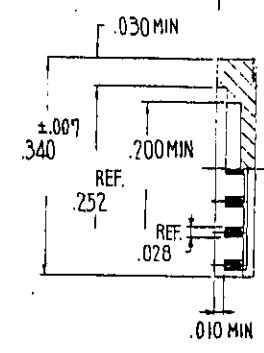
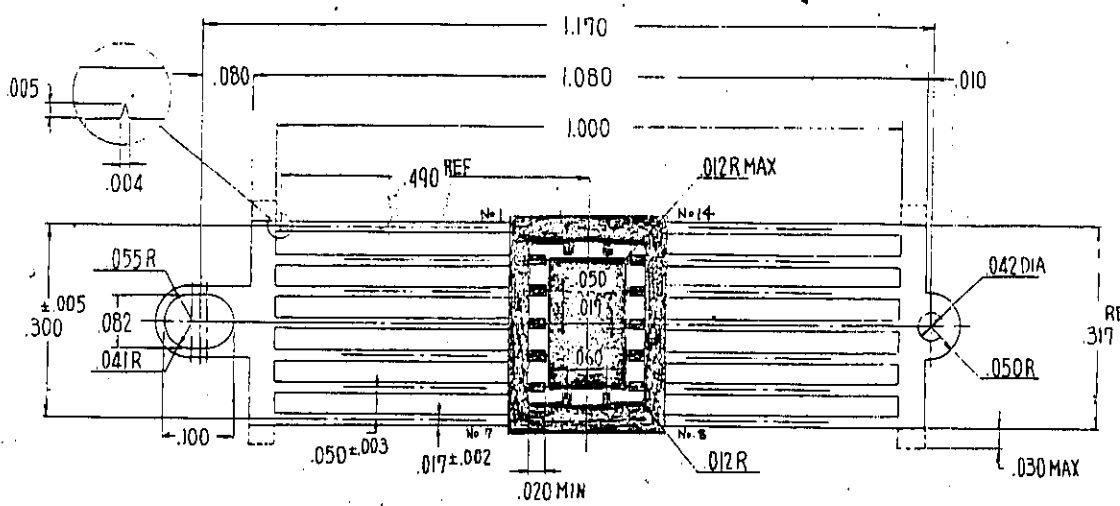


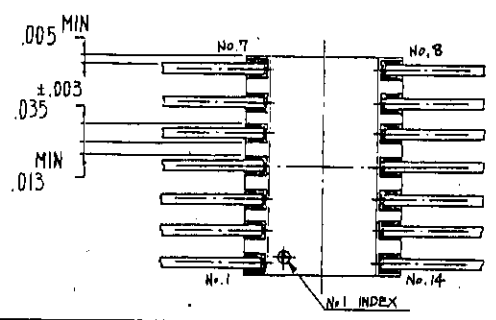
REVISIONS			
ISSUE	DESCRIPTION	DATE	DRAWN
0	NEW DRAWING	OCT-4-84	Tokai



- NOTES: 1. GOLD PLATE 60μ INCHES MIN OVER 80μ INCHES MIN NICKEL.  
 2. LEAD RESISTANCE: 100 mΩ MAX.  
 3. DIA PAD AND SEALING TO BE ELECTRICALLY ISOLATED FROM ANY LEADS.

**OPEN-TOOLED**

CUSTOMER:



UNLESS OTHERWISE SPECIFIED TOLERANCES	DRAWN J. Washino FEB-1-84	NGK SPARK PLUG CO., LTD NAGOYA JAPAN NTK TECHNICAL CERAMIC DIVISION	
±1% N.L.T ±.005	CHECKED	TITLE 14 LEAD FLAT PACKAGE.	
MATERIAL CERAMIC: BLACK ALUMINA LEAD: ALLOY 42.	APPROVED J. Gai	DWG. NO.	SCALE
	UNIT INCH	IFK14FI-117L	