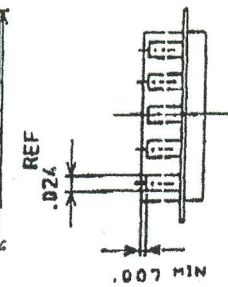
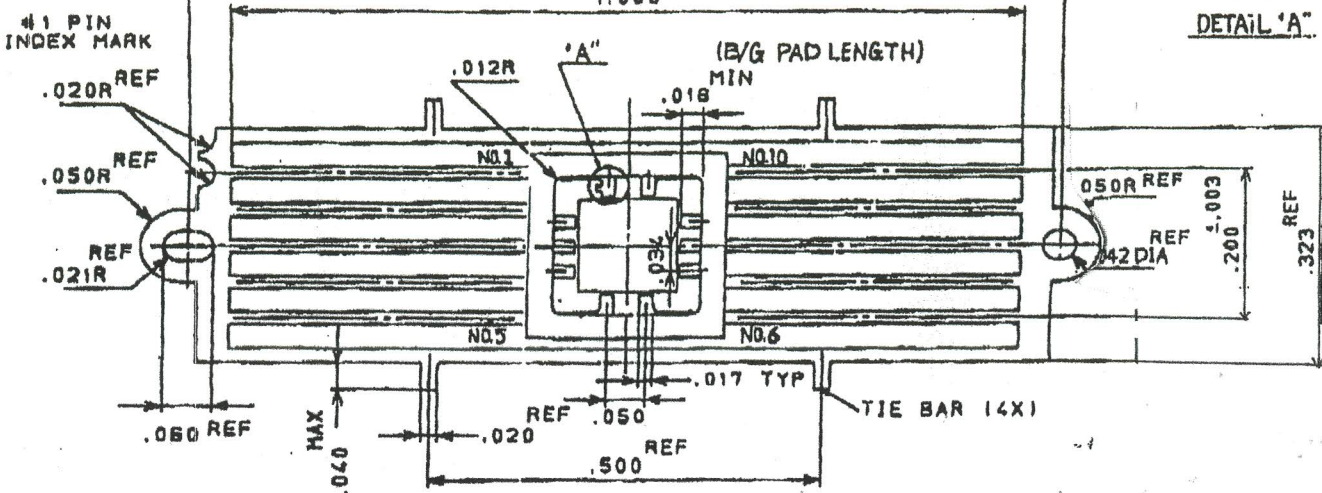


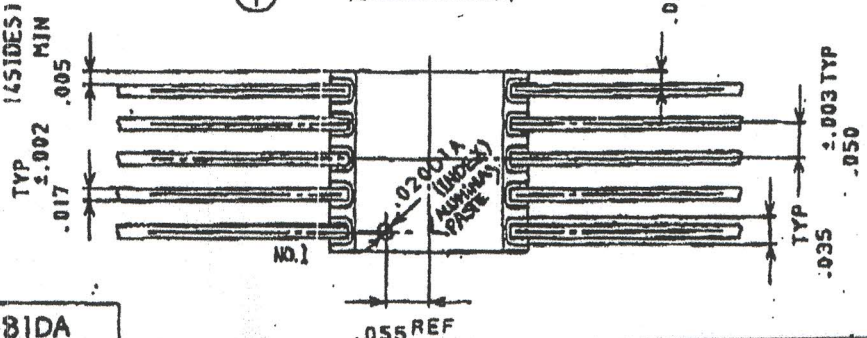
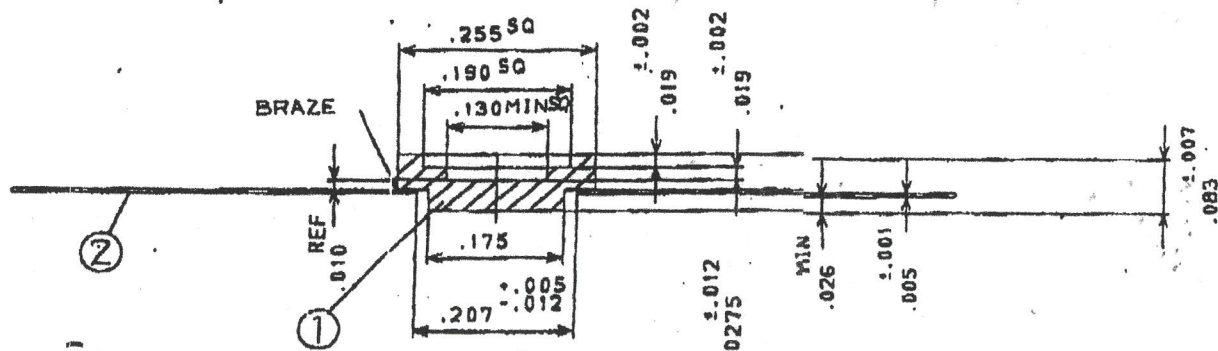
1.100



DETAIL 'A'



- NOTES: 1 GOLD PLATE 60 μ INCHES MIN OVER 100 μ INCHES MIN NICKEL.
 2 NO LEAD TO BE ELECTRICALLY CONNECTED TO THE DIE ATTACH PAD. SEAL RING ISOLATED.
 3 LEAD RESISTANCE 200mΩ MAX.



3						
2	LEAD	ALLOY 42			NEW DRAWING	OCT 3-'90
1	CERAMIC	BLACK ALUMINA				
Item	Desc	Material	Description	Qty.	Description	Date
MATERIALS IDENTIFIED			DRAWN	0010	NEW TECHNICAL CERAMIC	
TELEPHONE: 4 4 4			CHECKED	2 0214	NEW SPARK PLUG CO. LTD	
H. L. T. & SONS, INC. 1-91			APPROVED		TITLE	
			DATE		10 LEAD FLAT PKG	
			UNIT	INCH	REV.	1-1
			SCALE		IFK10F1-2084B	(5)

FILED No. IFK10F1-181DA