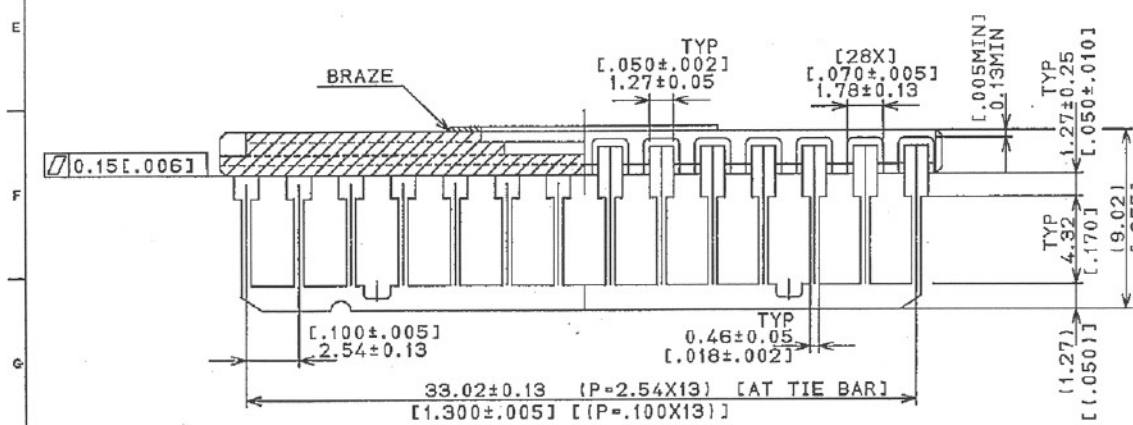
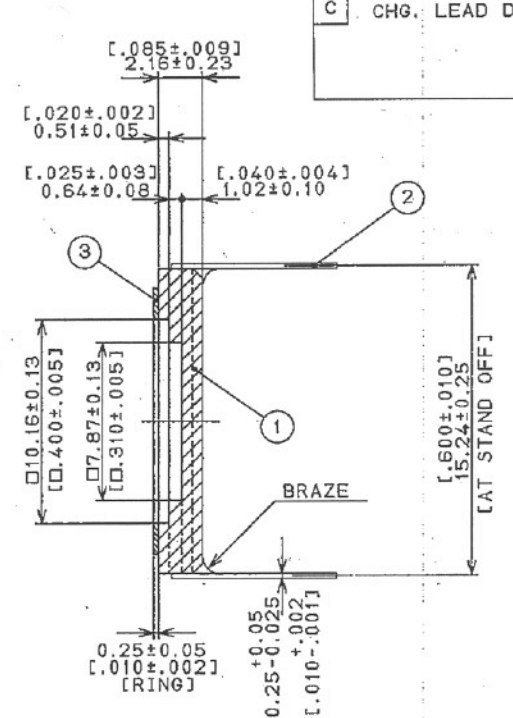
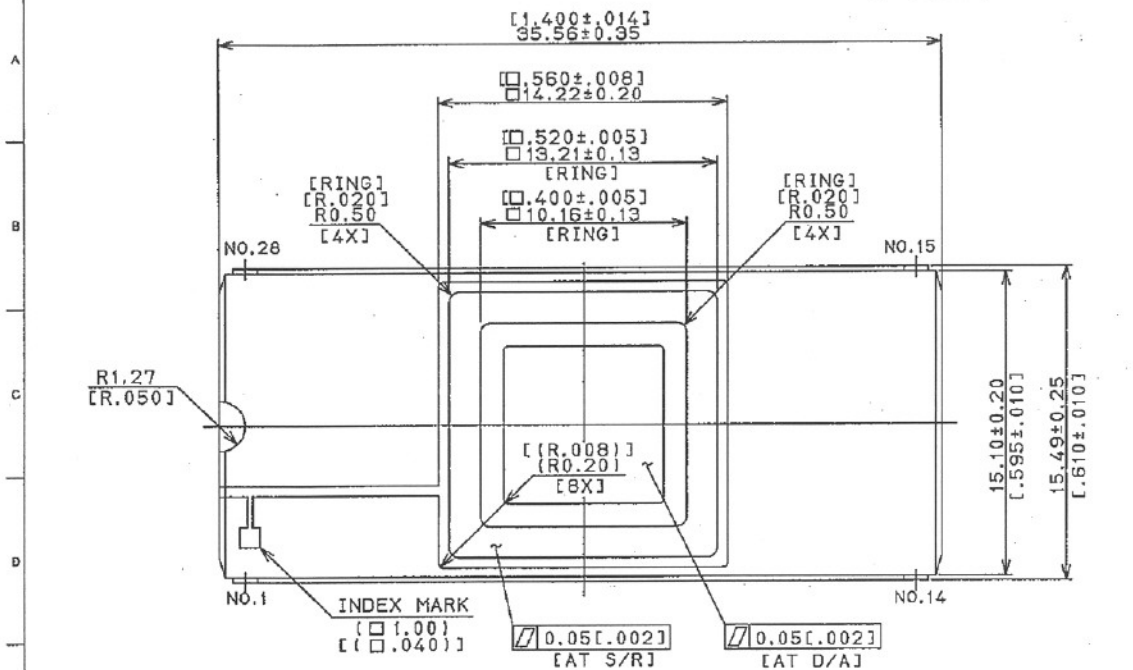


NTK

LATEST REVISION'S DESCRIPTION

C CHG. LEAD DESIGN.



- NOTES:
1. GOLD PLATE 1.5~5.7 μ m [60~225 μ INCHES] OVER 2.0~6.4 μ m [80~250 μ INCHES] NICKEL.
 2. NO LEAD TO BE ELECTRICALLY CONNECTED TO THE DIE ATTACH PAD. SEAL RING ISOLATED.
 3. NTK SPEC YS-1002 SHALL APPLY.

Rev.	Description	Rev.	Description	Date
3	RING	KOVAR		MAY-20-2005
2	LEAD	ALLOY42		MAY-02-2005
1	CERAMIC	BLACK ALUMINA		MAY-21-1999

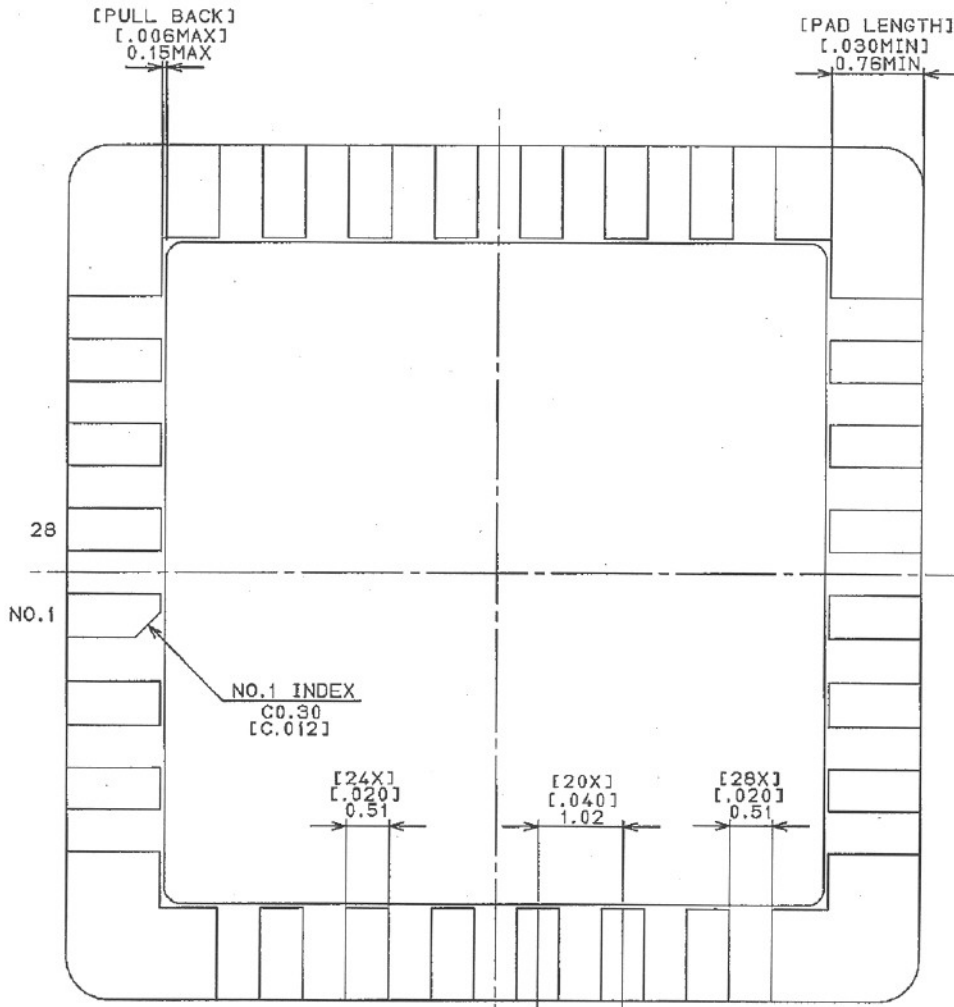
Rev.	Name	Material	Description	Rev.	Description	Date
	C. MATSUURA	NTK	NGK SPARK PLUG CO., LTD.			
	N. NAKAYAMA					
	T. NOMURA		28 LEAD S/B PKG			

MODIFIED DWG NO. IDK28F2-6095NAL

PART NO. SHEET 1 OF 2

NTK

LATEST REVISION'S DESCRIPTION	
C	SEE SHEET 1 OF 2.



B/G PADS DETAIL

Rev.	Description	Date
C	RE DRAWING	MAY-20-2005
B	RE DRAWING	MAY-02-2005
A	RE DRAWING	MAY-21-1991
φ	NEW DRAWING	MAR-15-1991

UNLESS OTHERWISE SPECIFIED TOLERANCES: ± 1%	DRAWN C. MATSUURA	NTK
N. L. T. 1/2 DECIMALS X, Y, Z ± 0.25 C. 1/2 DECIMALS X, Y, Z ± 0.13	CHECKED N. NAKAYAMA	NGK SPARK PLUG CO., LTD.
	APPROVED T. NOMURA	TITLE B/G PADS DETAIL
	UNIT MM (INCH)	DWG NO. IDK28F2-6095U
	SCALE /	

MODIFIED DWG NO.	IDK28F2-6095NAL
---------------------	-----------------