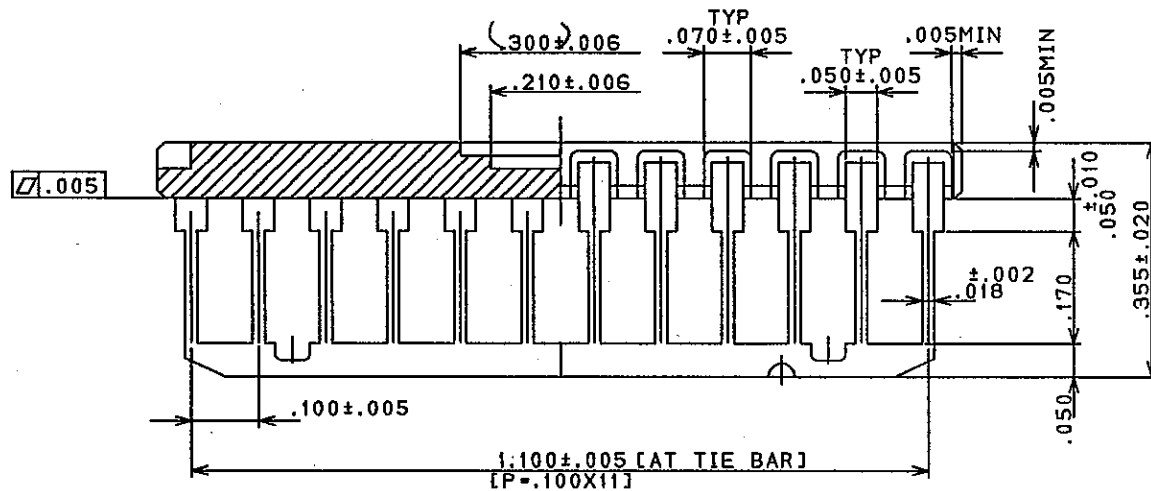
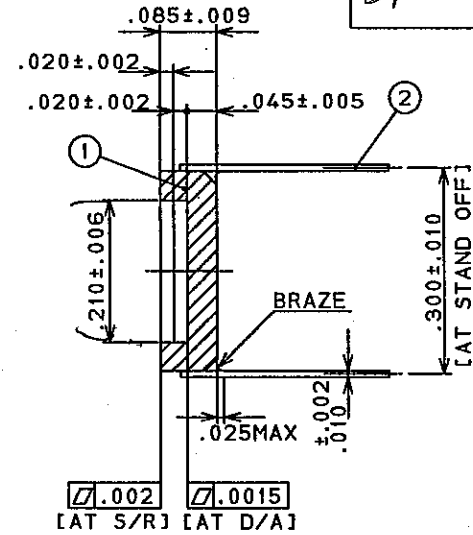
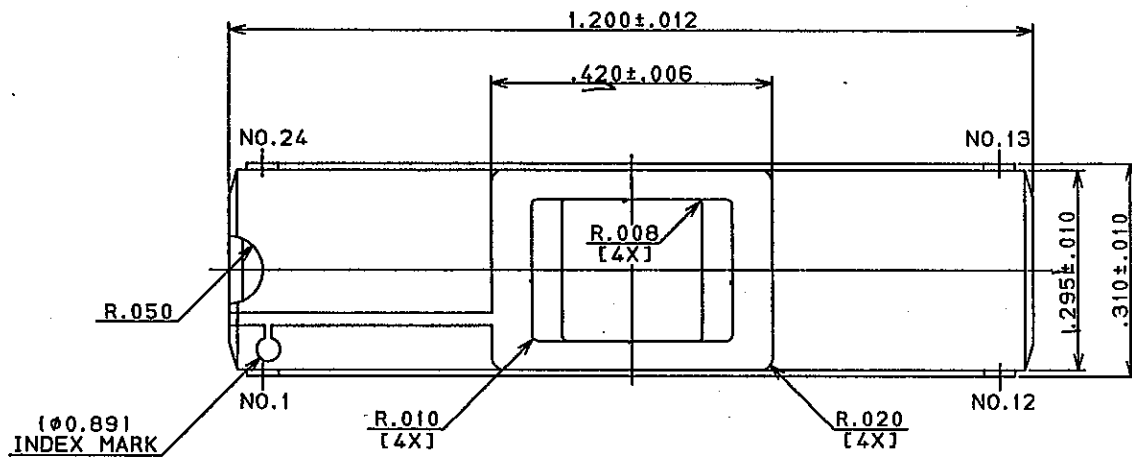


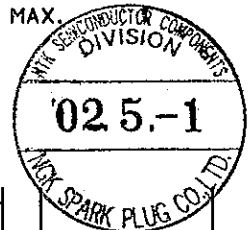
P0000181

34-2050B



NOTES:

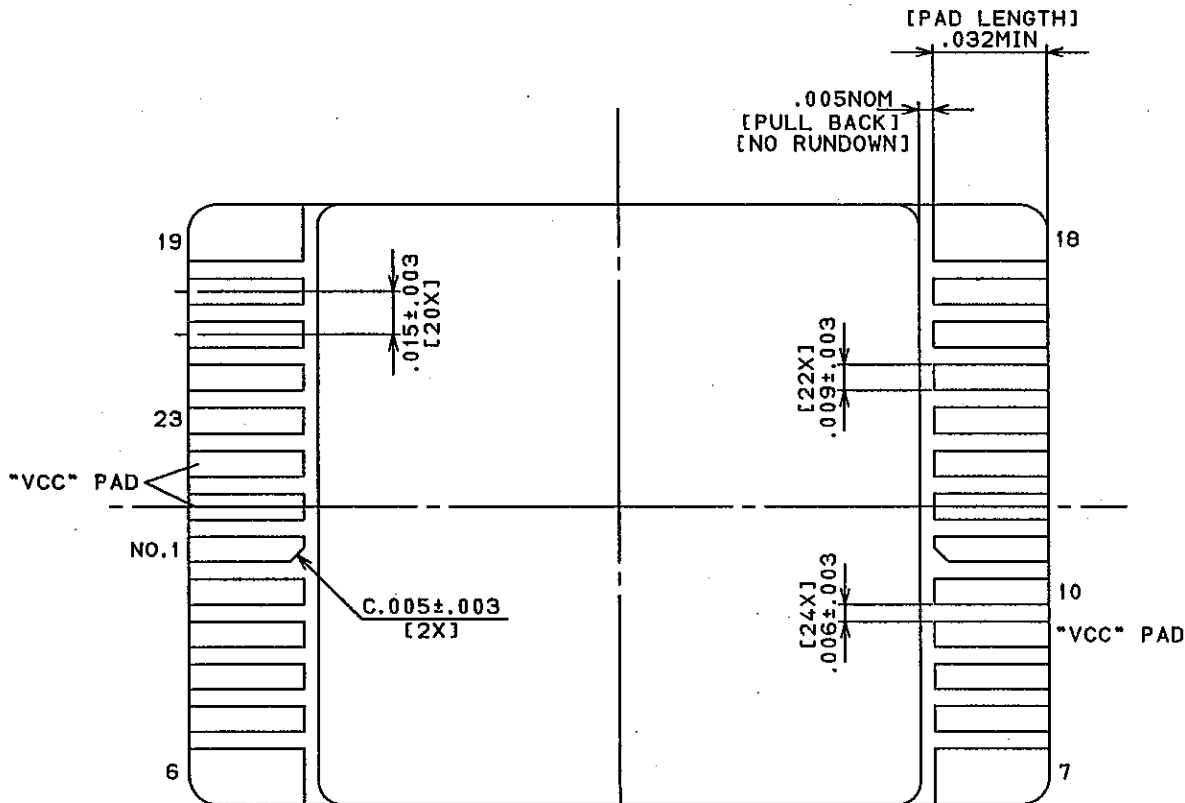
1. GOLD PLATE 100μ INCHES MIN OVER 80μ INCHES MIN NICKEL.
2. SEAL RING ISOLATED.
3. NOTCH TO BE ELECTRICALLY CONNECTED TO THE DIE ATTACH.
4. "VCC" PAD TO BE ELECTRICALLY CONNECTED TO THE LEAD NO.24.
5. LEAD RESISTANCE : 500mΩ MAX.



3					
2	LEAD	ALLOY42			
1	CERAMIC	BLACK ALUMINA			
UNLESS OTHERWISE SPECIFIED TOLERANCES: ± 1%			DRAWN	Y. SUZUKI	NTK TECHNICAL CERAMICS
N. L. T. 2 DECIMALS. XX ± .01 3 DECIMALS. XXX ± .005			CHECKED	S. MAEHARA	NGK SPARK PLUG CO., LTD.
CUSTOMER	AUSTIN SEMI	APPROVED	J. WASHINO	TITLE	24 LEAD S/B PACKAGE
DWG NO.	56C2561C	UNIT	INCH	DWG NO.	
		SCALE	/		

MODIFIED DWG NO.

9/8



B/G PADS DETAIL

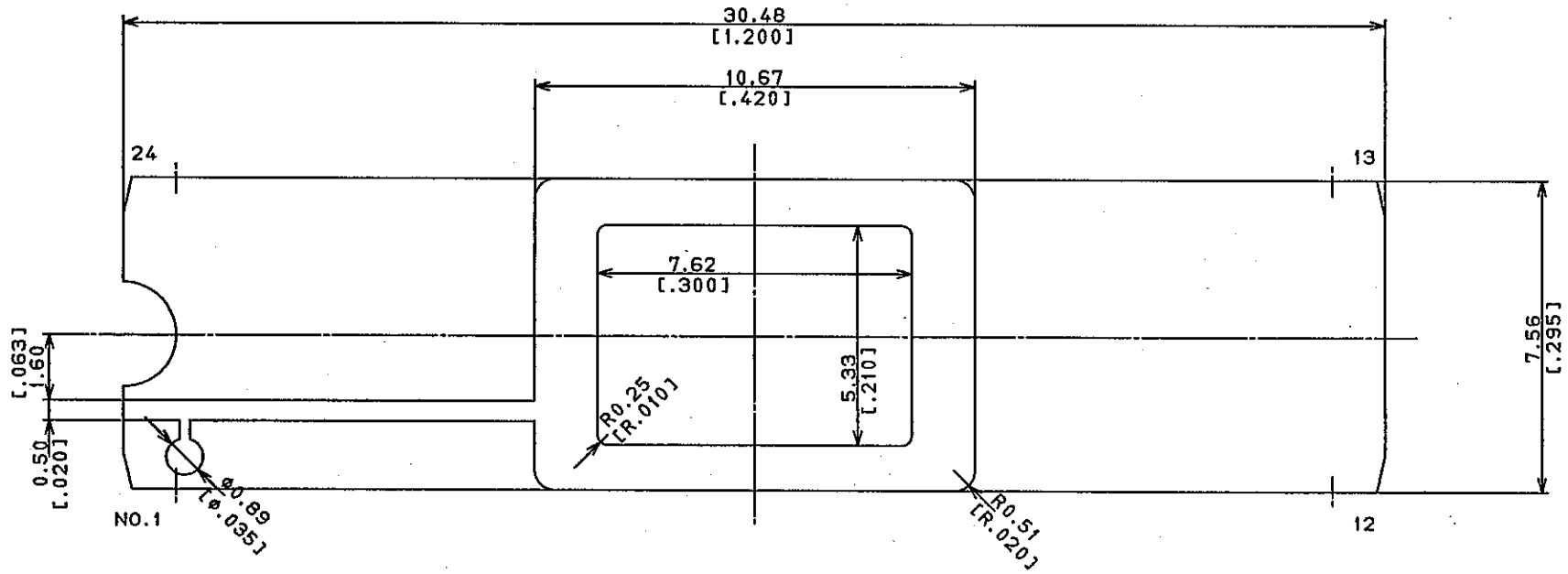


NEW DRAWING MAY-0-200

UNLESS OTHERWISE SPECIFIED TOLERANCES: ± 1% N. L. T. 2 DECIMALS. XX ± .01 3 DECIMALS. XXX ± .005		DRAWN Y. SUZUKI	NTK TECHNICAL CERAMIC NGK SPARK PLUG CO., LTD
CUSTOMER AUSTIN SEMI		CHECKED S. MAEHARA	TITLE B/G PADS DETAIL
DWG NO. 56C2561C	APPROVED J. WASHINO	UNIT INCH	DWG NO. 1DK24F1-6868A
	SCALE /		SIZE 7C

MODIFIED DWG NO.

5/5

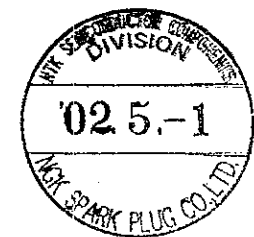
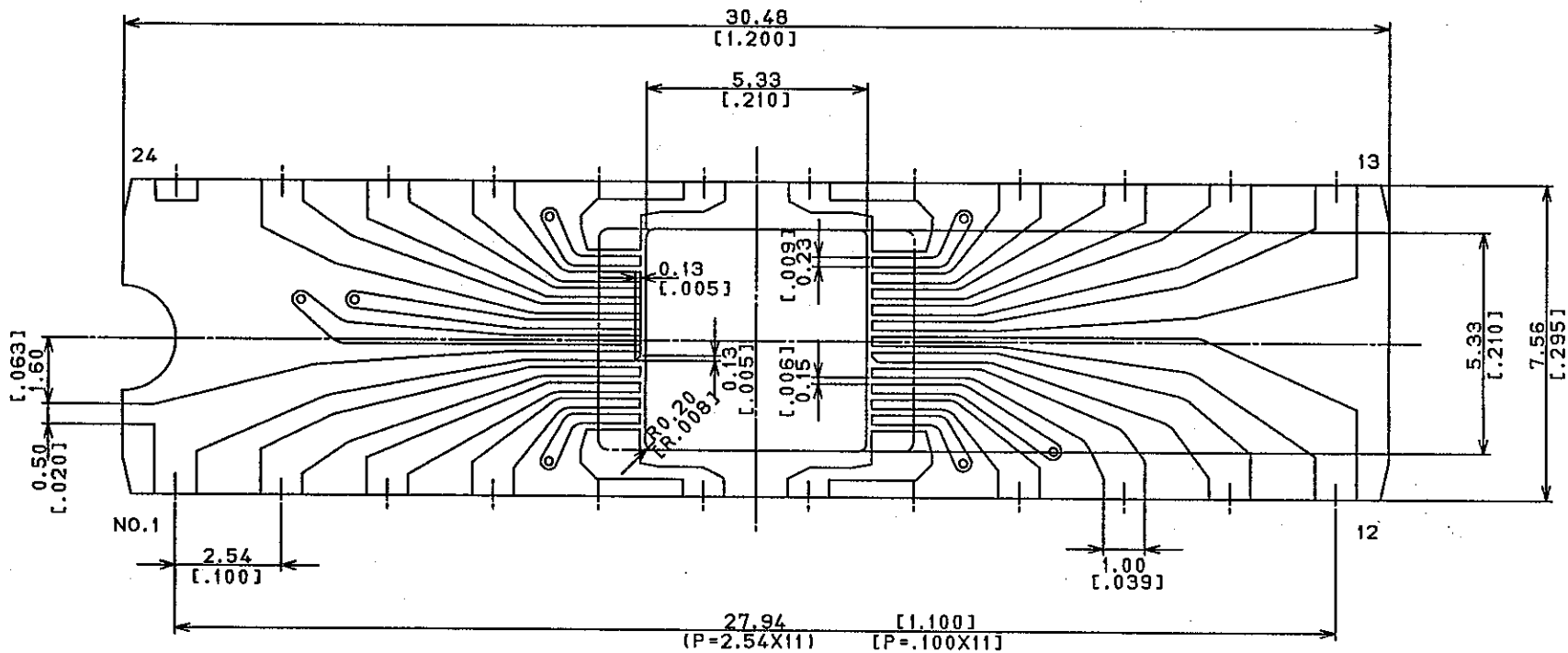


NEW DRAWING MAY-01-2002

DESCRIPTION	DRAWN	Y. SUZUKI	NTK TECHNICAL CERAMICS
FILE NAME	CHECKED	S. MAEHARA	NGK SPARK PLUG CO., LTD.
CUSTOMER	APPROVED	J. WASHINO	TITLE
DWG NO.	UNIT	MM [INCH]	S/R PATTERN
56C2561C	SCALE	/	DWG NO.
			P-IDK-6868A-4
			SIZE
			A3

MODIFIED DWG NO.

6/8

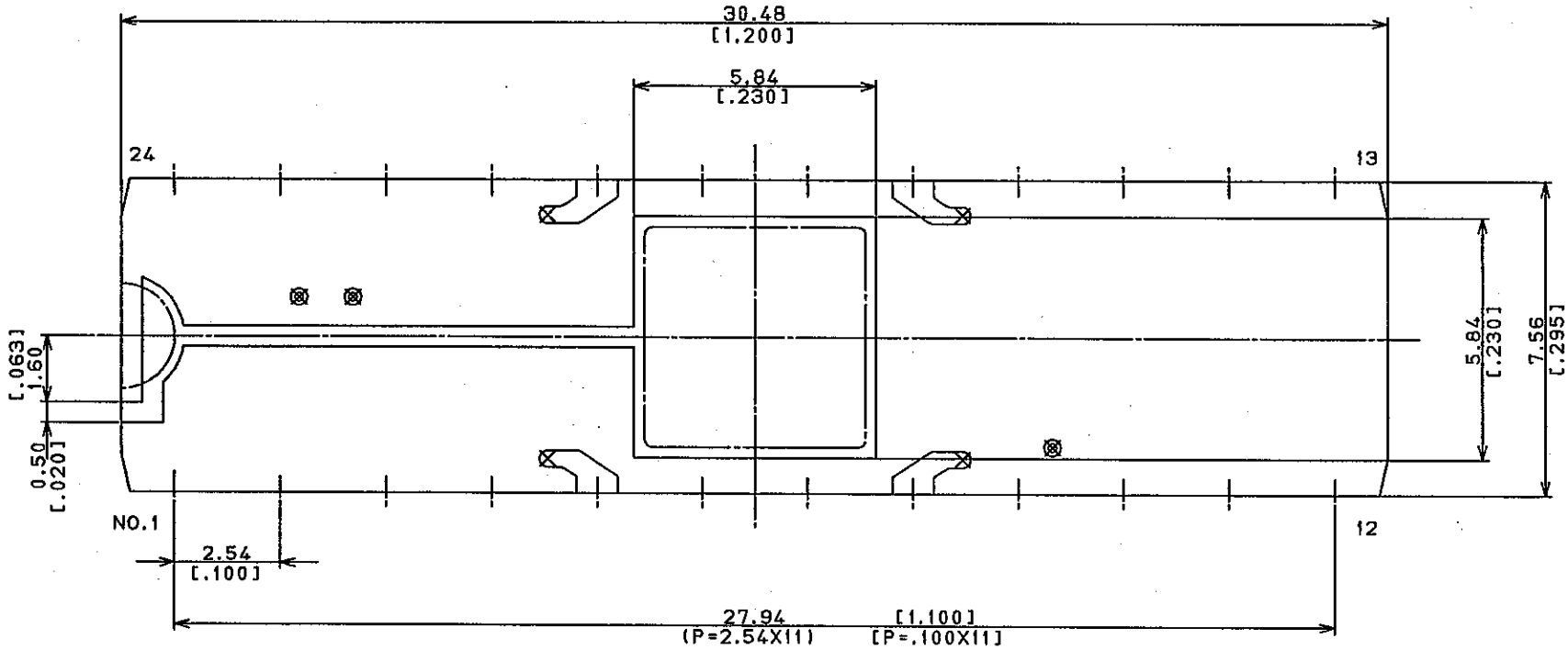


NEW DRAWING MAY-01-2002

DESCRIPTION	DRAWN Y. SUZUKI	NTK TECHNICAL CERAMICS
FILE NAME pd6868a	CHECKED S. MAEHARA	NGK SPARK PLUG CO., LTD.
CUSTOMER AUSTIN SEMI	APPROVED J. WASHINO	TITLE B/G PATTERN
DWG NO. 56C2561C	UNIT MM (INCH)	DWG NO.
	SCALE /	P-IDK-6868A-3

MODIFIED DWG NO.	
------------------	--

17/80

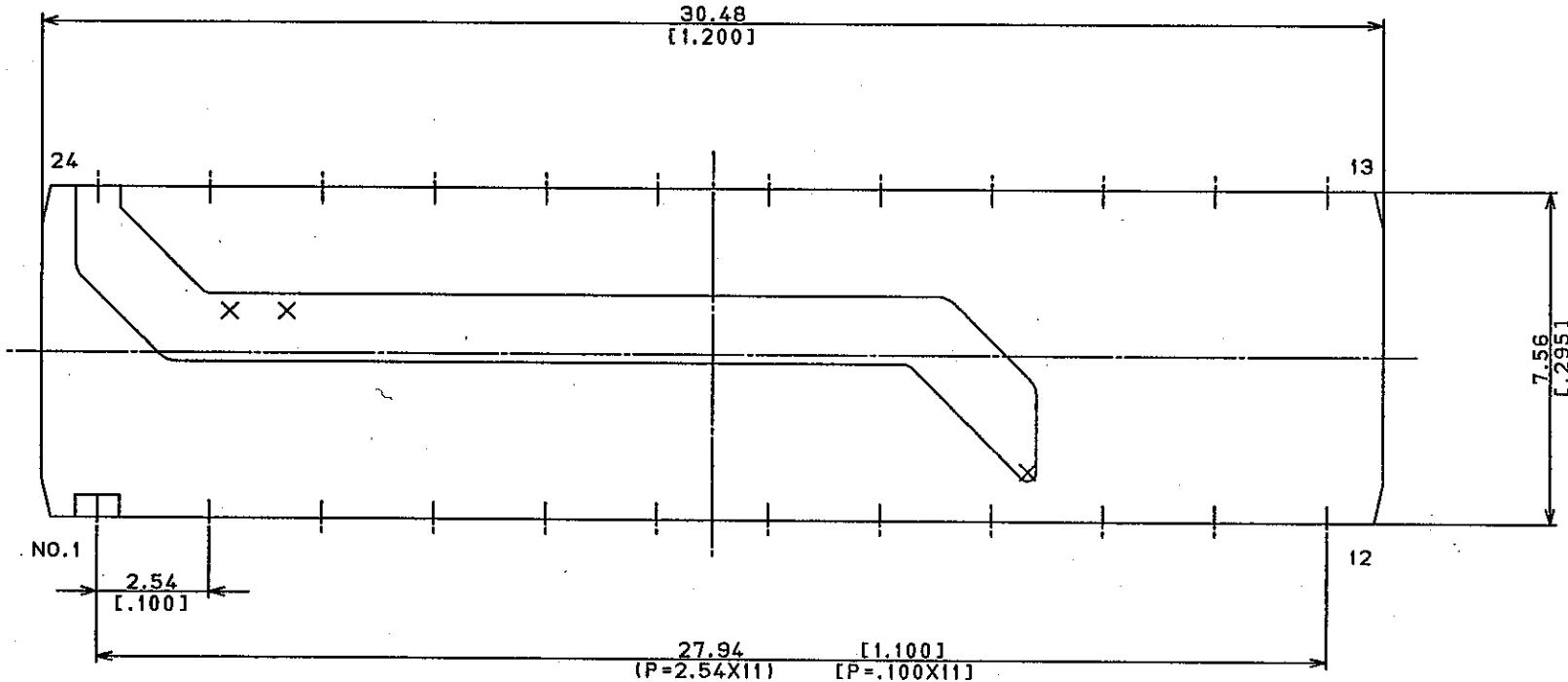


MODIFIED DWG NO.

DESCRIPTION	DRAWN	Y. SUZUKI	NEW DRAWING	MAY-01-2002
FILE NAME	CHECKED	S. MAEHARA	Rev	Description
CUSTOMER	APPROVED	J. WASHINO	Date	
DWG NO.	UNIT	MM (INCH)	DWG NO.	SIZE
56C2561C	SCALE	/	P-IDK-6868A-2	A3 (C)

PART No. SHEET OF

*F/S*



NEW DRAWING MAY-01-2002

DESCRIPTION	DRAWN	Y. SUZUKI	NTK TECHNICAL CERAMICS
FILE NAME	CHECKED	S. MAEHARA	NGK SPARK PLUG CO., LTD.
CUSTOMER	APPROVED	J. WASHINO	UNDER D/A PATTERN
DWG NO.	UNIT	MM (INCH)	DWG NO.
56C2561C	SCALE	/	P-IDK-6868A-1

MODIFIED DWG NO.