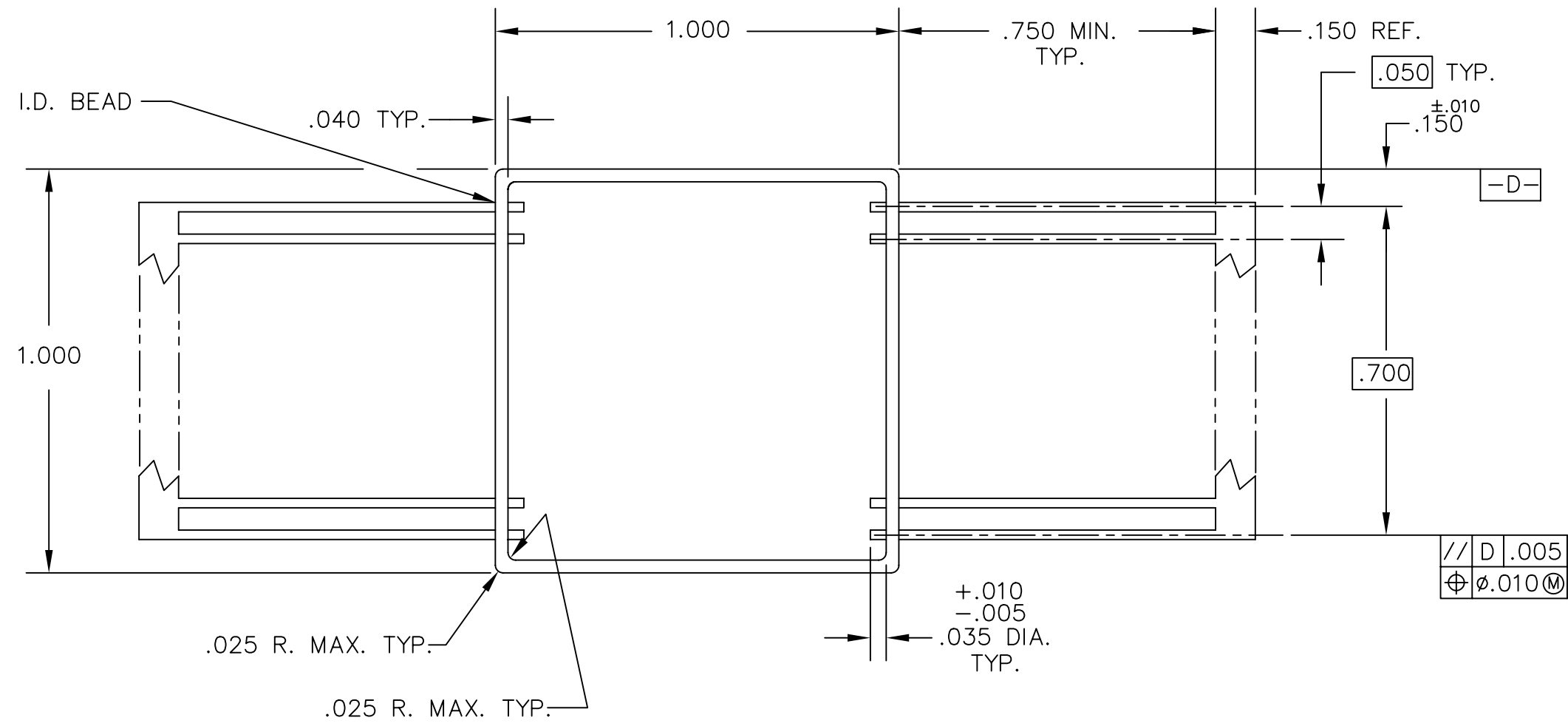
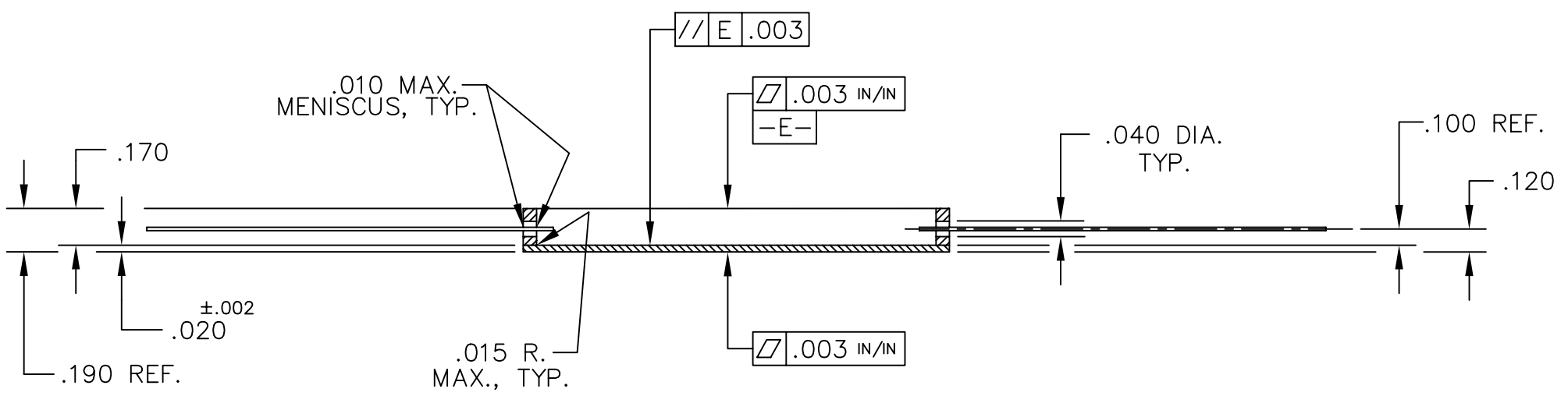
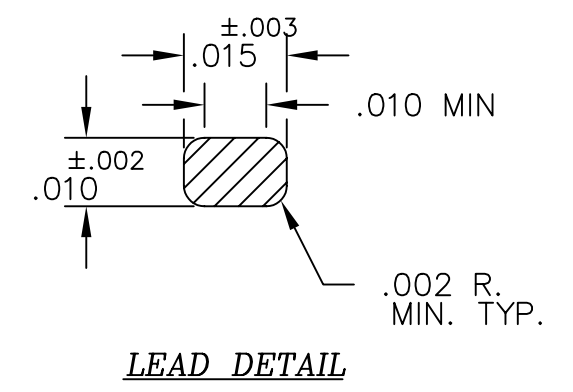


REV	OACN#	APPROVED INITS	DATE
A	431-98	WGF	



NOTES:  
1. MATERIAL: ASTM F-15 ALLOY



PLATING REQUIREMENTS				METRIC UNITS ARE IN BRACKETS		
	BODY / FRAME			LEADS		
	THICKNESS	TYPE	PER SPEC	THICKNESS	TYPE	PER SPEC
NICKEL	150-300 μ" [ 3.81-7.62 μm]	ELECTROLESS	MIL-C-26074E	150-300 μ" [ 3.81-7.62 μm]	ELECTROLESS	MIL-C-26074E
GOLD	μ" [ μm]	ELECTROLYTIC	MIL-G-45204C TYPE III, GRADE A	50 MIN. μ" [ 1.27 MIN. μm]	ELECTROLYTIC	MIL-G-45204C TYPE III, GRADE A

UNLESS OTHERWISE SPECIFIED DIMENSIONS ARE IN INCHES		<b>Aegis</b>		50 WELBY ROAD NEW BEDFORD, MA. 02745	
TOLERANCES:		DRAWN BY	MS	2/5/94	DWG NAME
2 PLACE DECIMALS ±	.01	DESIGN ENG	MS	2/5/94	<b>FLATPACK MULTI-PIECE</b>
3 PLACE DECIMALS ±	.005	CHECKED BY	-	-	
ANGLES ±	1°				<b>FM100100EA177</b>
FRACTIONS ±	1/32				CAGE CODE
SURFACE FINISH (MAXIMUM)	63 ✓	MATERIAL: NOTED			<b>OJ7H2</b>
					SIZE
					<b>B</b>
					SHEET 1 OF 1