

VIEW "P"

⊥ A	.006 (0.15)
-----	----------------

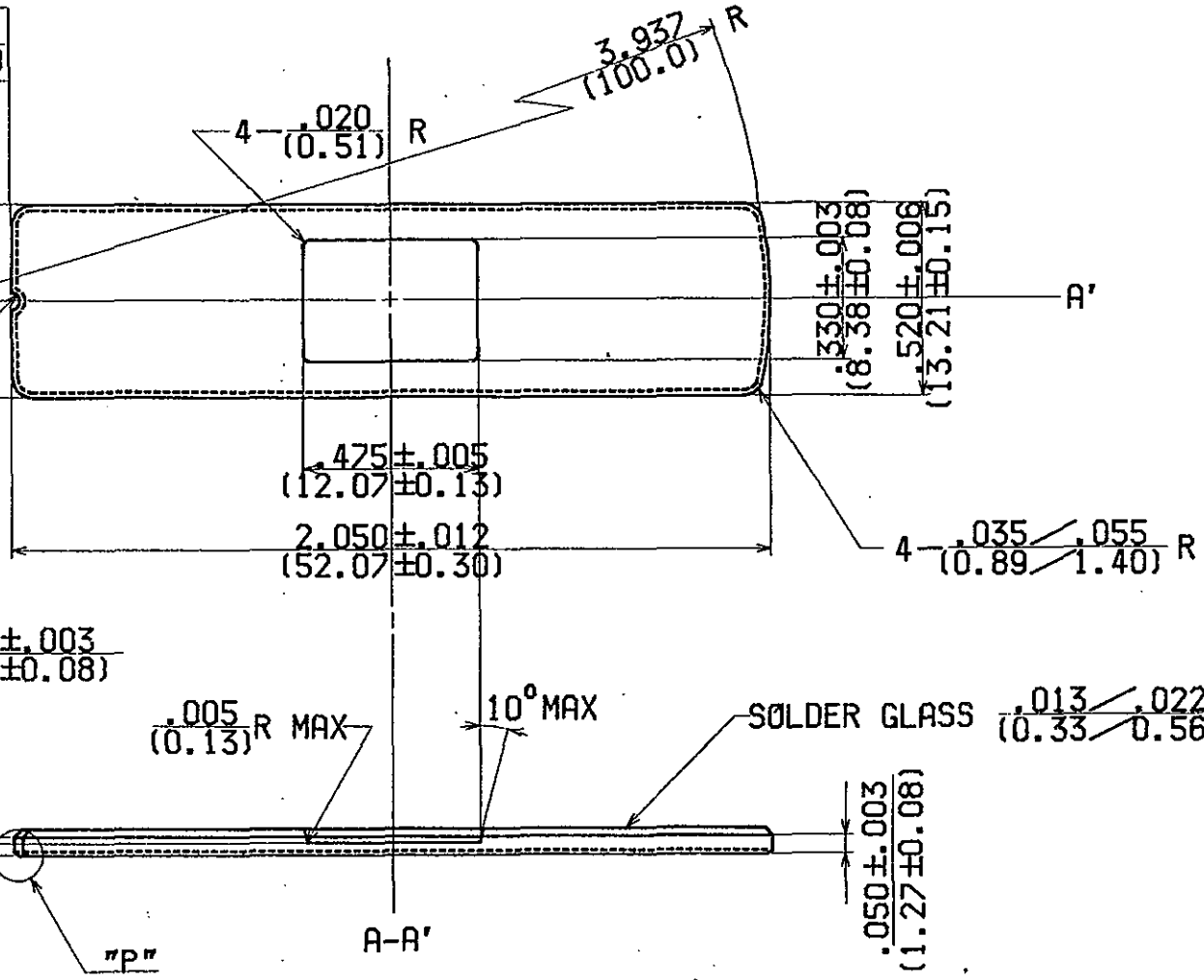
-A-	
-	.006 (0.15)

A	.006 (0.15)
---	----------------

-B-	
-	.004 (0.10)

-	.003 (0.08)
---	----------------

B	.004 (0.10)
---	----------------



INCH
(mm)

MODIFICATIONS	NAME 40MSI chip free CAP 520 (330X475)		TOLERANCES: UNLESS OTHERWISE SPECIFIED ... X X X X ... X X X X	DRAWN <i>[Signature]</i>	CHECKED <i>[Signature]</i>
	SCALE 2 : 1	MATERIAL BLACK ALUMINA LOW α		APPROVED <i>[Signature]</i>	DATE SEP. 11 '84
	KYOCERA CORPORATION		KYOTO JAPAN	DWG. No. BCF-04008	