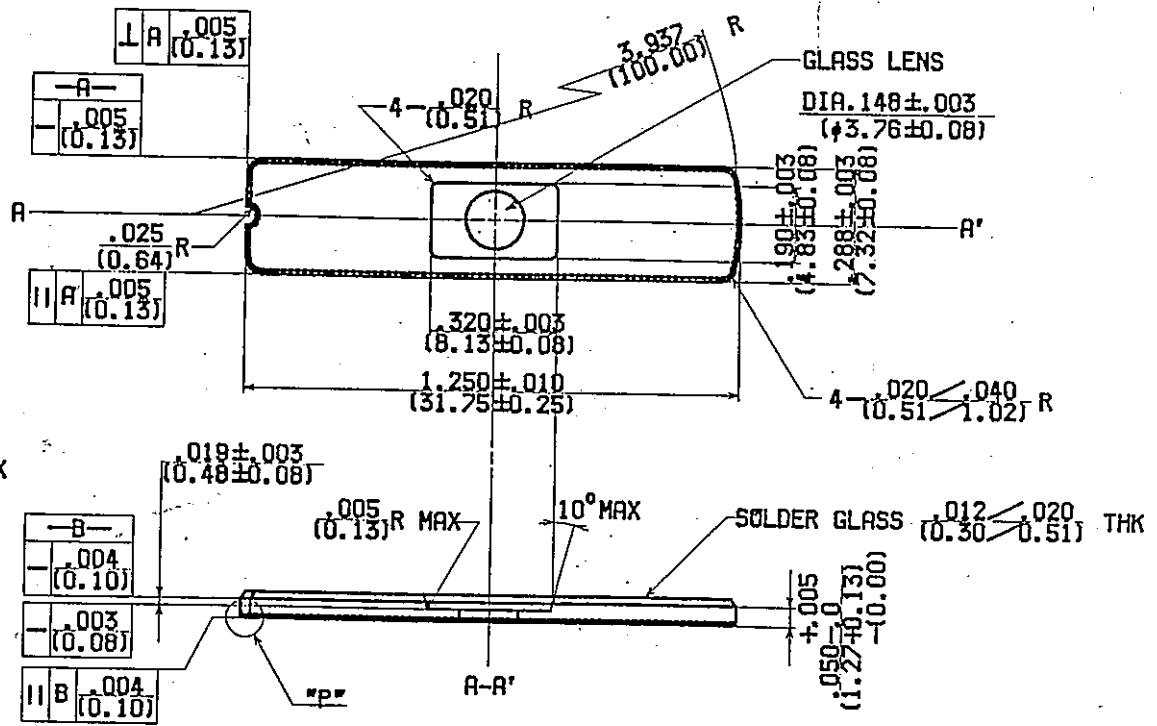


VIEW "P"



MODIFICATIONS

NAME	
24MSI C/F EPROM C/P 288 ^φ 148 (190X320)	
SCALE	MATERIAL
DO NOT SCALE	BLACK ALUMINA LOW α

TOLERANCES:
UNLESS OTHERWISE SPECIFIED
. XX ±
. XXX ±

DRAWN	CHECKED
<i>[Signature]</i>	<i>[Signature]</i>
APPROVED	DATE
<i>[Signature]</i>	NOV. 27 '88



KYOCERA CORPORATION

KYOTO JAPAN

DWG. No.

BCF-02417

INCH
(mm)