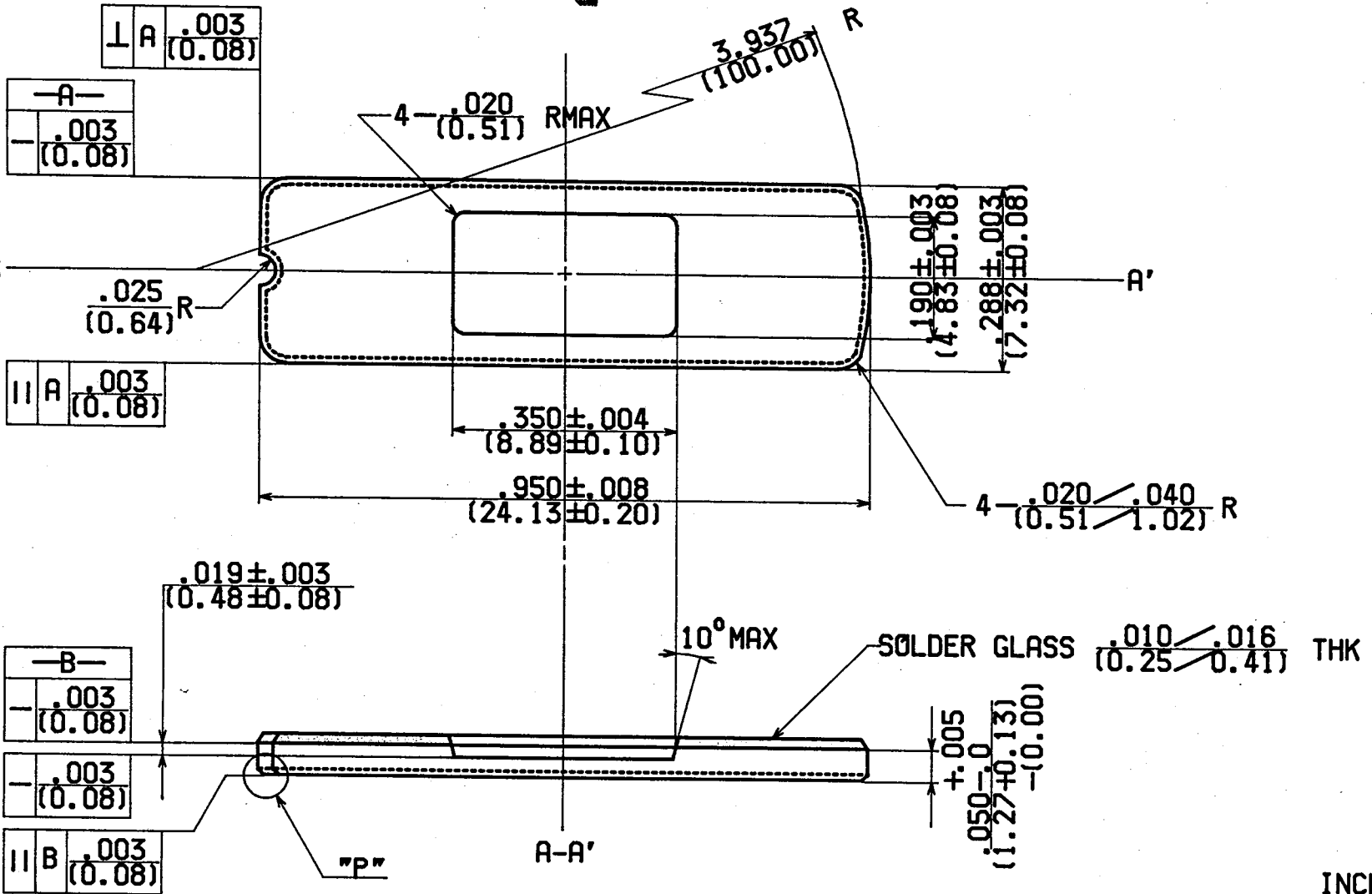


VIEW "P"



INCH
(mm)

MODIFICATIONS	NAME		TOLERANCES: UNLESS OTHERWISE SPECIFIED ± ±	DRAWN	CHECKED
	20LSI C/F CAP 288 (190X350)			 APPROVED	 DATE
	SCALE	MATERIAL	AUG. 05 '87		
	4 : 1	Al ₂ O ₃ 90%MIN (BLACK)	KYOCERA CORPORATION KYOTO JAPAN DWG. No. BCF-02035		