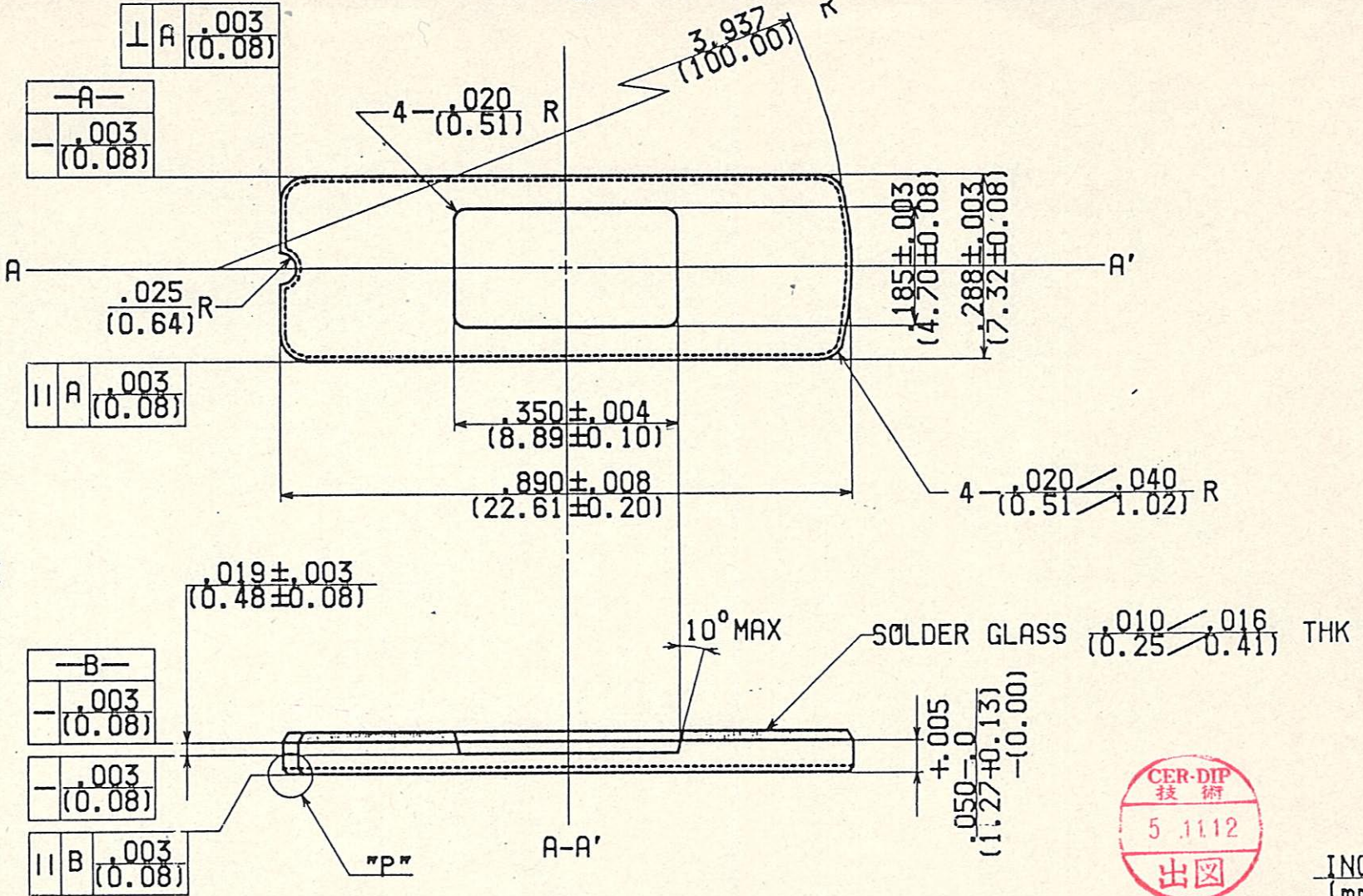


VIEW "P"



INCH
(mm)

MODIFICATIONS

NAME 18LSI C/F CAP 288 (185X350)	
SCALE 4 : 1	MATERIAL BLACK ALUMINA LOW α

TOLERANCES: UNLESS OTHERWISE SPECIFIED ± ±

DRAWN <i>K. Kawaguchi</i>	CHECKED <i>[Signature]</i>
APPROVED <i>[Signature]</i>	DATE JUN.08'87

KYOCERA CORPORATION
KYOTO
JAPAN

DWG. No
BCF-01831