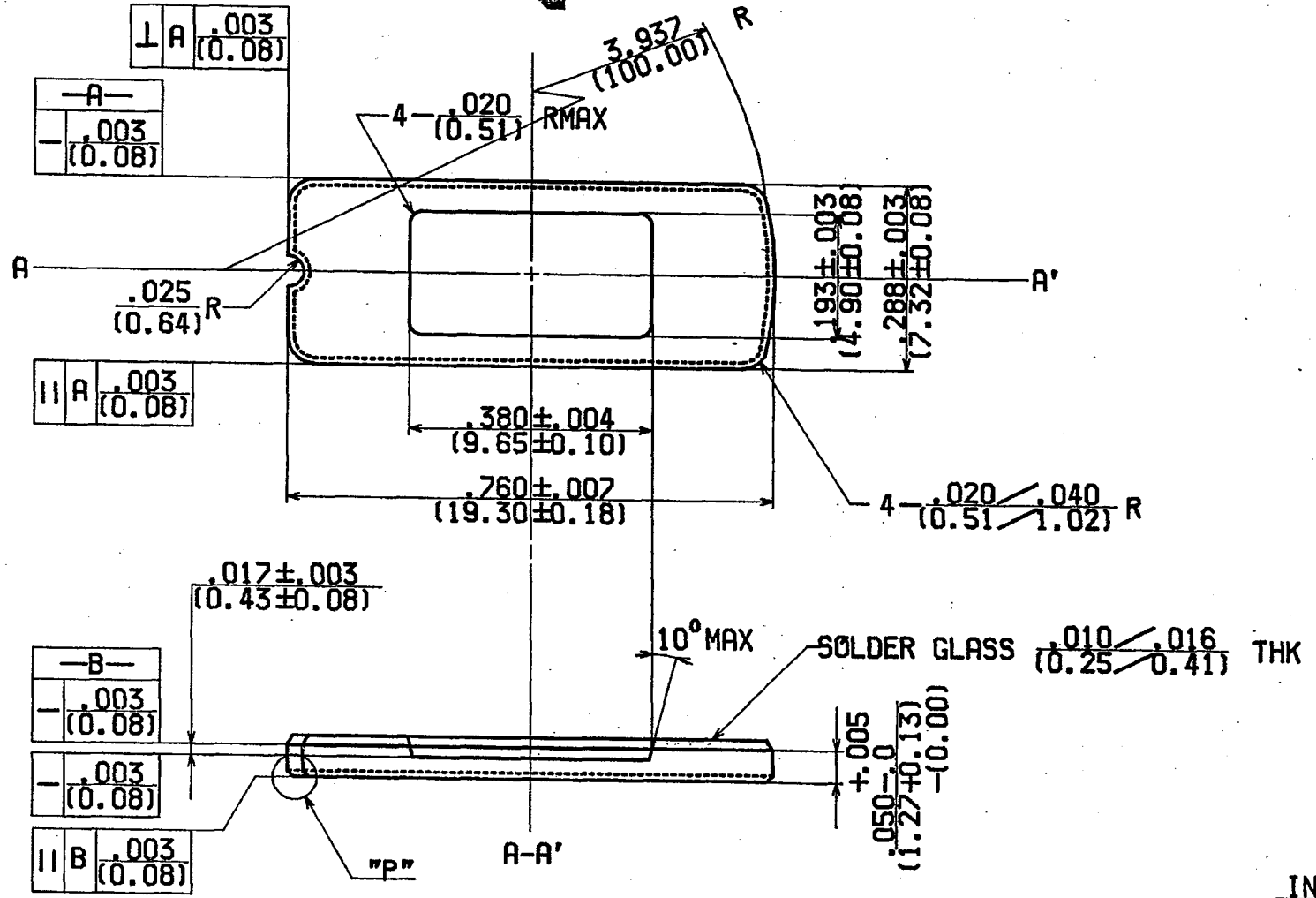


VIEW "P"



INCH  
(mm)

MODIFICATIONS	NAME <b>16LSI C/F CAP 288 (193X380)</b>		TOLERANCES: UNLESS OTHERWISE SPECIFIED . XX ± . XXX ±	DRAWN	CHECKED
	SCALE <b>4 : 1</b>	MATERIAL <b>BLACK ALUMINA LOW α</b>		<i>H. Kawaguchi</i>	
	<b>KYOCERA CORPORATION</b> <b>KYOTO JAPAN</b>		DWG. No. <b>BCF-01665</b>	APPROVED	DATE
				<i>H. Jm</i> <b>JUN. 10' 87</b>	