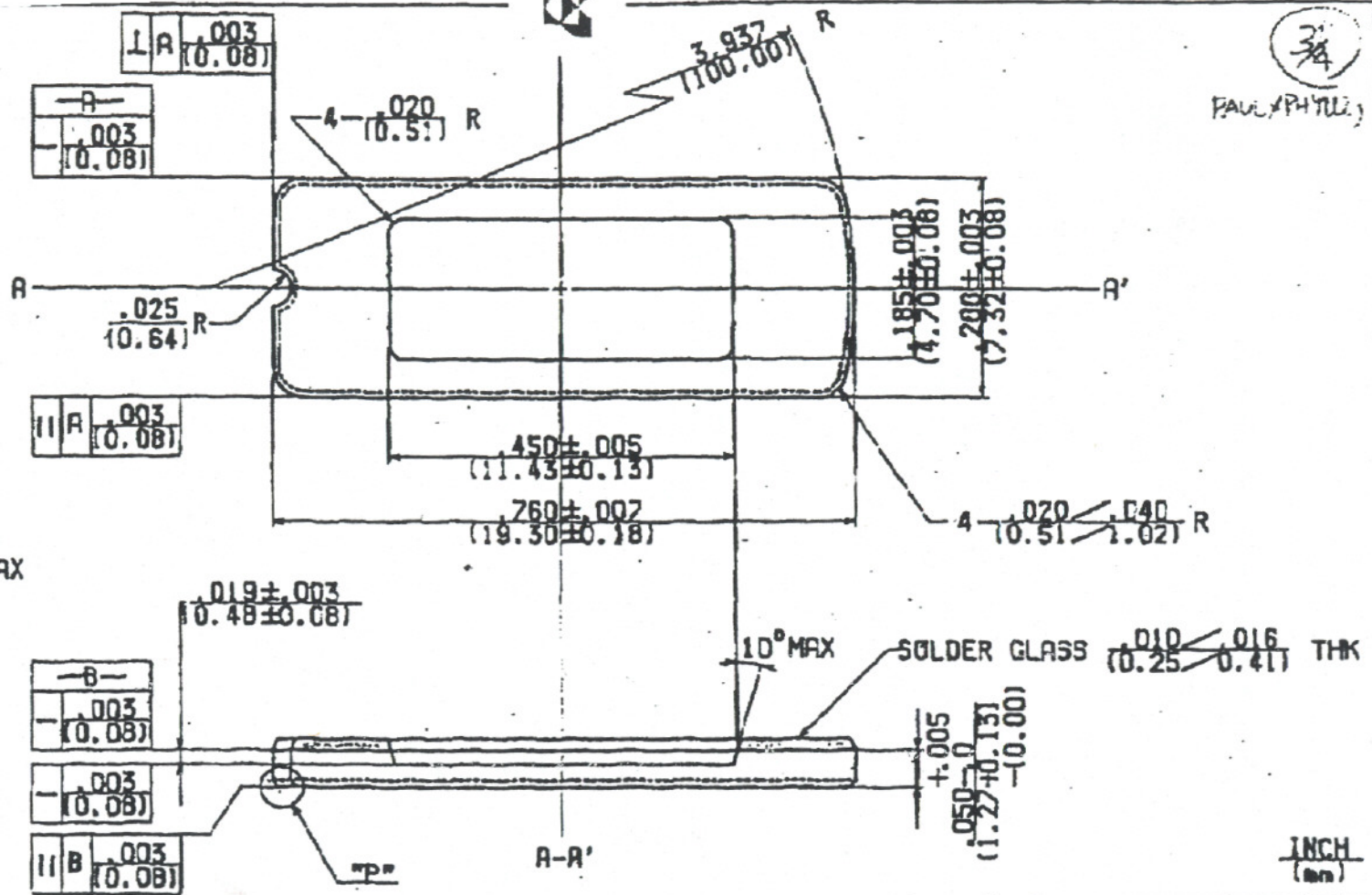
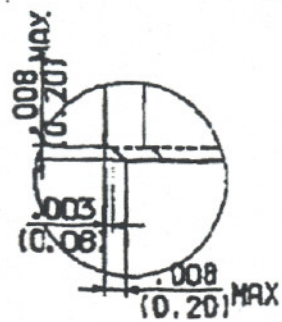


3/4

PAUL APHILLI



KYOCERA CORPORATION	NAME 16SI C/F COP 288 (165X450)	TOLERANCES: DIMENSIONS IN PARENTHESES XX ± XXX ±	DRAWN <i>H. Haraguchi</i>	CHECKED <i>H. Haraguchi</i>
	SCALE MATERIAL 5 : 1 BLACK ALUMINA LOW α		APPROVED <i>H. Haraguchi</i>	DATE JUN. 08 '87
	KYOCERA CORPORATION KYOTC JAPAN	FIG. No. BCF-01643		