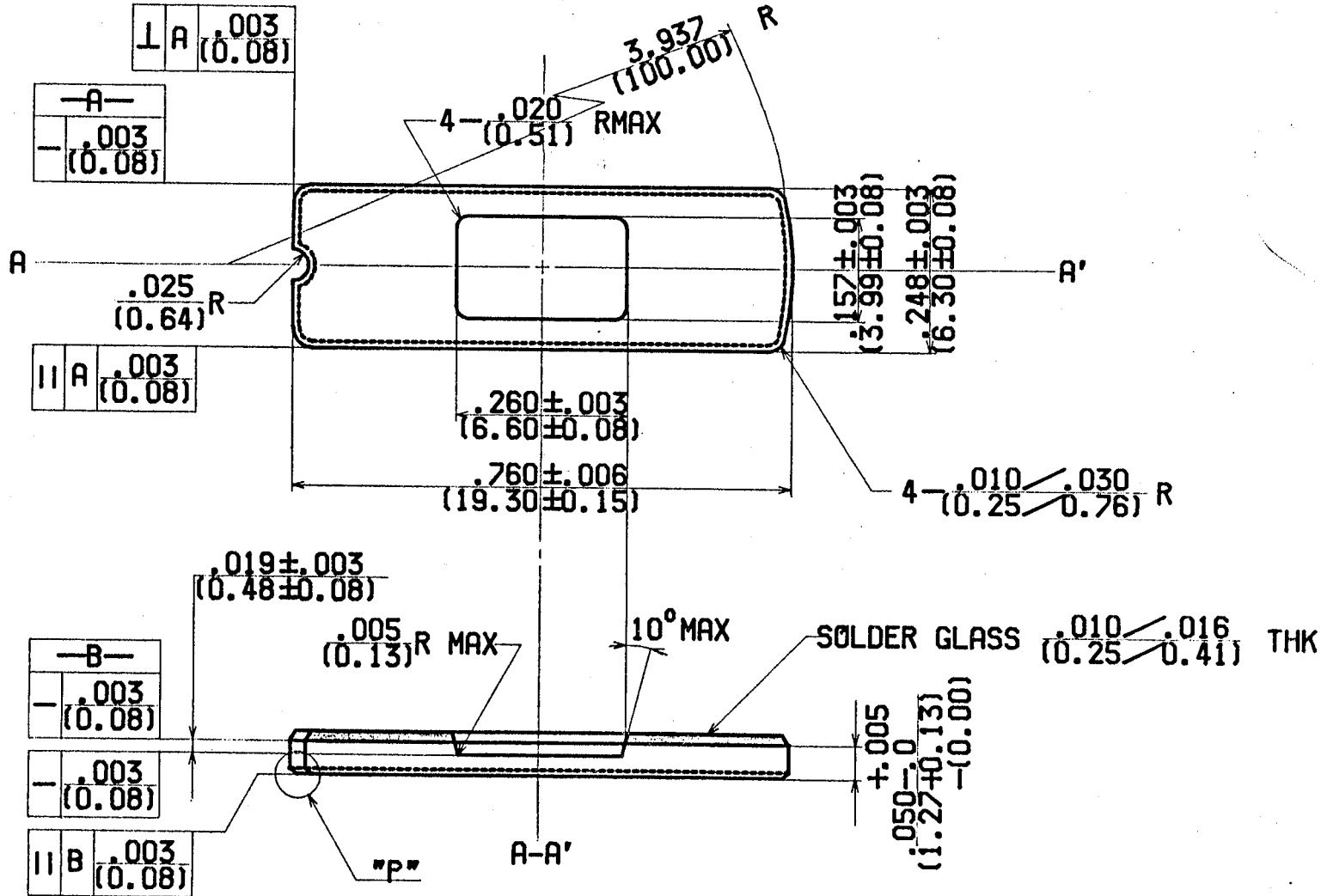


VIEW "P"



L A	.003 (0.08)
-A-	
	.003 (0.08)

II A	.003 (0.08)
------	----------------

-B-	
	.003 (0.08)

	.003 (0.08)
--	----------------

II B	.003 (0.08)
------	----------------

INCH
(mm)

MODIFICATIONS

NAME

14/16SSI C/F CAP 248 (157X260)

SCALE

MATERIAL

4 : 1

Al₂O₃ 90%MIN (BLACK)

TOLERANCES:

UNLESS OTHERWISE SPECIFIED,

. ±
. ±

DRAWN

CHECKED

[Signature]

[Signature]

APPROVED

DATE

[Signature]

DEC. 08 '88



KYOCERA CORPORATION

KYOTO
JAPAN

DWG. No.

BCF-01416