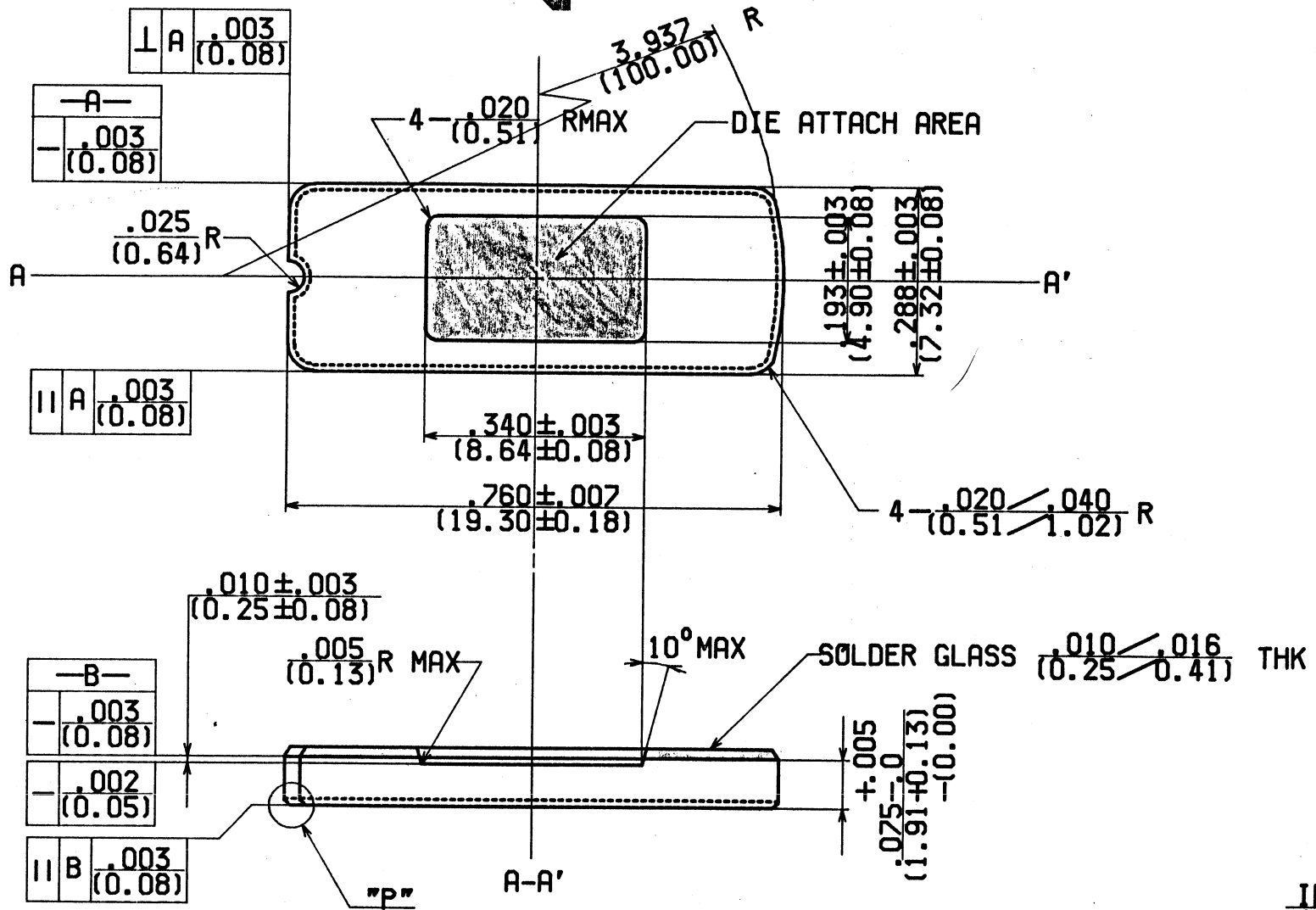


VIEW "P"



INCH
(mm)

MODIFICATIONS

MODIFICATIONS	NAME		TOLERANCES: UNLESS OTHERWISE SPECIFIED . × × ± . × × × ±	DRAWN	CHECKED
	16LSI C/F BASE 288 CAV10 (193X340)			 APPROVED DATE	
	SCALE	MATERIAL	 JUN. 10' 87		
	4 : 1	BLACK ALUMINA LOW α	KYOCERA CORPORATION	KYOTO JAPAN	DWG. No.