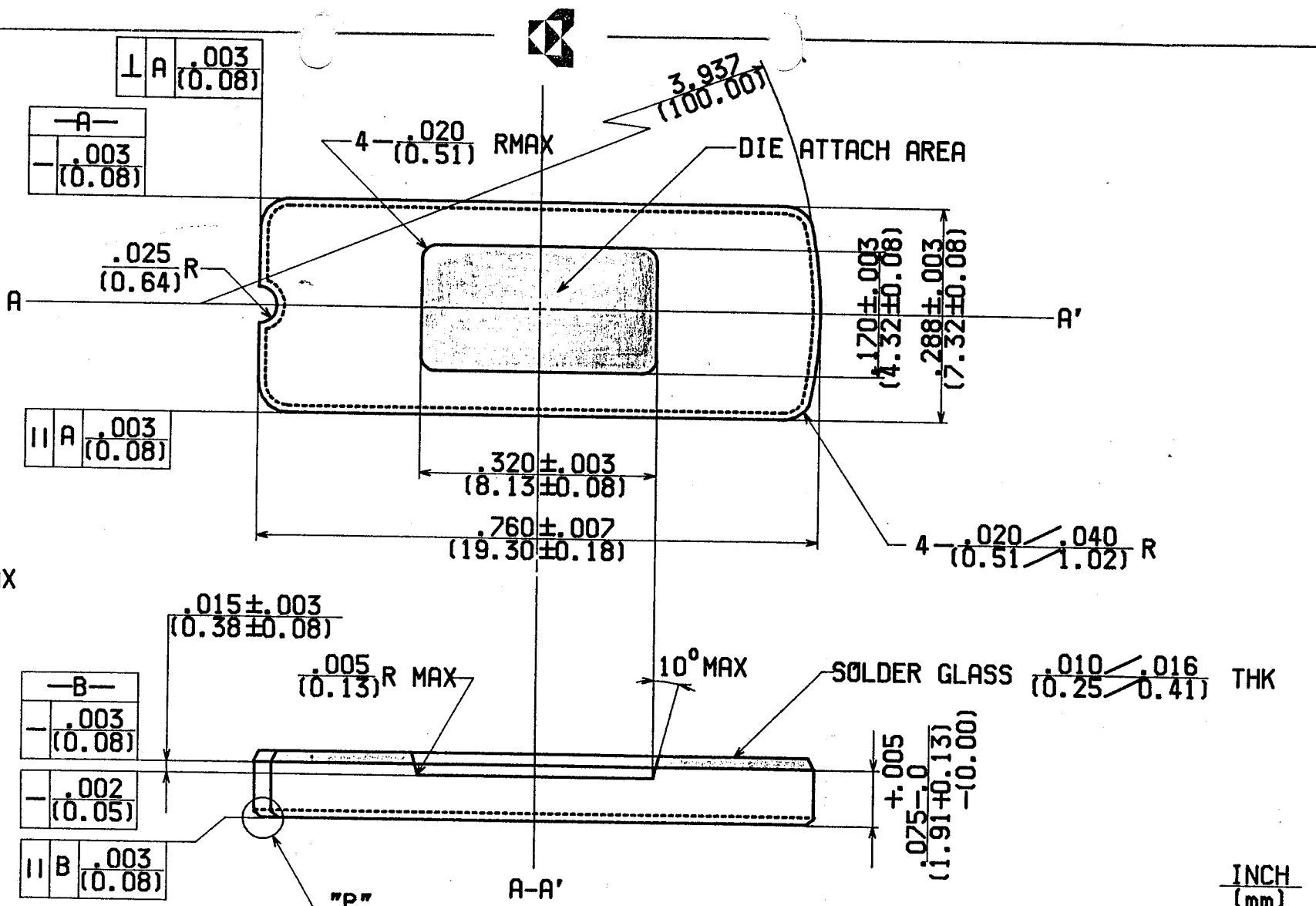


VIEW "P"



L	A	.003
		(0.08)

-A-		
		.003
		(0.08)

II	A	.003
		(0.08)

-B-		
		.003
		(0.08)

		.002
		(0.05)

II	B	.003
		(0.08)

MODIFICATIONS

NAME	
16LSI C/F BASE 288 (170X320)	
SCALE	MATERIAL
5 : 1	BLACK ALUMINA LOW α
KYOCERA CORPORATION	
KYOTO JAPAN	

TOLERANCES:
UNLESS OTHERWISE SPECIFIED
. xx ±
. xxx ±
DWG. No.
BBF-01672

DRAWN	CHECKED
<i>[Signature]</i>	
APPROVED	DATE
	JUL. 16'87

INCH
(mm)