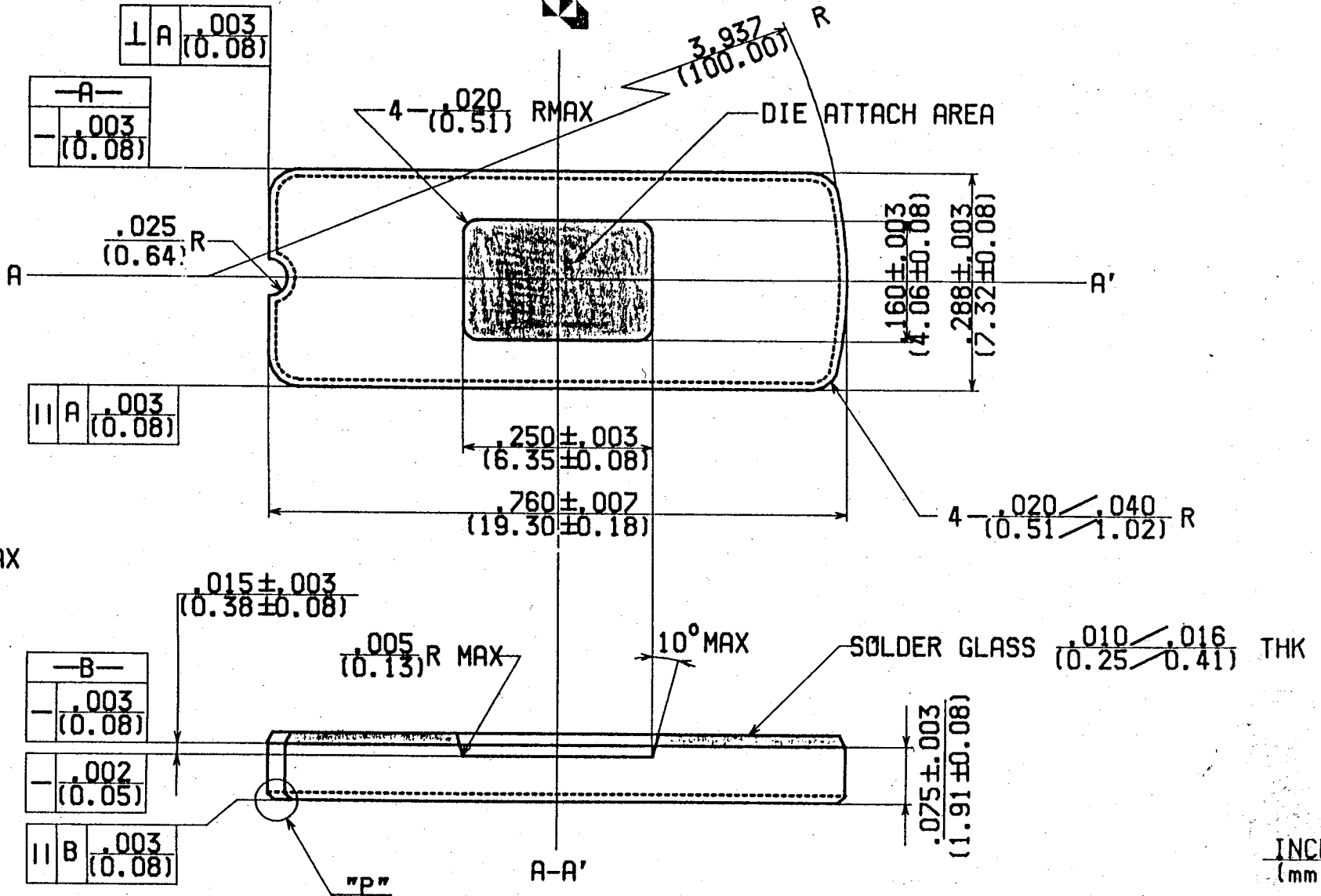


VIEW "P"



L A	.003 (0.08)
-----	----------------

-A-	.003 (0.08)
-----	----------------

A	.003 (0.08)
---	----------------

-B-	.003 (0.08)
-----	----------------

-	.002 (0.05)
---	----------------

B	.003 (0.08)
---	----------------

MODIFICATIONS

NAME 16LSI C/F BASE 288 (160X250)	
SCALE 5 : 1	MATERIAL BLACK ALUMINA LOW α

TOLERANCES: UNLESS OTHERWISE SPECIFIED . xx ± . xxx ±
--

DRAWN <i>K. Kawaguchi</i>	CHECKED <i>[Signature]</i>
APPROVED <i>[Signature]</i>	DATE JUN. 08 '87

KYOCERA CORPORATION KYOTO JAPAN

DWG. No. BBF-01667

INCH  
(mm)